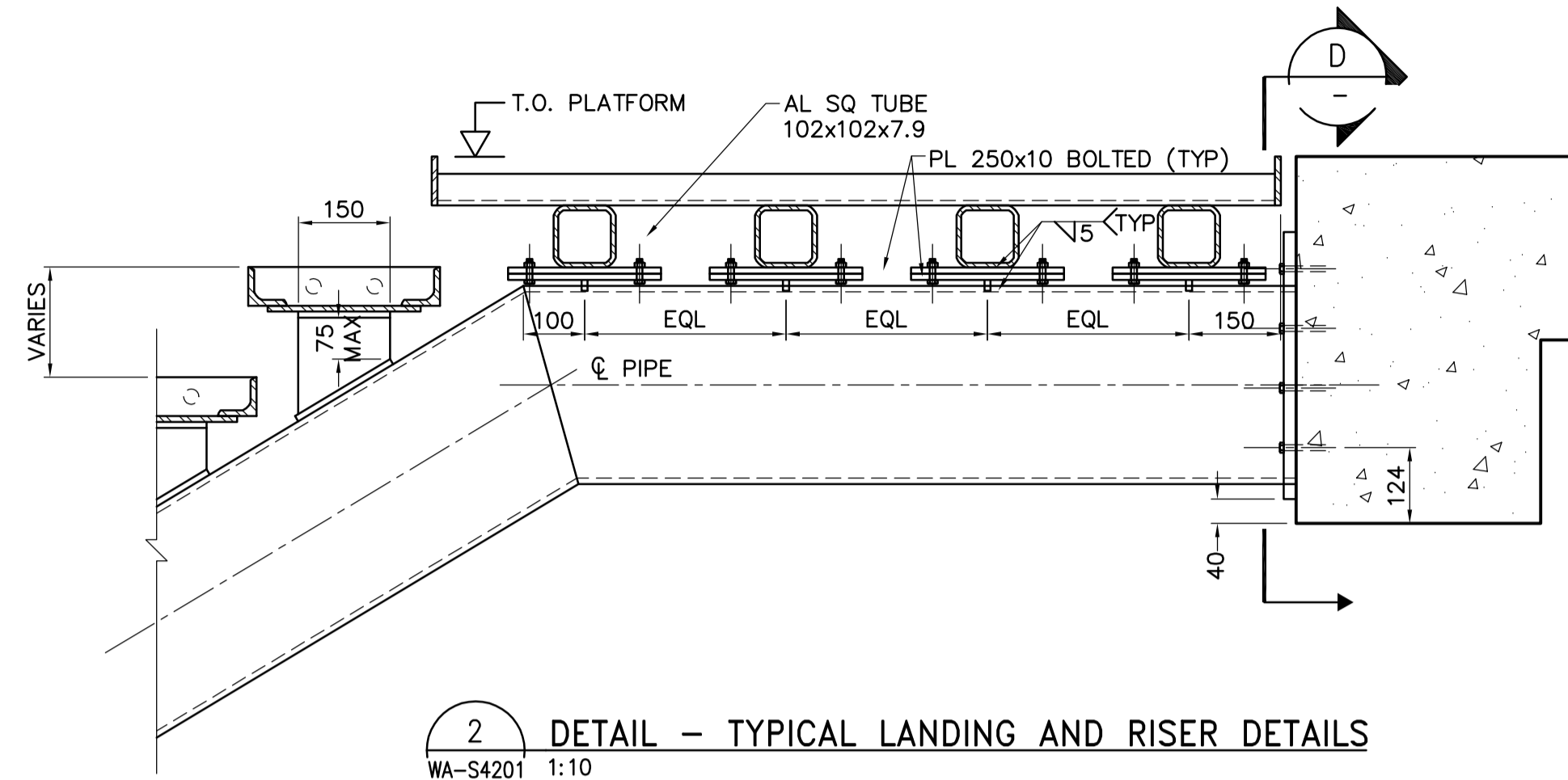
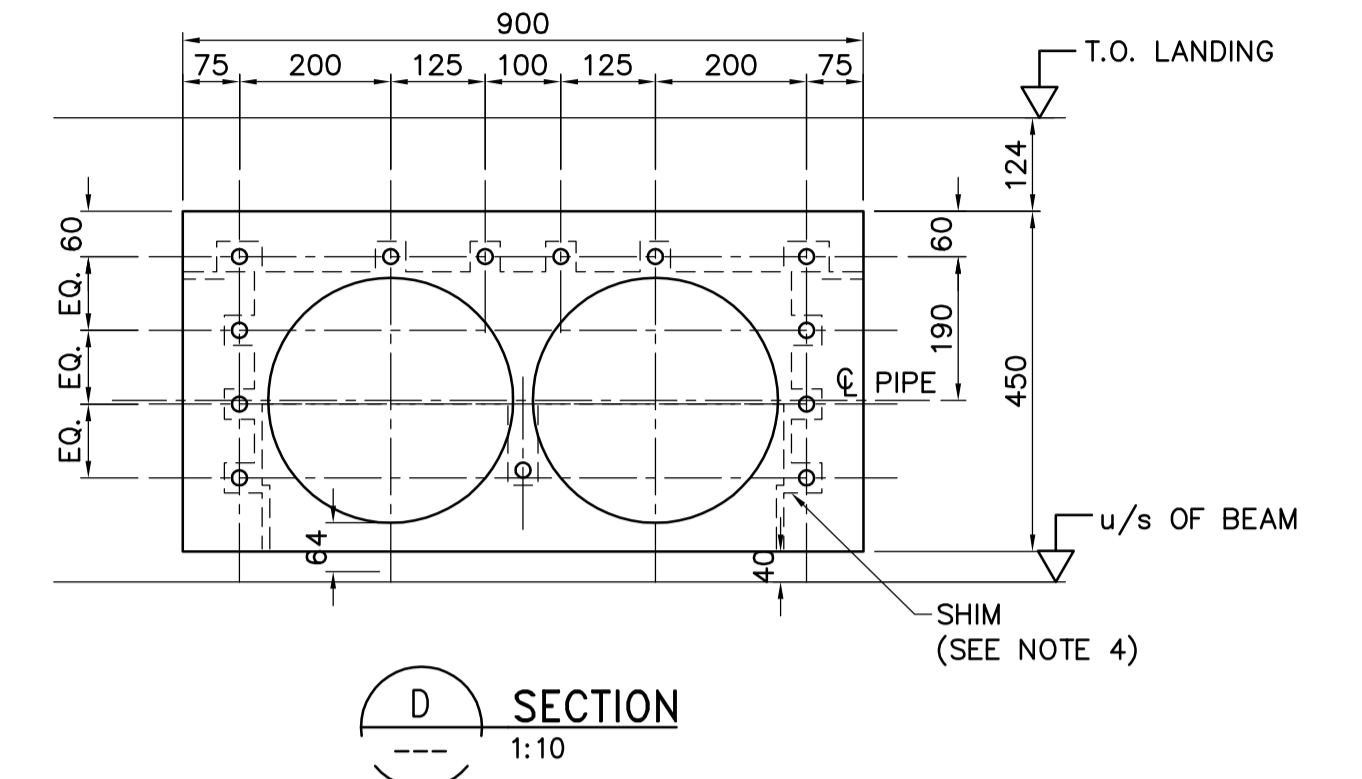


1 DETAIL - TYPICAL LANDING AND RISER DETAILS
WA-S4201 1:10

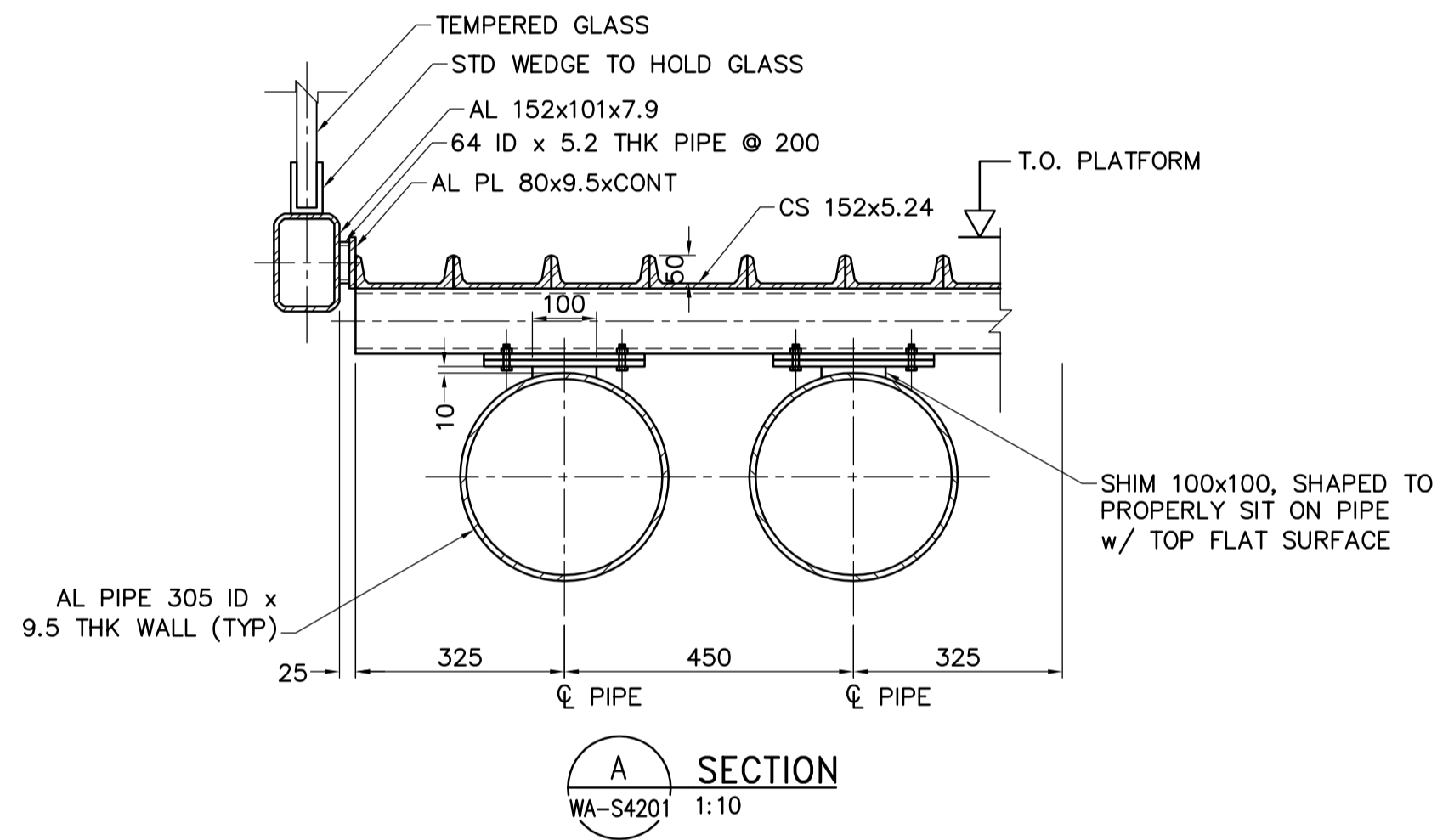


2 DETAIL - TYPICAL LANDING AND RISER DETAILS
WA-S4201 1:10

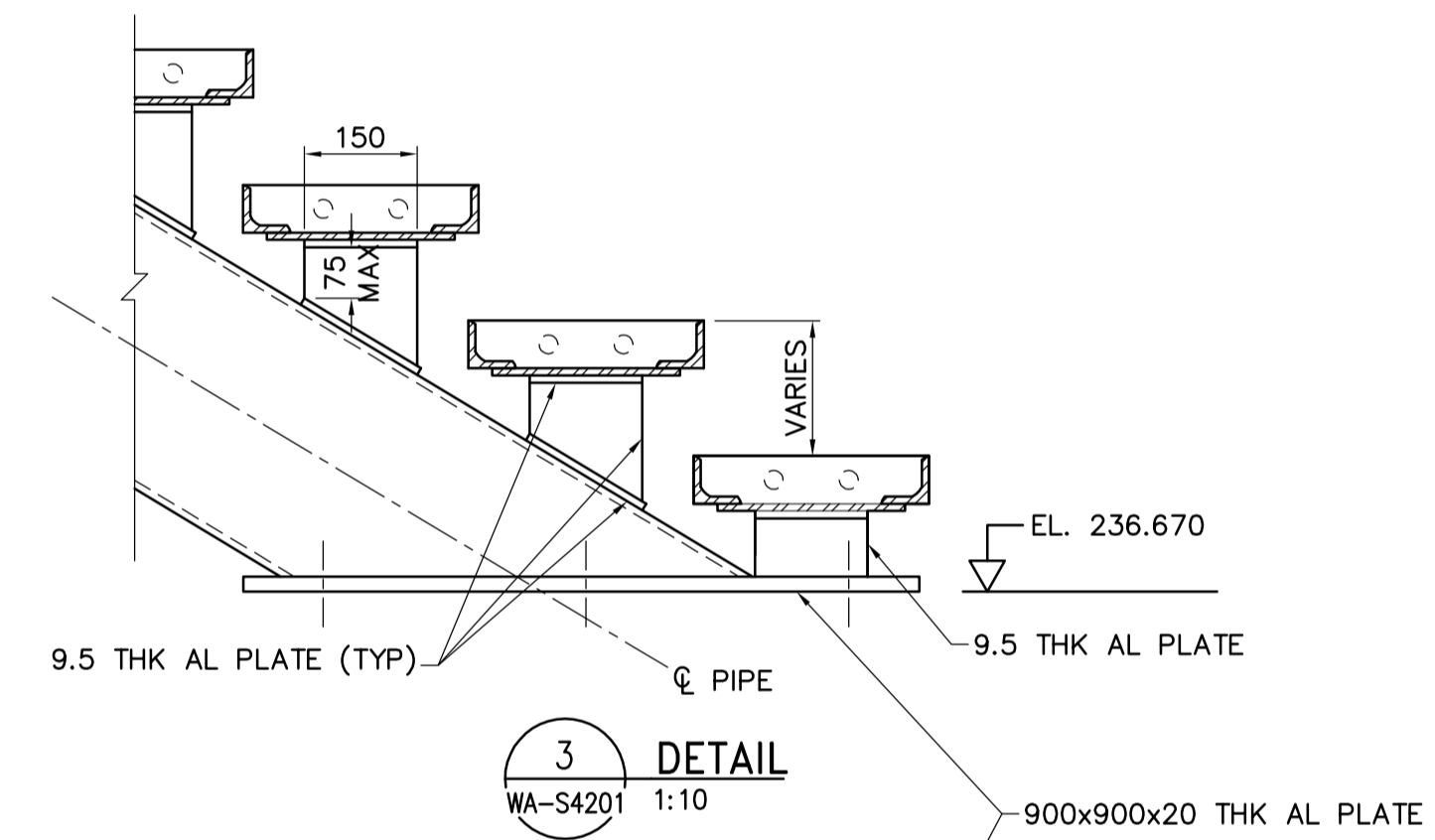


D SECTION
1:10

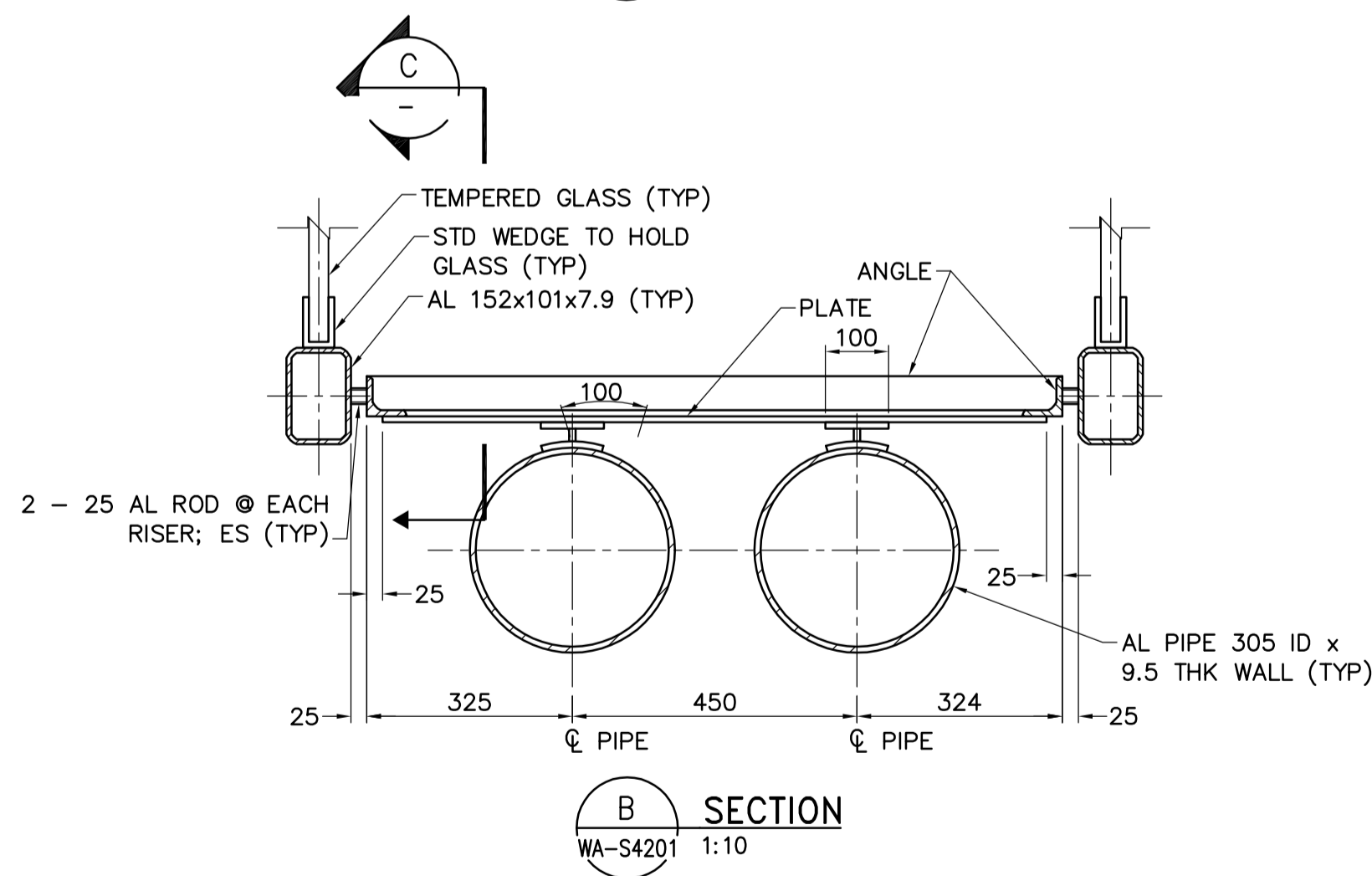
- NOTES:
1. ALL DIMENSIONS ARE IN MILLIMETERS UNLESS NOTED OTHERWISE.
 2. ALL ELEVATIONS ARE IN METERS UNLESS NOTED OTHERWISE.
 3. SITE VERIFY ALL DIMENSIONS PRIOR TO FABRICATION.
 4. USE SHIMS AS REQUIRED BETWEEN CONNECTION PLATE AND CONCRETE. MAX GAP IS 15mm.



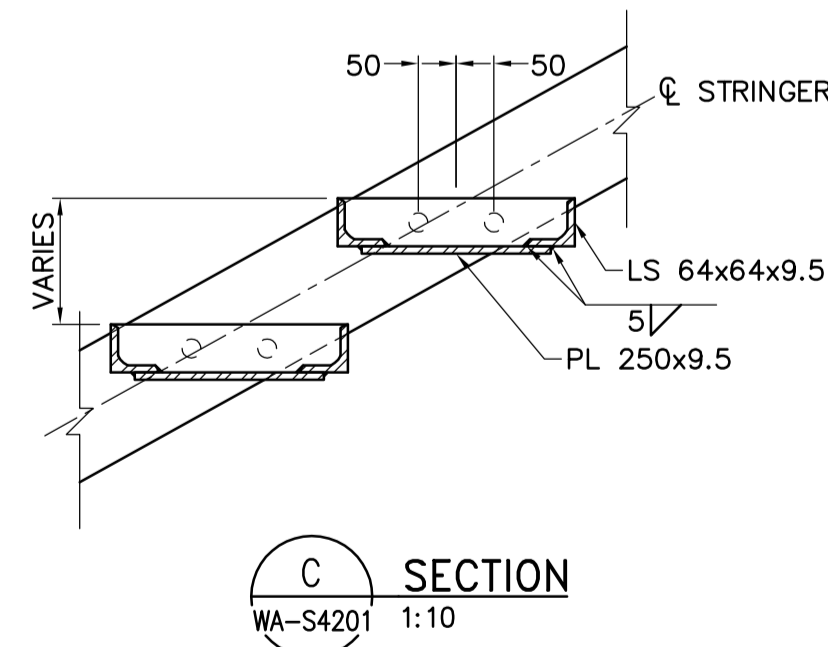
A SECTION
WA-S4201 1:10



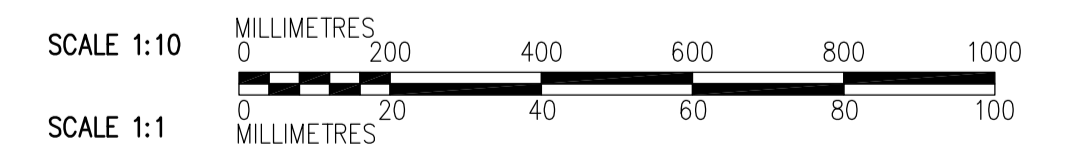
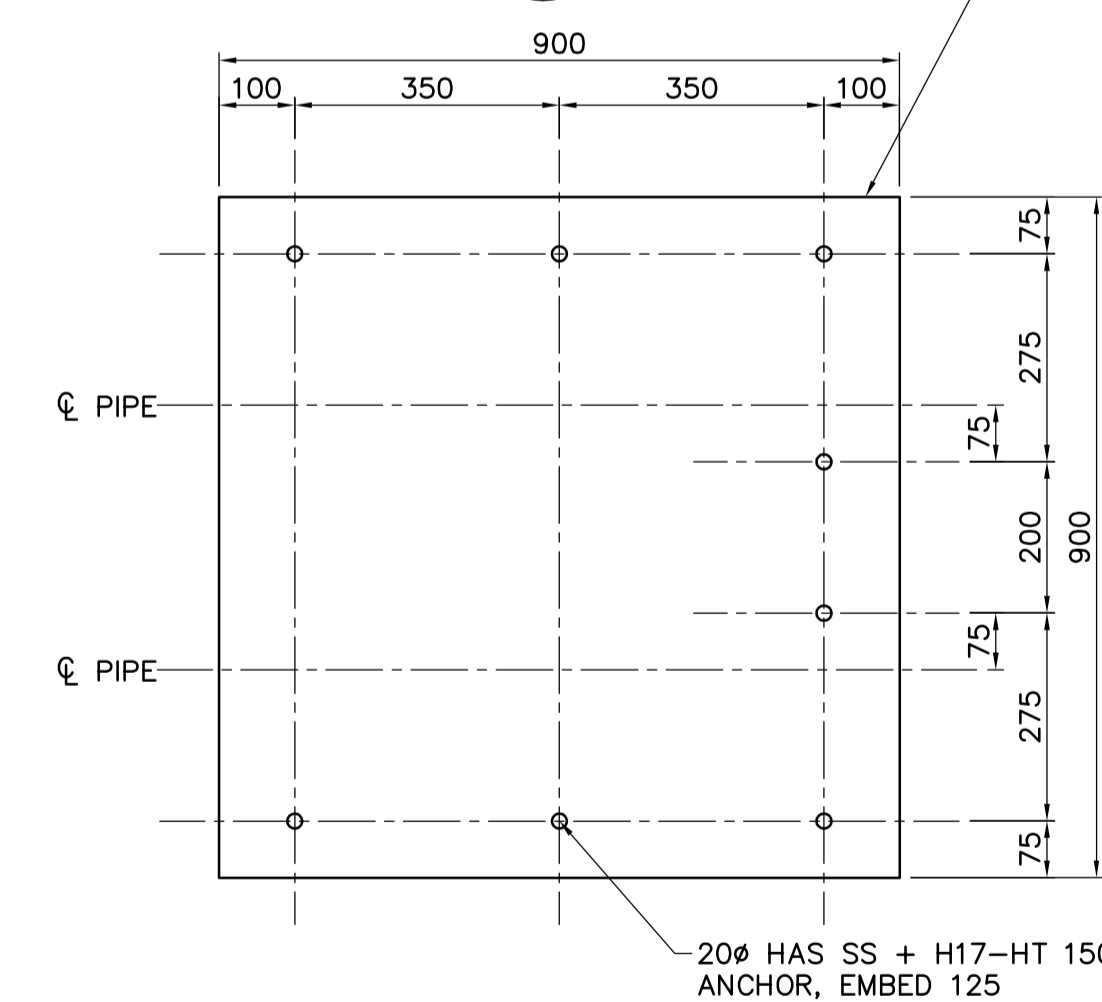
3 DETAIL
WA-S4201 1:10



B SECTION
WA-S4201 1:10



C SECTION
WA-S4201 1:10



 Certificate of Authorization CH2M HILL Canada Ltd. No. 1441 Expiry: April 30, 2008	B.M. ELEV.	 Frederickson Cooper ARCHITECTS	 A Tyco International Ltd. Company	ENGINEER'S SEAL	 THE CITY OF WINNIPEG WATER AND WASTE DEPARTMENT ENGINEERING DIVISION		
				DESIGNED BY EL		CHECKED BY AP	ORIGINAL SIGNED BY C. MILITANO
				DRAWN BY CR		APPROVED BY AHL	2007/06/05
				SCALE: AS NOTED		RELEASED FOR CONSTRUCTION BY: R. SOROKOWSKI	CONSULTANT DRAWING NO. WA-S4203
	00 ISSUED FOR TENDER 07/06/05 EL	DATE 2007/06/05	DATE 2007/05/06		WATER TREATMENT PLANT ADMINISTRATION OFFICE AND PLANT INTERIOR FINISHES		
					STRUCTURAL ADMINISTRATION AREA STAIR DETAILS		
					CITY FILE NUMBER SHEET OF CITY DRAWING NUMBER 1-0601A-A-S4203-001-000		