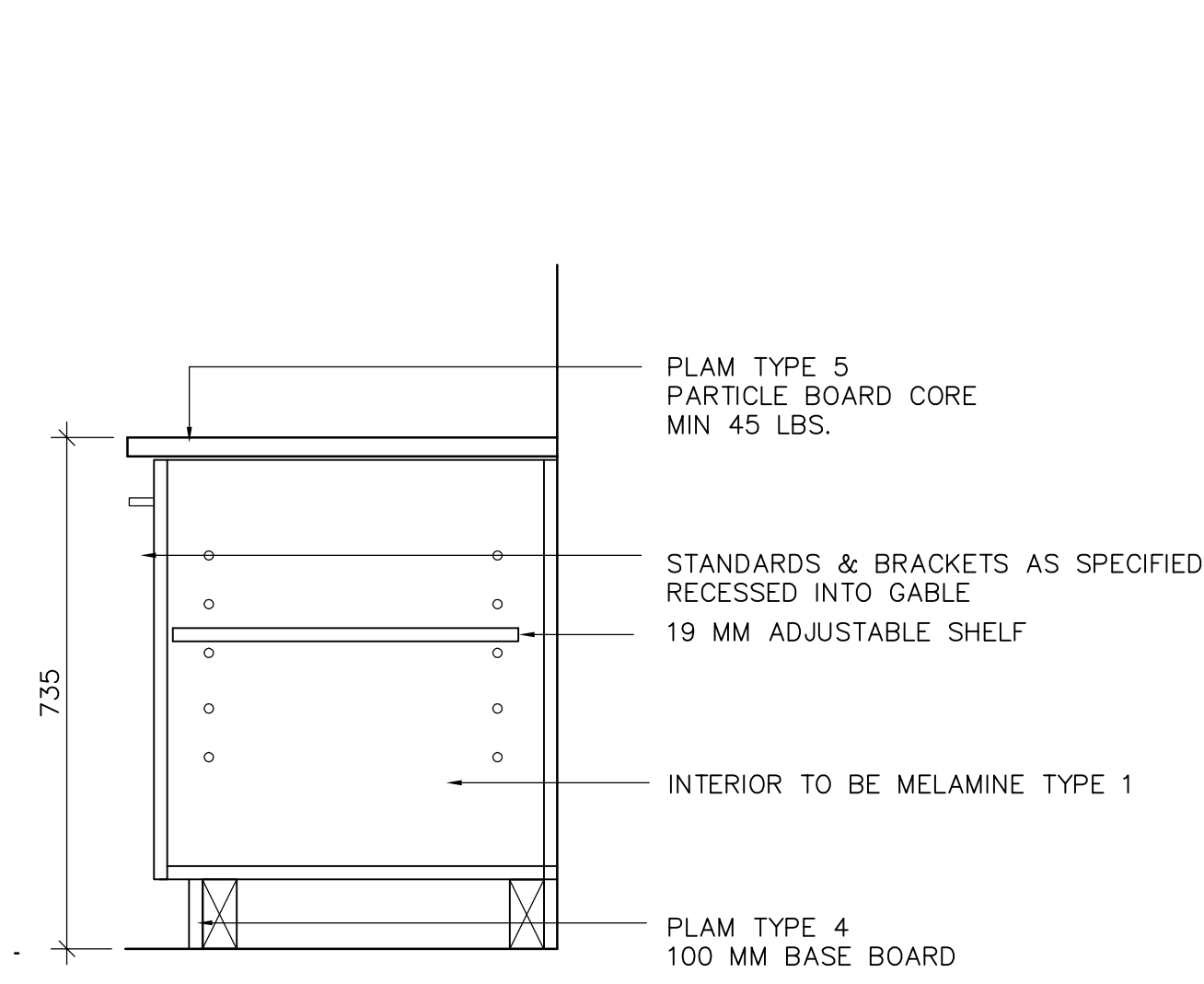
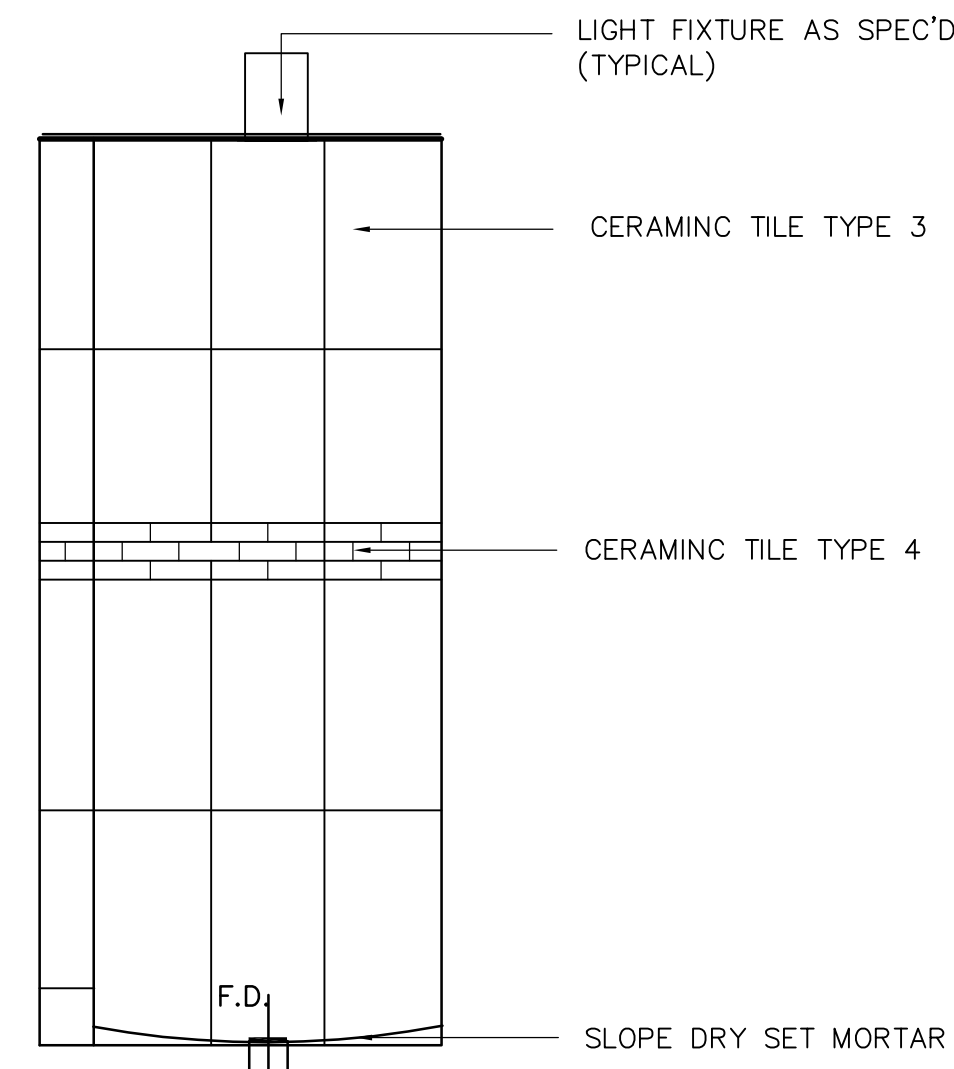


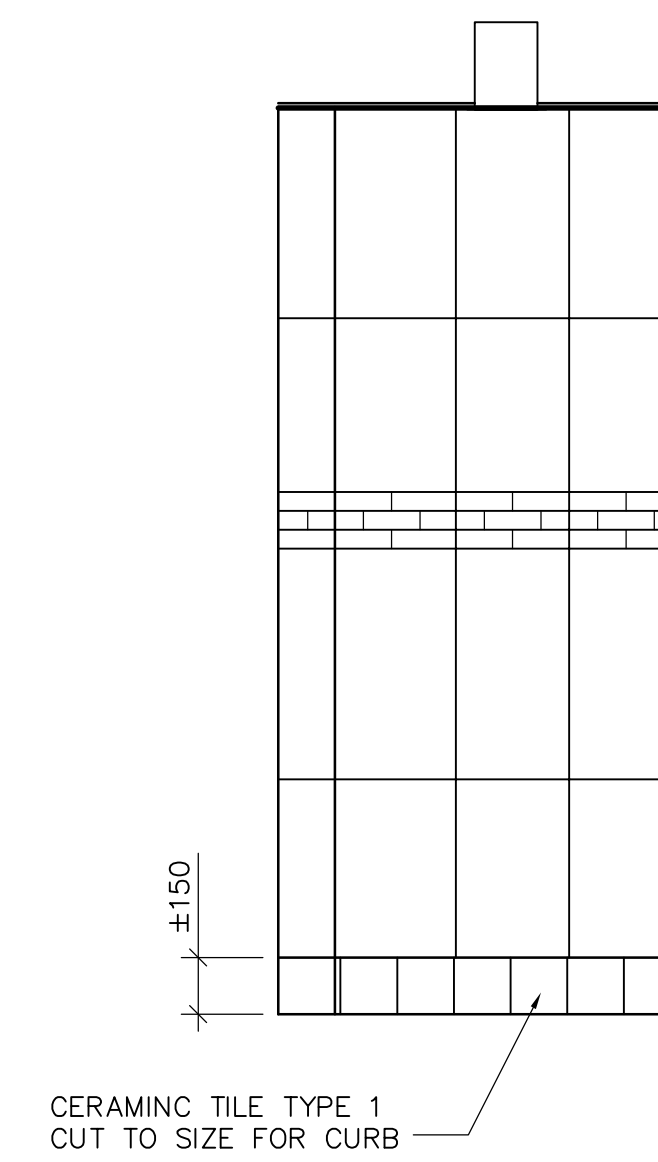
3 CONTROL ROOM 342
WB-B0357 1 : 20



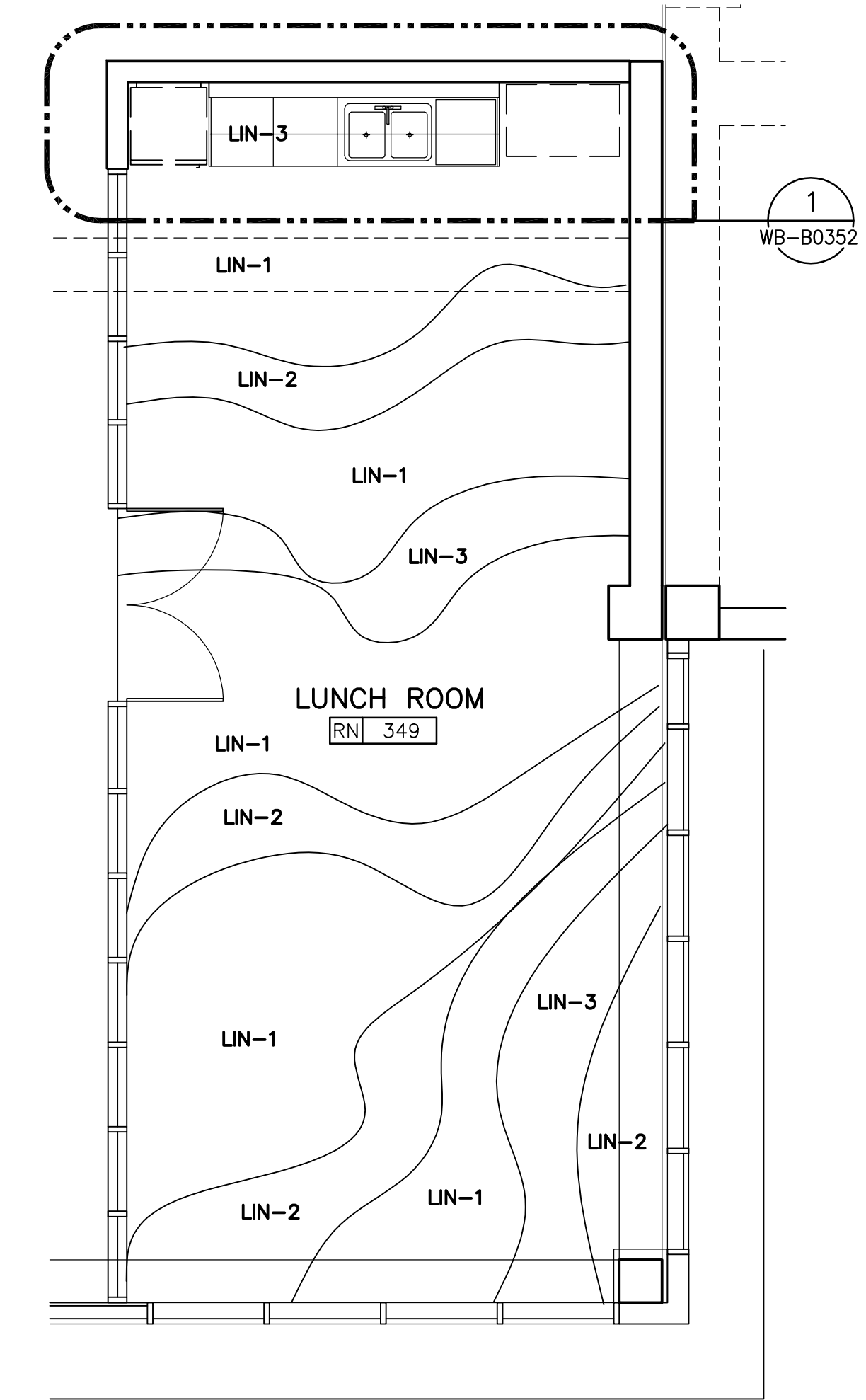
7 MILLWORK SECTION
WB-B0357 1 : 10



8 WOMEN'S SHOWERS 329B
WB-B0354 1 : 10



CERAMIC TILE TYPE 1
CUT TO SIZE FOR CURB



1 LUNCH ROOM FLOOR PATTERN (THIRD FLOOR LEVEL)
WB-B0357 1 : 20



B.M. ELEV.			
DESIGNED BY	MG	CHECKED BY	BJS
DRAWN BY	MG	APPROVED BY	AHL
SCALE:	AS NOTED	RELEASED FOR CONSTRUCTION BY:	R. SOROKOWSKI
ISSUED FOR TENDER	07/06/05	DATE	2006/08/16
NO. REVISIONS	DATE	BY	DATE



ENGINEER'S SEAL	
ORIGINAL SIGNED BY	NEIL COOPER
	2007/06/05
CONSULTANT DRAWING NO.	WB-B0357

THE CITY OF WINNIPEG
WATER AND WASTE DEPARTMENT
ENGINEERING DIVISION

WATER TREATMENT PLANT
MAIN BUILDING
OFFICE AND PLANT INTERIOR FINISHES

ARCHITECTURAL
MILLWORK PLANS, ELEVATIONS, SECTIONS
AND MATERIAL LIST

CITY FILE NUMBER
SHEET OF
CITY DRAWING NUMBER
1-0601B-A-B0357-001-00D