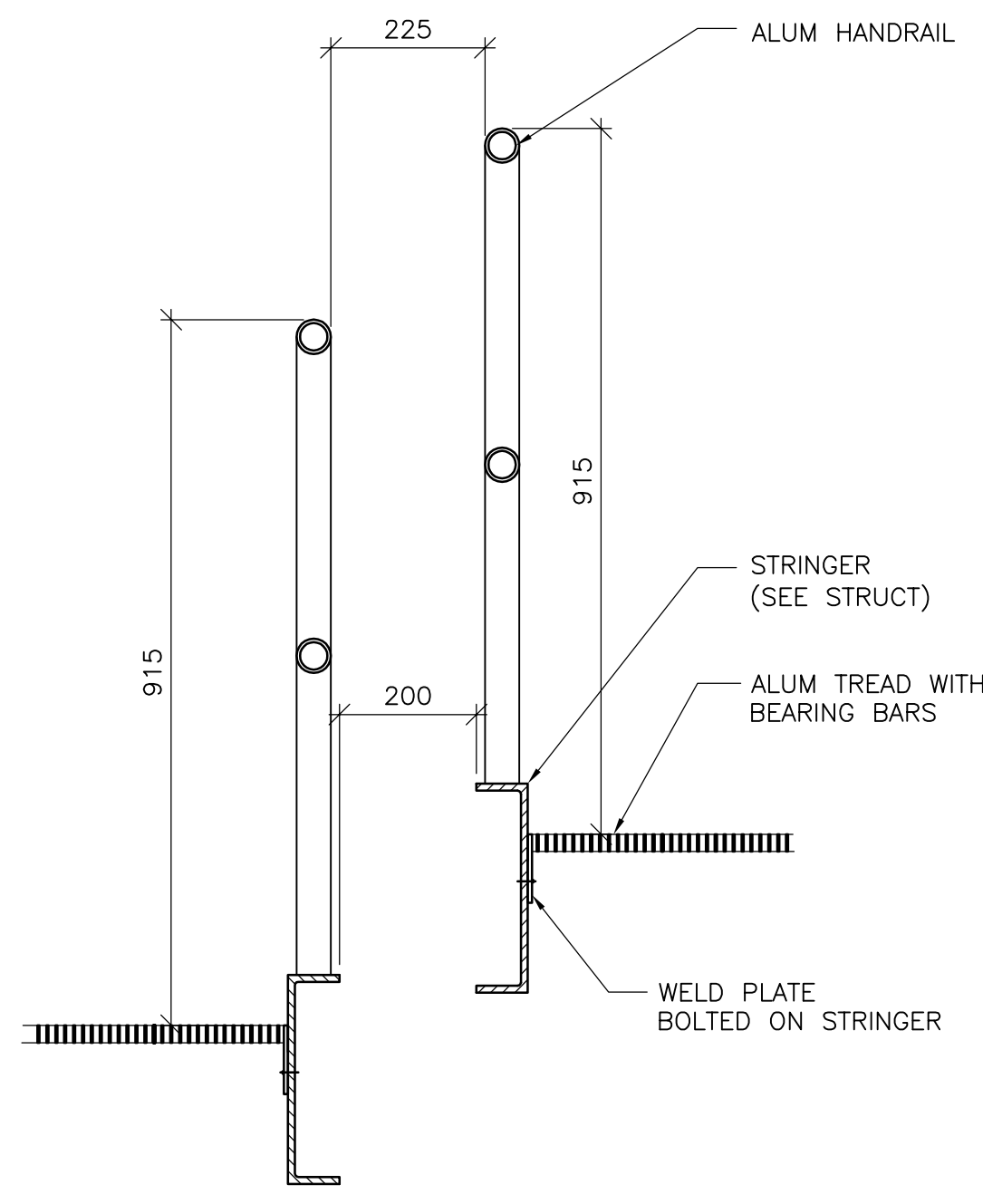
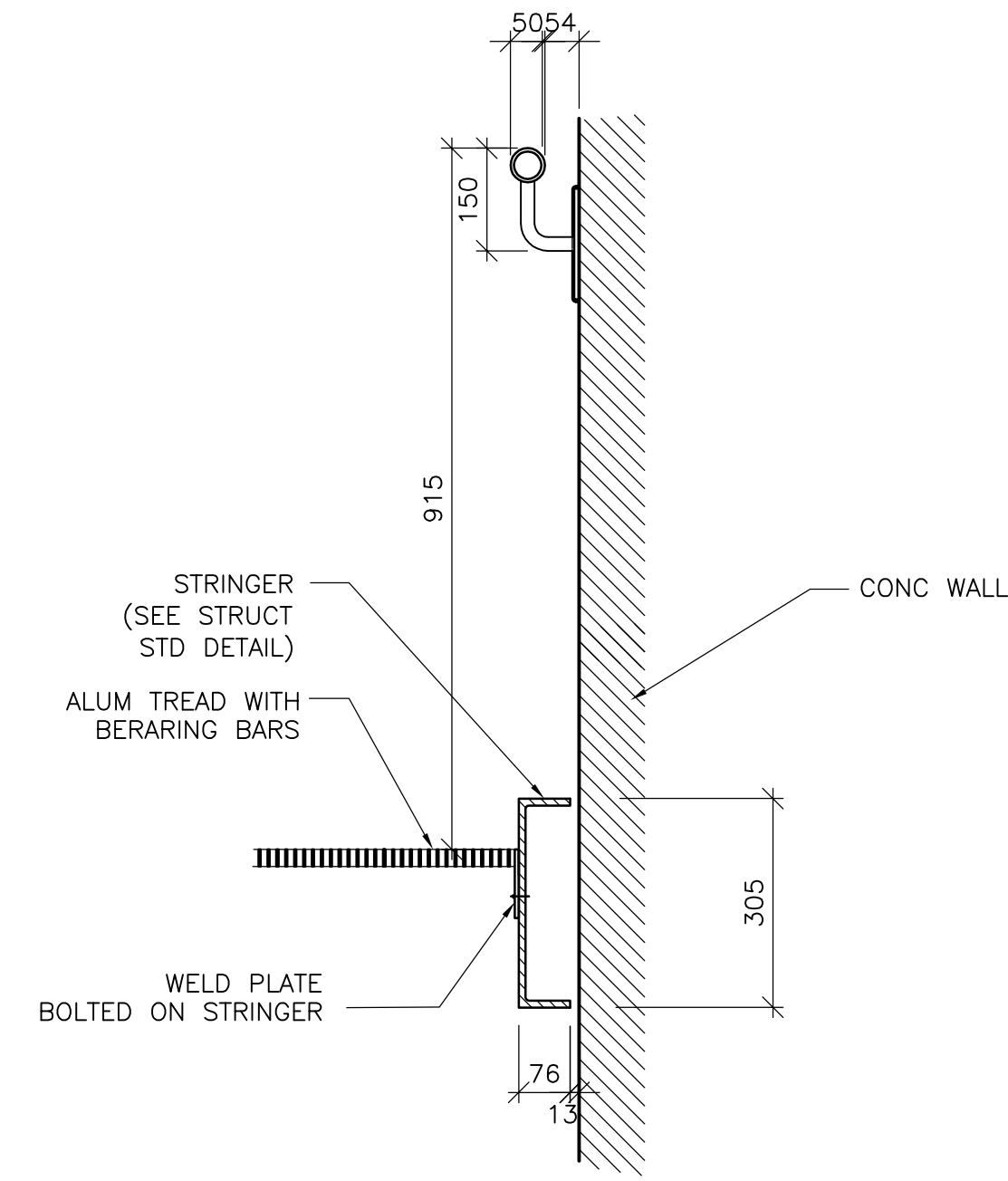


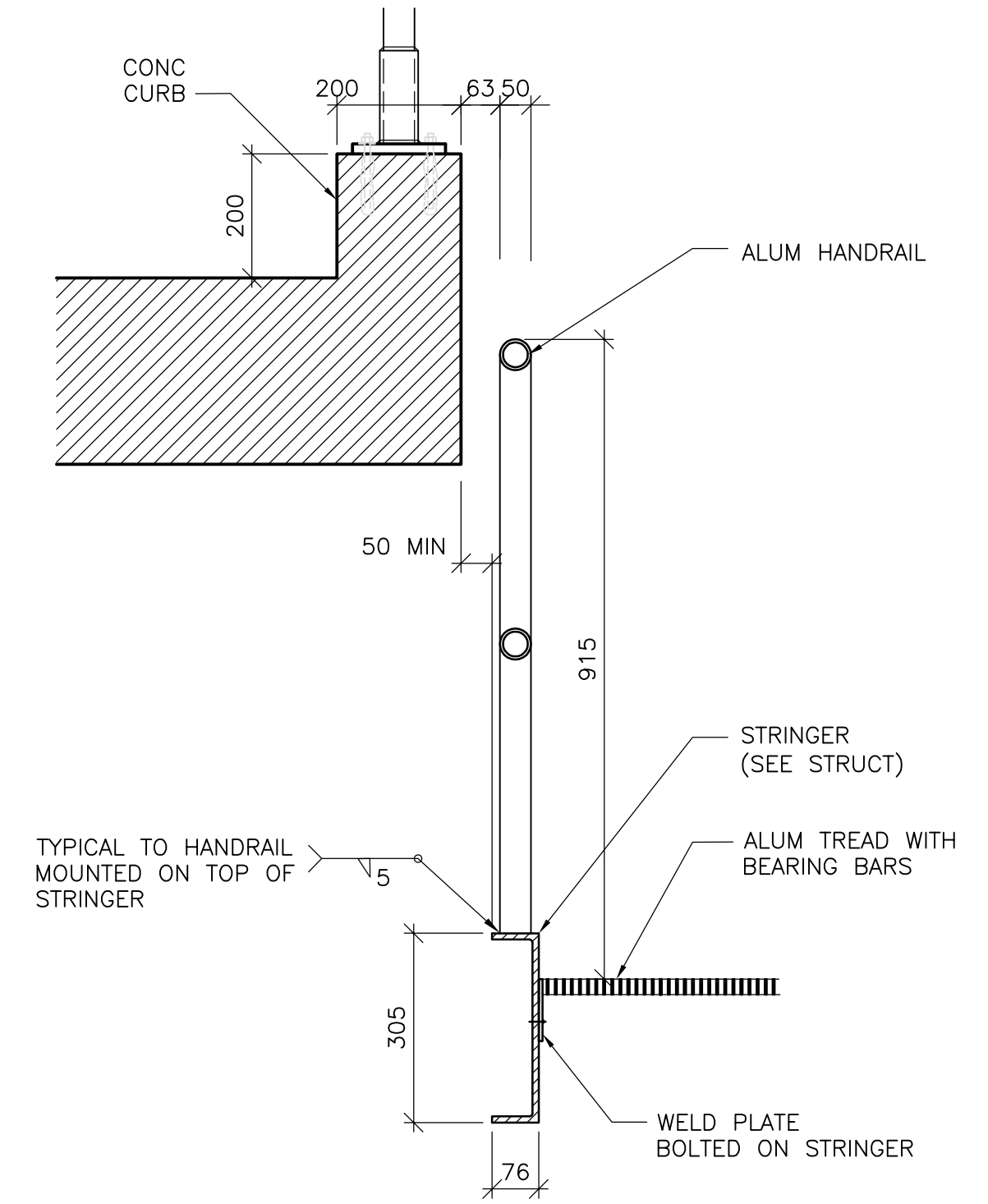
1 TYPICAL STAIRWELL PLAN
1:20



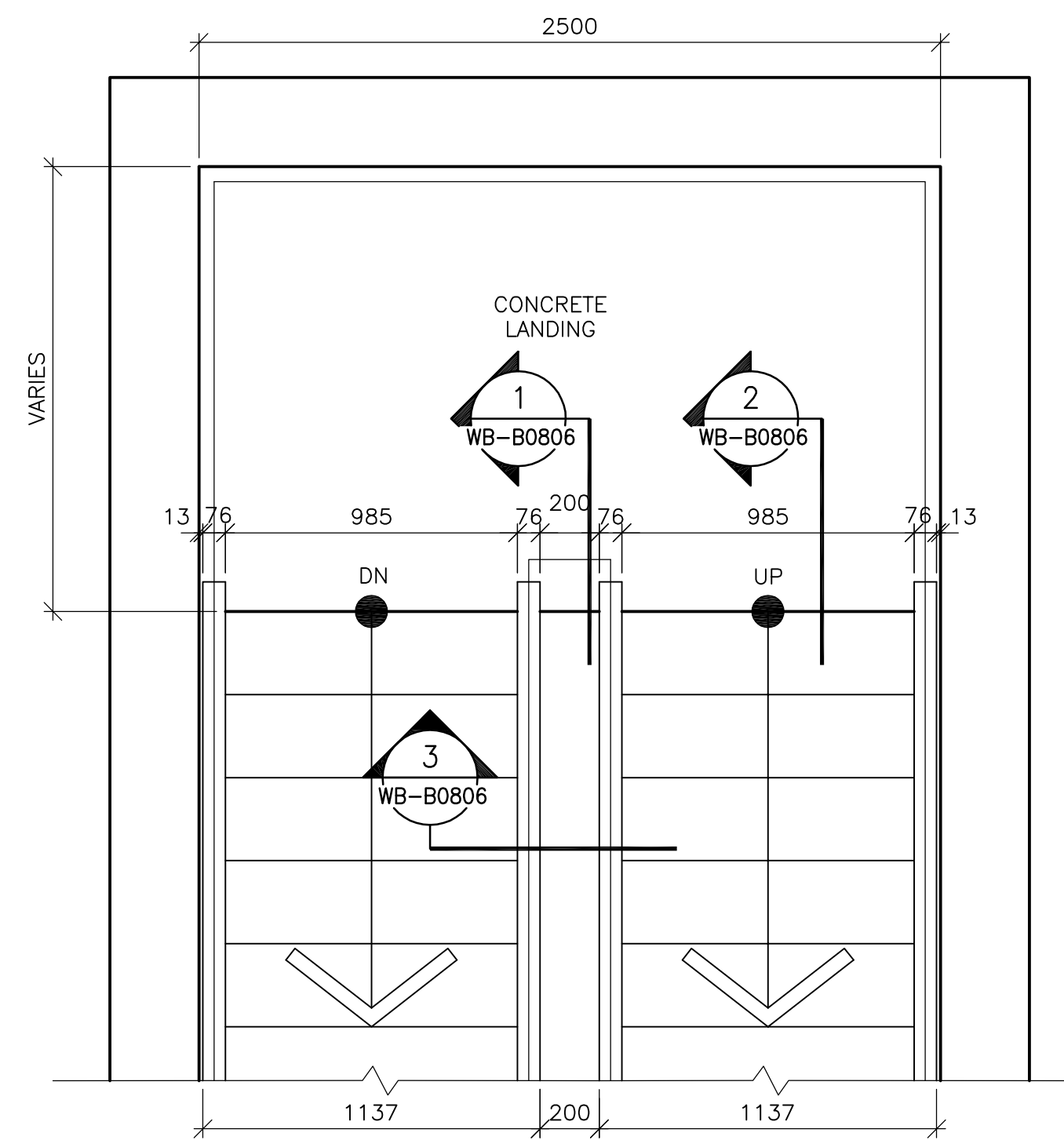
3 TYP SECTION @ STAIR HANDRAIL
WB-B0806 1:10



4 TYP SECTION @ WALL MOUNTED HANDRAIL
WB-B0806 1:10

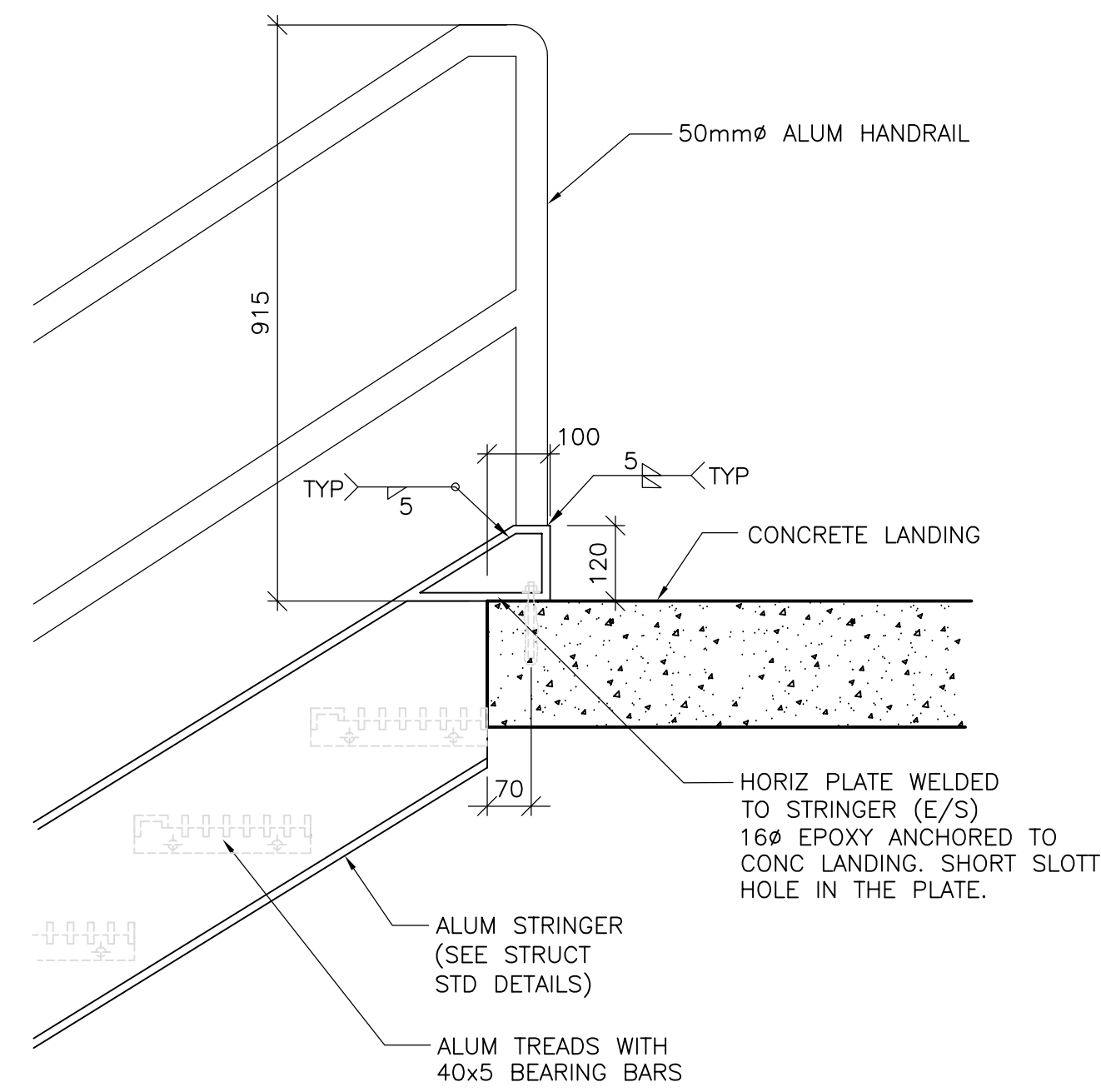


5 TYP SECTION @ SLAB OPENING
WB-B0806 1:10

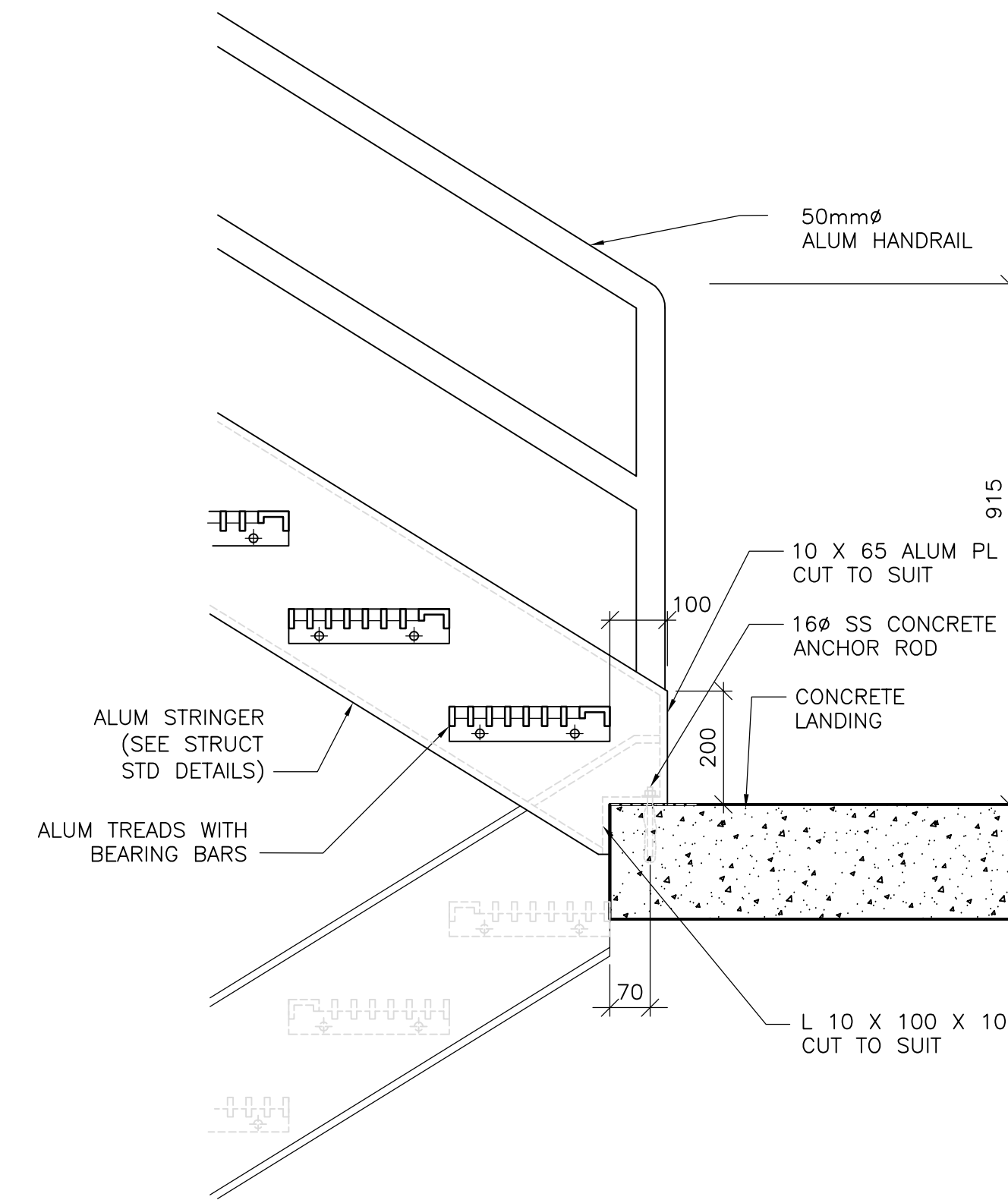


NOTE: HANDRAILS NOT SHOWN FOR CLARITY

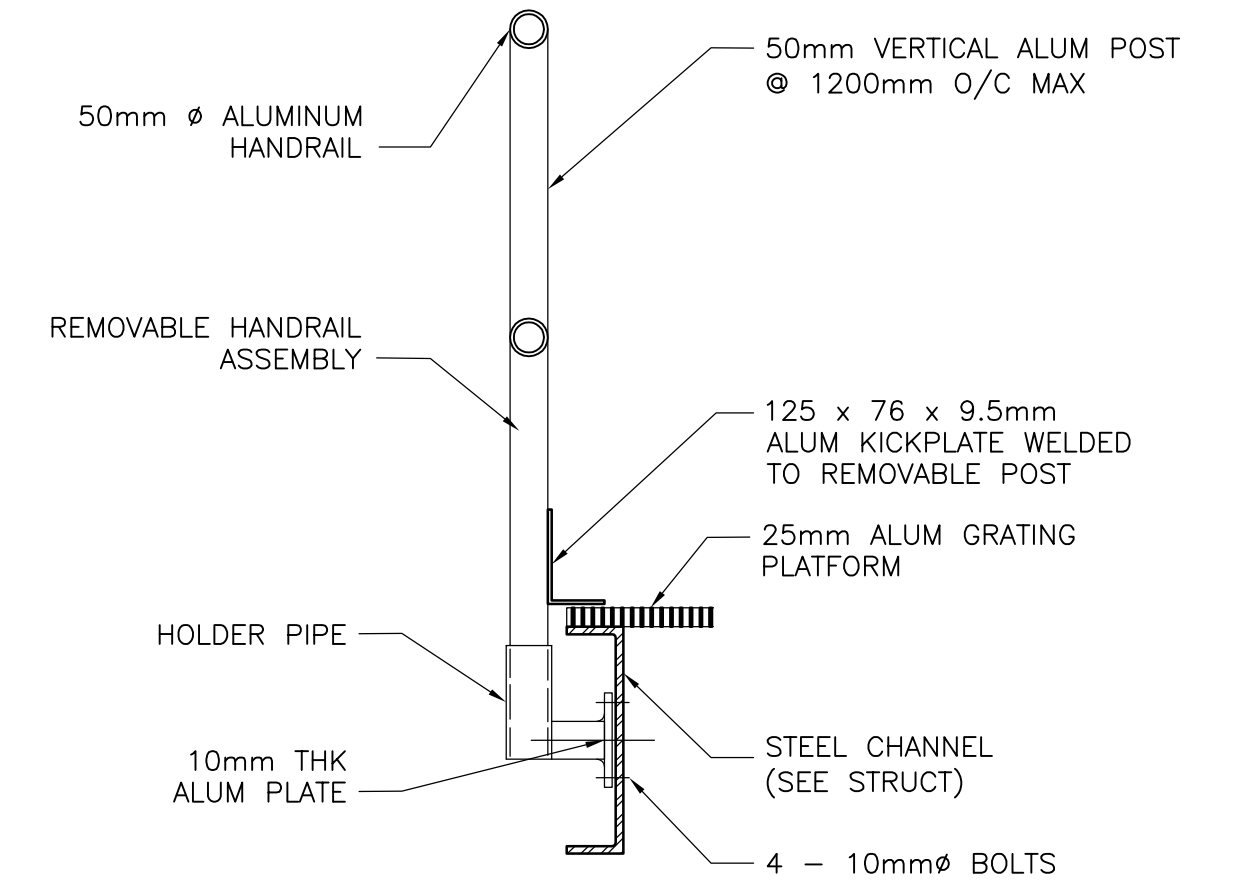
1 TYPICAL STAIRWELL PLAN
1:20



1 TYPICAL SECTION @ CONCRETE LANDING
WB-B0806 1:10



2 TYPICAL SECTION
WB-B0806 1:10



6 TYP DETAIL OF REMOVABLE HR @ GRATED PLATFORMS
WB-B0119 1:10

NOTES:

1. PROVIDE PROTECTION FOR DISSIMILAR METAL & CONCRETE CONTACTS AS SPECIFIED.
2. VERIFY FIELD DIMENSIONS & ELEVATIONS PRIOR TO FABRICATION.
3. REFER TO STRUCTURAL DRAWINGS WB-S4451 THROUGH WB-S4454 FOR TYPICAL TREAD CONSTRUCTION AND HANDRAIL ATTACHMENT.
4. ALL FASTENERS SHALL BE STAINLESS STEEL.



| | | | |
|----------------------|----------|-------------------------------|---------------|
| B.M. ELEV. | | | |
| DESIGNED BY | TWS | CHECKED BY | BJS |
| DRAWN BY | AL | APPROVED BY | AHL |
| SCALE: | 1:50 | RELEASED FOR CONSTRUCTION BY: | R. SOROKOWSKI |
| 00 ISSUED FOR TENDER | 07/06/05 | LK | |
| NO. REVISIONS | DATE | DATE | 2005/08/03 |

| | | | |
|---|--|-------------------------------|---------------|
| CH2MHILL Frederickson Cooper ARCHITECTS | EarthTech A Post International Ltd. Company | | |
| DESIGNED BY | TWS | CHECKED BY | BJS |
| DRAWN BY | AL | APPROVED BY | AHL |
| SCALE: | 1:50 | RELEASED FOR CONSTRUCTION BY: | R. SOROKOWSKI |
| 00 ISSUED FOR TENDER | 07/06/05 | LK | |
| NO. REVISIONS | DATE | DATE | 2005/08/03 |

| | |
|------------------------|-------------|
| ENGINEER'S SEAL | |
| ORIGINAL SIGNED BY | NEIL COOPER |
| | 2007/06/05 |
| CONSULTANT DRAWING NO. | WB-B0806 |

| | |
|---|--------------------------------|
| THE CITY OF WINNIPEG WATER AND WASTE DEPARTMENT ENGINEERING DIVISION | |
| WATER TREATMENT PLANT MAIN BUILDING OFFICE AND PLANT INTERIOR FINISHES | CITY FILE NUMBER |
| ARCHITECTURAL STAIR DETAILS | SHEET OF |
| | CITY DRAWING NUMBER |
| | 1-0601B-A-B0806-001-00D |