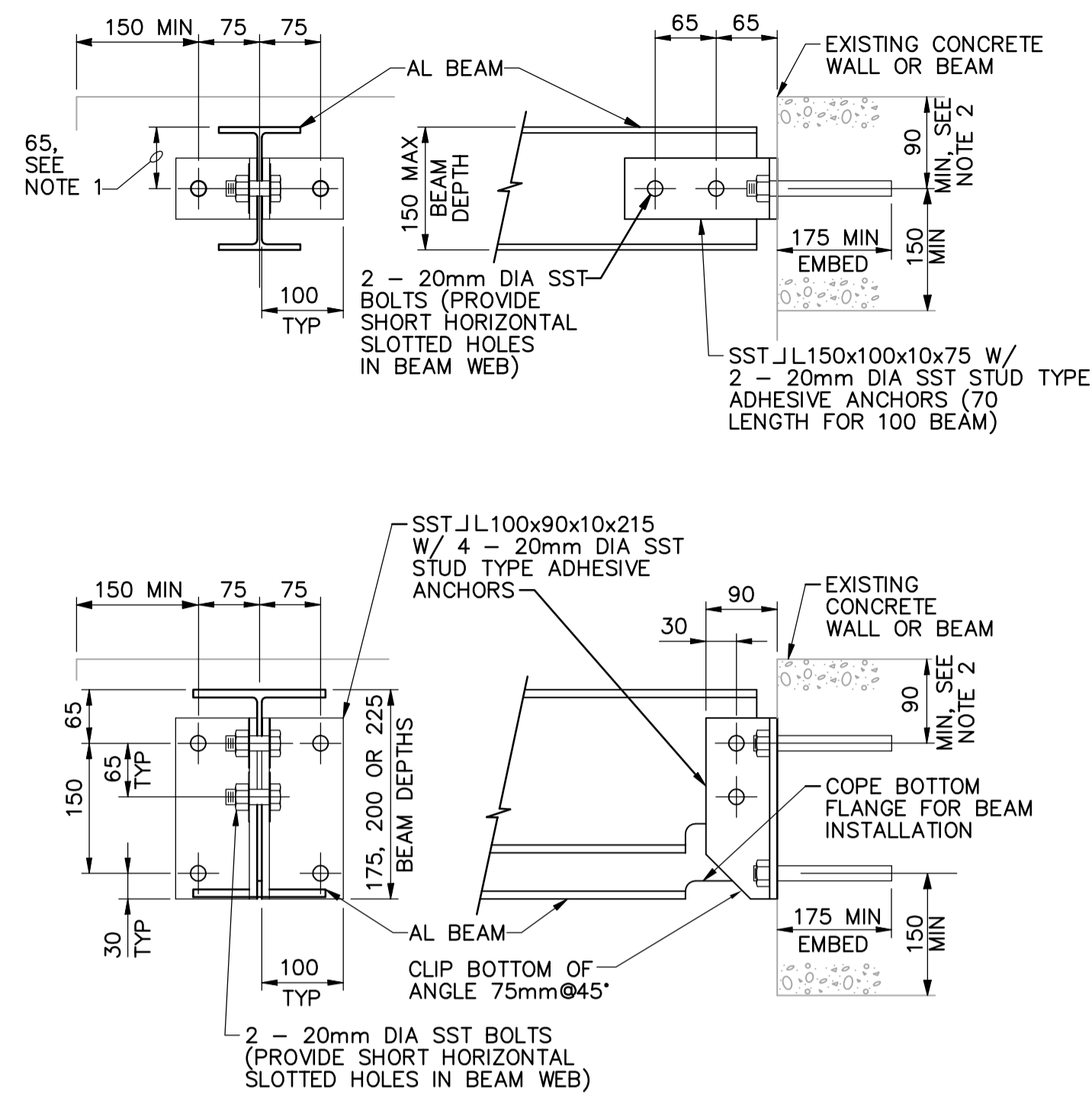


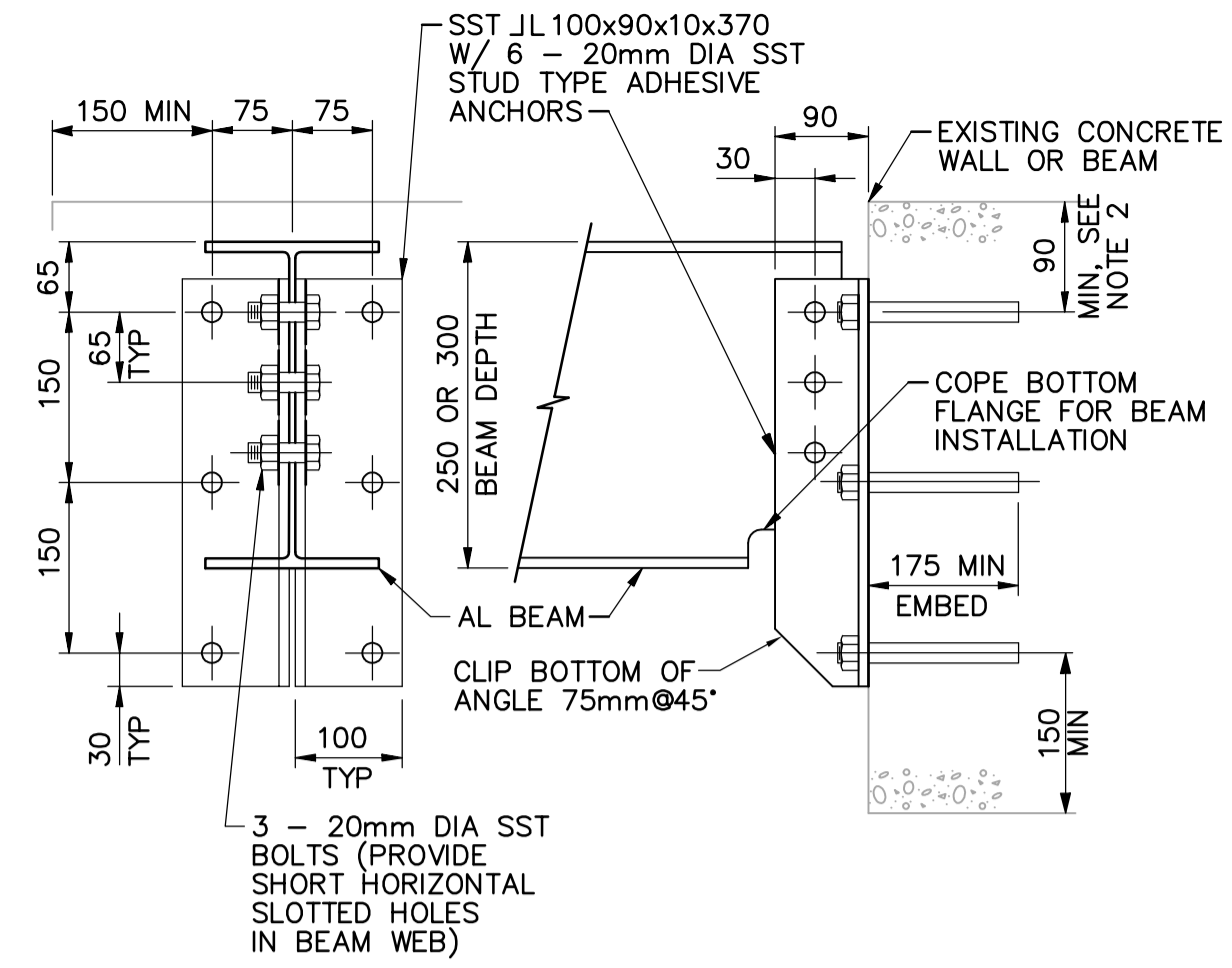
NOTE:
1. PROVIDE PROTECTION FOR ALUMINUM IN CONTACT WITH CONCRETE AS SPECIFIED.

1 FLAT BAR LADDER WITH EXTENSION-ALUMINUM
N.T.S.



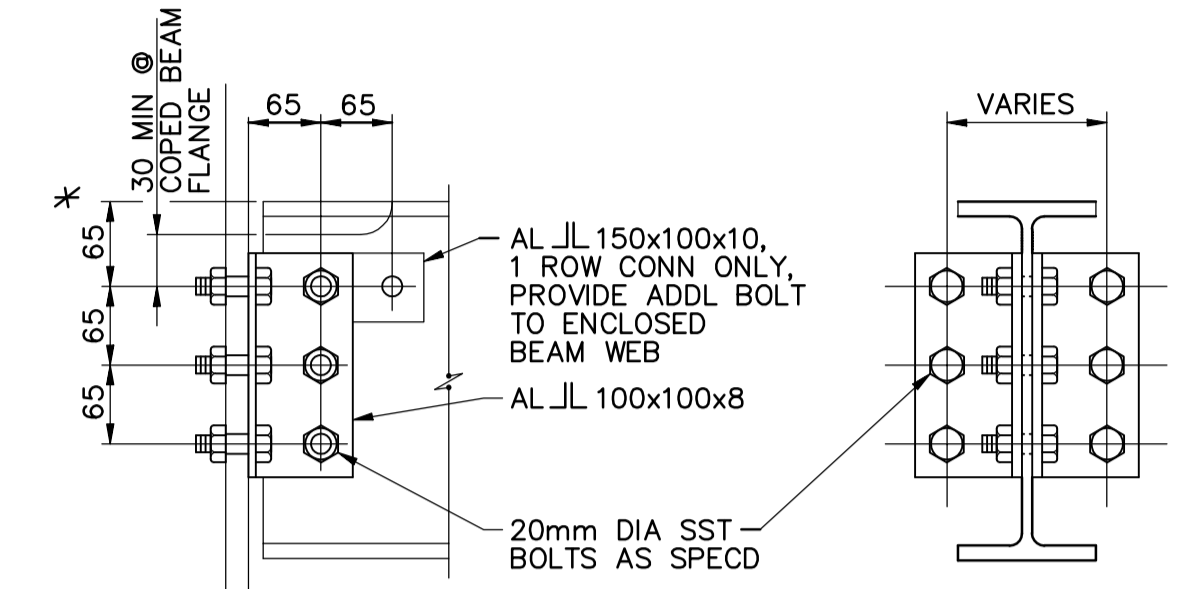
NOTES:
1. 65mm DIMENSION TYPICAL EXCEPT 50mm FOR 100mm BEAMS.
2. DO NOT CUT EXISTING CONCRETE BEAM TOP REINFORCING DURING DRILL-IN ANCHOR INSTALLATION. FIELD LOCATE BEAM REINFORCING PRIOR TO FABRICATION. ADD LENGTH TO CLIP ANGLES AS REQUIRED TO LOWER ANCHORS TO CLEAR REINFORCING WHILE MAINTAINING SPACING AND EDGE DISTANCE AS SHOWN.
3. WHERE BOTH ENDS OF BEAM ARE ATTACHED TO A WALL, PROVIDE LONG HORIZONTALLY SLOTTED HOLES IN BEAM WEB AT ONE END. TIGHTEN NUTS SNUG TIGHT, BACK OFF 1/2 TURN, AND LOCK WITH DOUBLE NUT.

2 BEAM/WALL CONNECTION-ALUMINUM
N.T.S.



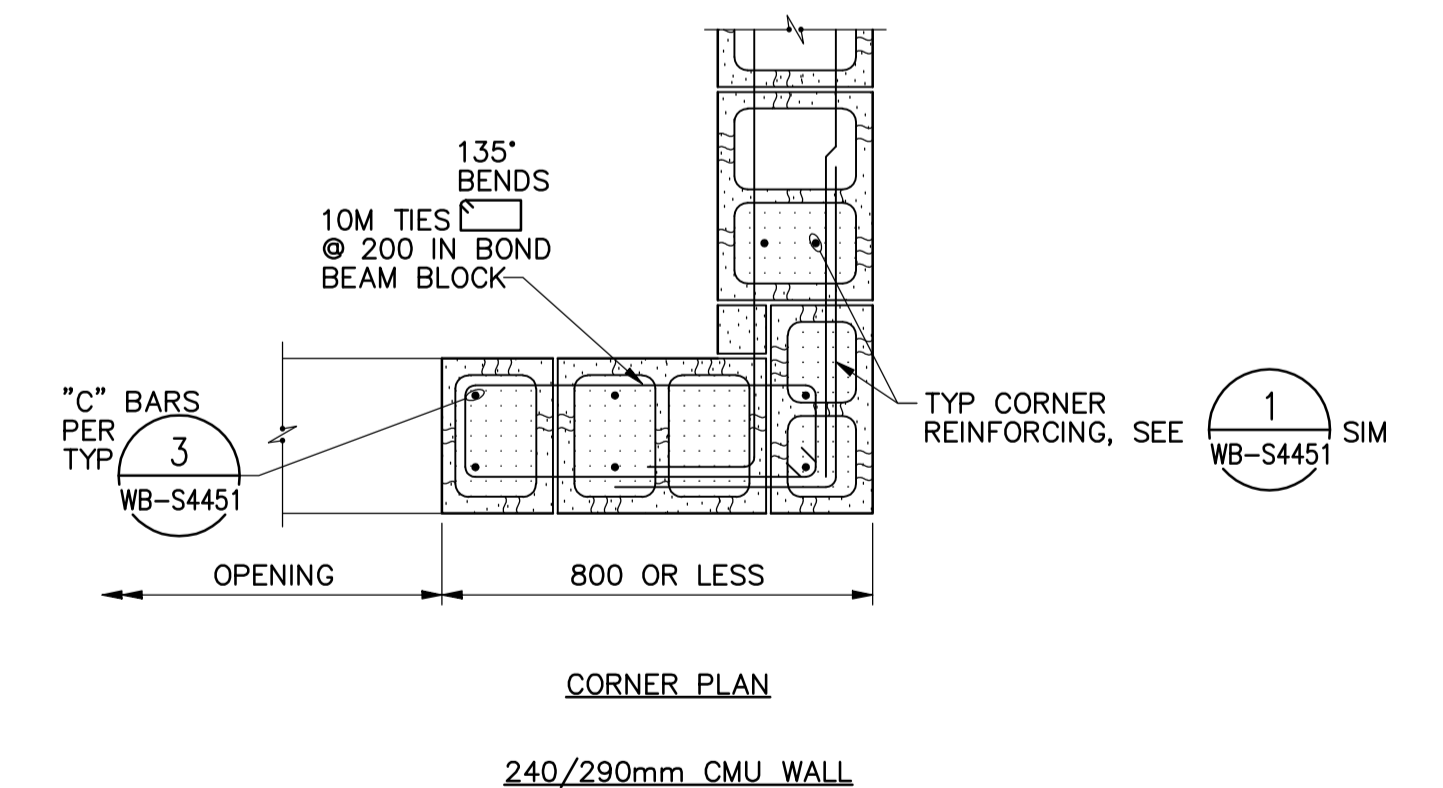
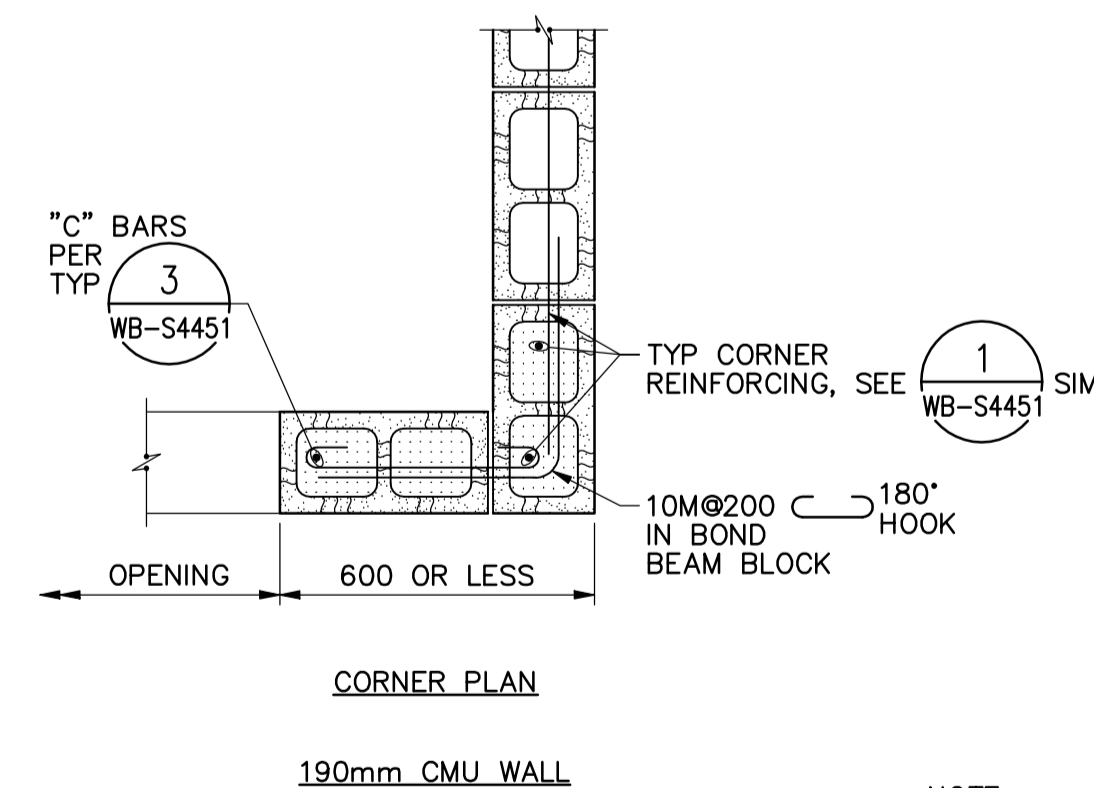
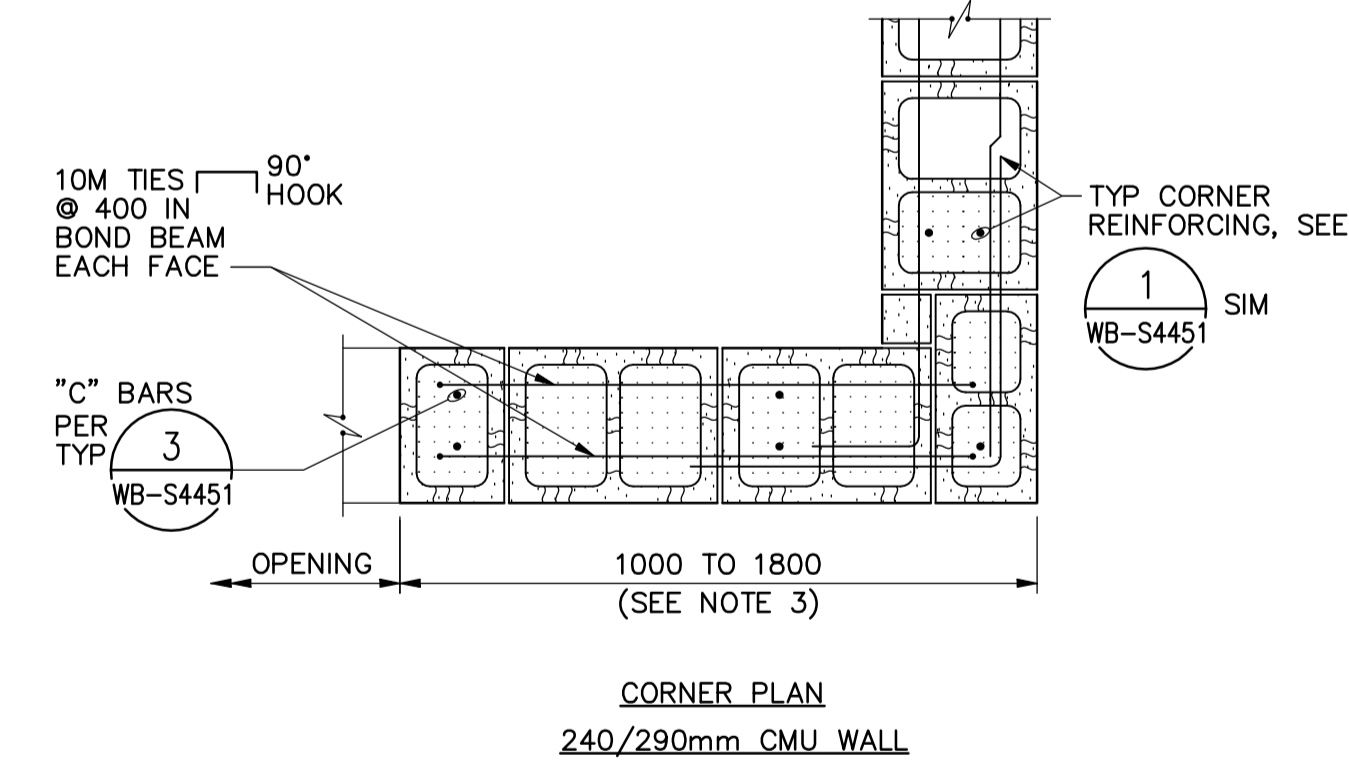
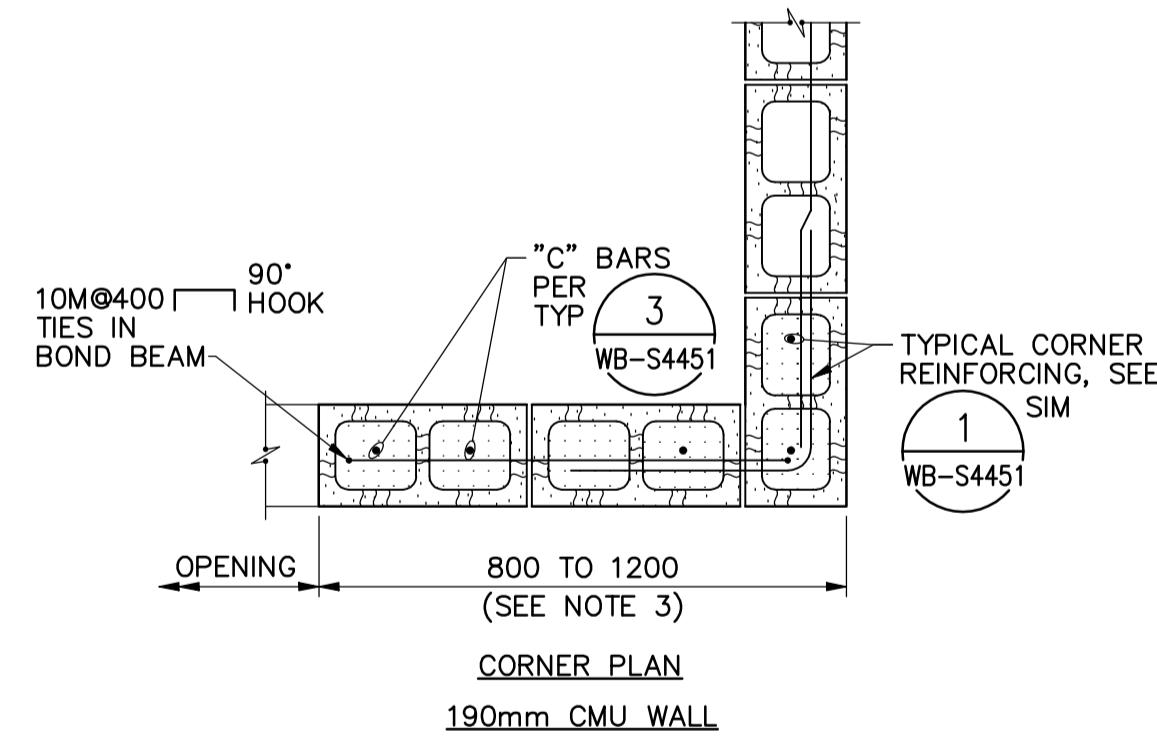
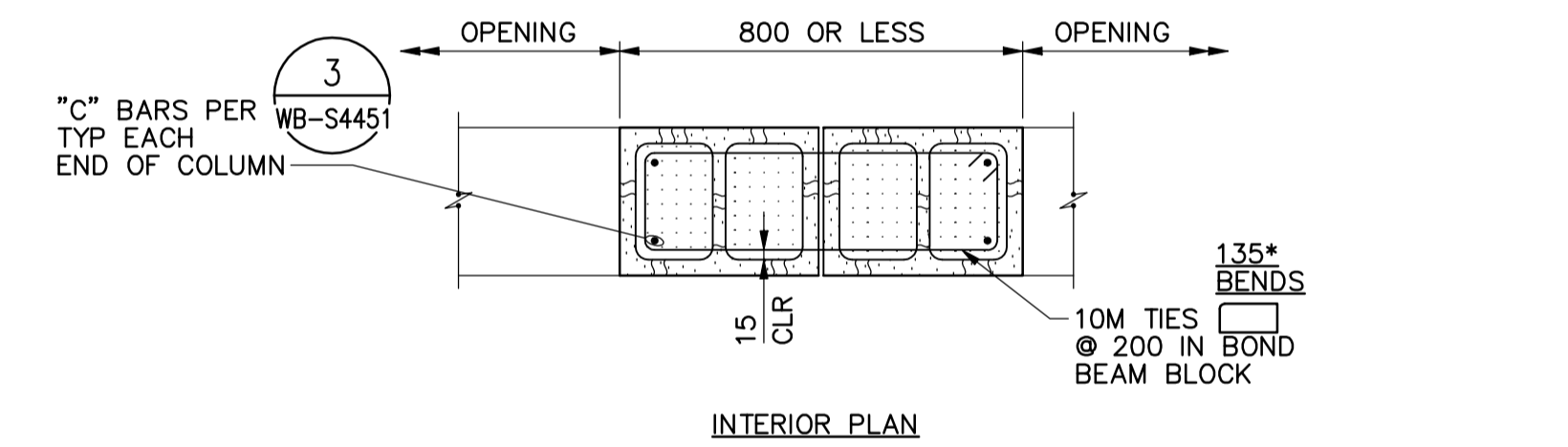
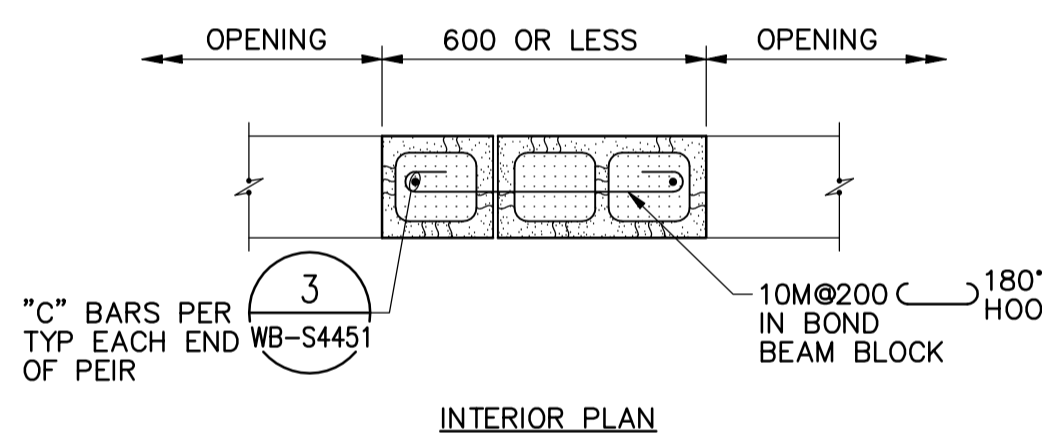
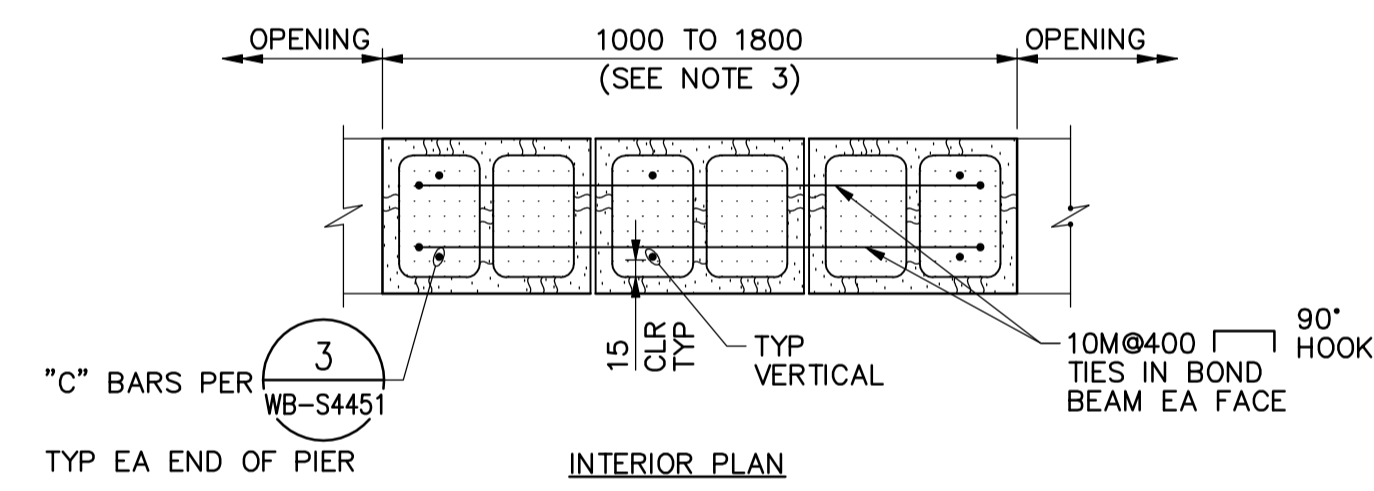
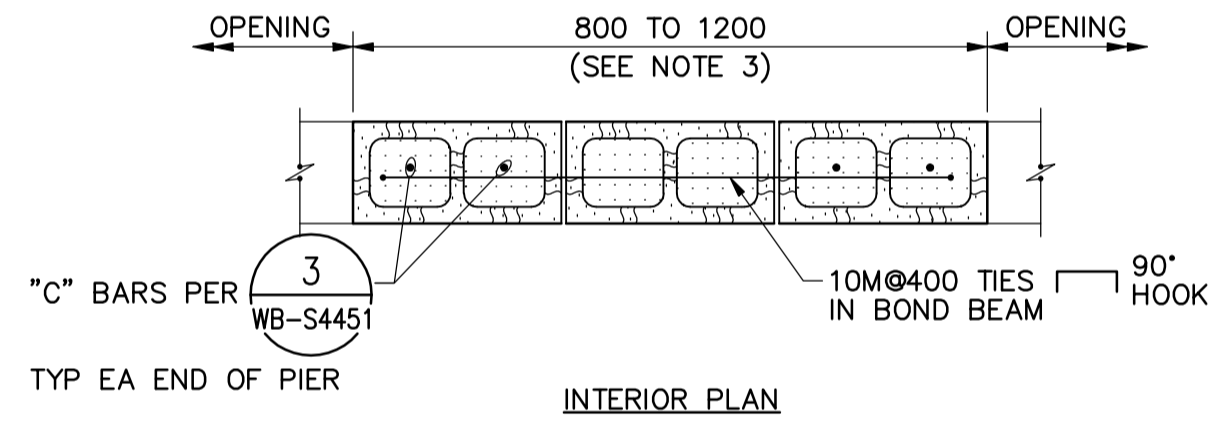
ALUMINUM		
NOMINAL BEAM DEPTH, mm	ROWS OF BOLTS	LENGTH OF ANGLE
250	3	190
175-200-225	2	125
125-150	1	75
100	1	70

NOTES:
1. NUMBER OF ROWS IS EQUAL TO NUMBER OF BOLTS TO ENCLOSED WEB.
2. ALL FRAMING CONNECTIONS SHALL CONFORM TO SCHEDULE UNLESS DETAILED OTHERWISE ON FRAMING PLANS.



NOTE:
* 65mm DIMENSION TYPICAL EXCEPT 50mm FOR 100mm BEAM.

5 TYPICAL FRAMING CONNECTION - ALUMINUM
N.T.S.



NOTES:
1. GROUT PIERS FULL WALL HEIGHT.
2. WHERE PIERS ARE CENTERED BELOW BEAM BEARING, REDUCE TIE SPACING TO 200mm..
3. FOR 190mm CMU WALL PIERS 600mm AND LESS, AND FOR 240/290mm CMU WALL PIERS 800mm AND LESS, SEE WALL COLUMN DETAIL.

NOTE:
GROUT WALL COLUMNS FULL WALL HEIGHT.

3 CMU WALL PIER
N.T.S.

4 CMU WALL COLUMN
N.T.S.



B.M. ELEV.	NO.	ISSUED FOR TENDER	DATE	BY
	00	ISSUED FOR TENDER	07/06/05	MH
		REVISIONS		

DESIGNED BY	CHECKED BY
MH	AP
DRAWN BY	APPROVED BY
CR	AHL
SCALE:	RELEASED FOR CONSTRUCTION BY:
NTS	R. SOROKOWSKI
DATE	DATE
2007/06/05	2007/05/06

ENGINEER'S SEAL
ORIGINAL SIGNED BY
C. MILITANO
2007/06/05
CONSULTANT DRAWING NO.
WB-S4454

THE CITY OF WINNIPEG
WATER AND WASTE DEPARTMENT
ENGINEERING DIVISION

WATER TREATMENT PLANT
MAIN BUILDING
OFFICE AND PLANT INTERIOR FINISHES

STRUCTURAL
STANDARD DETAILS

CITY FILE NUMBER
SHEET OF
CITY DRAWING NUMBER
1-0601B-A-S4454-001-000