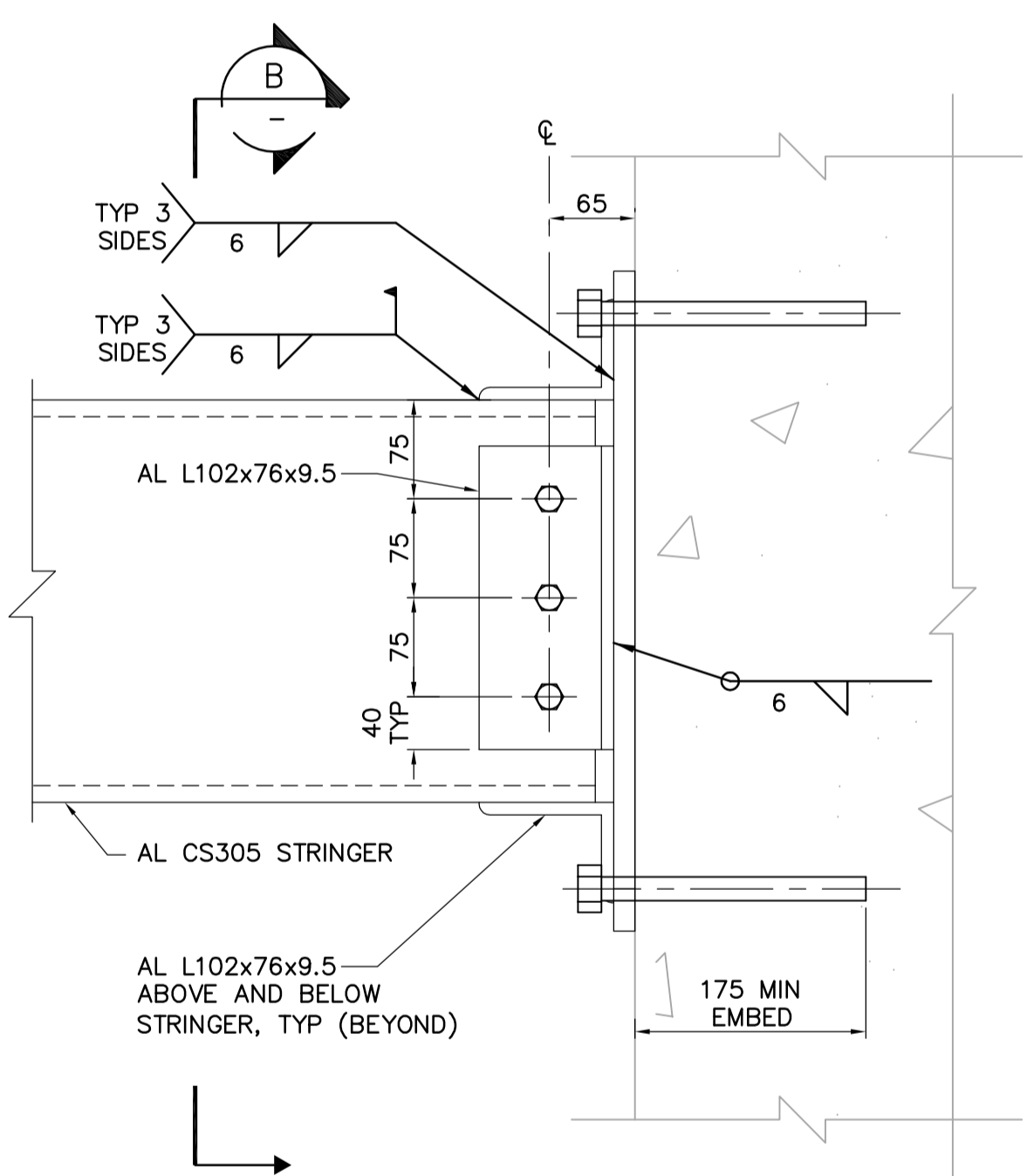


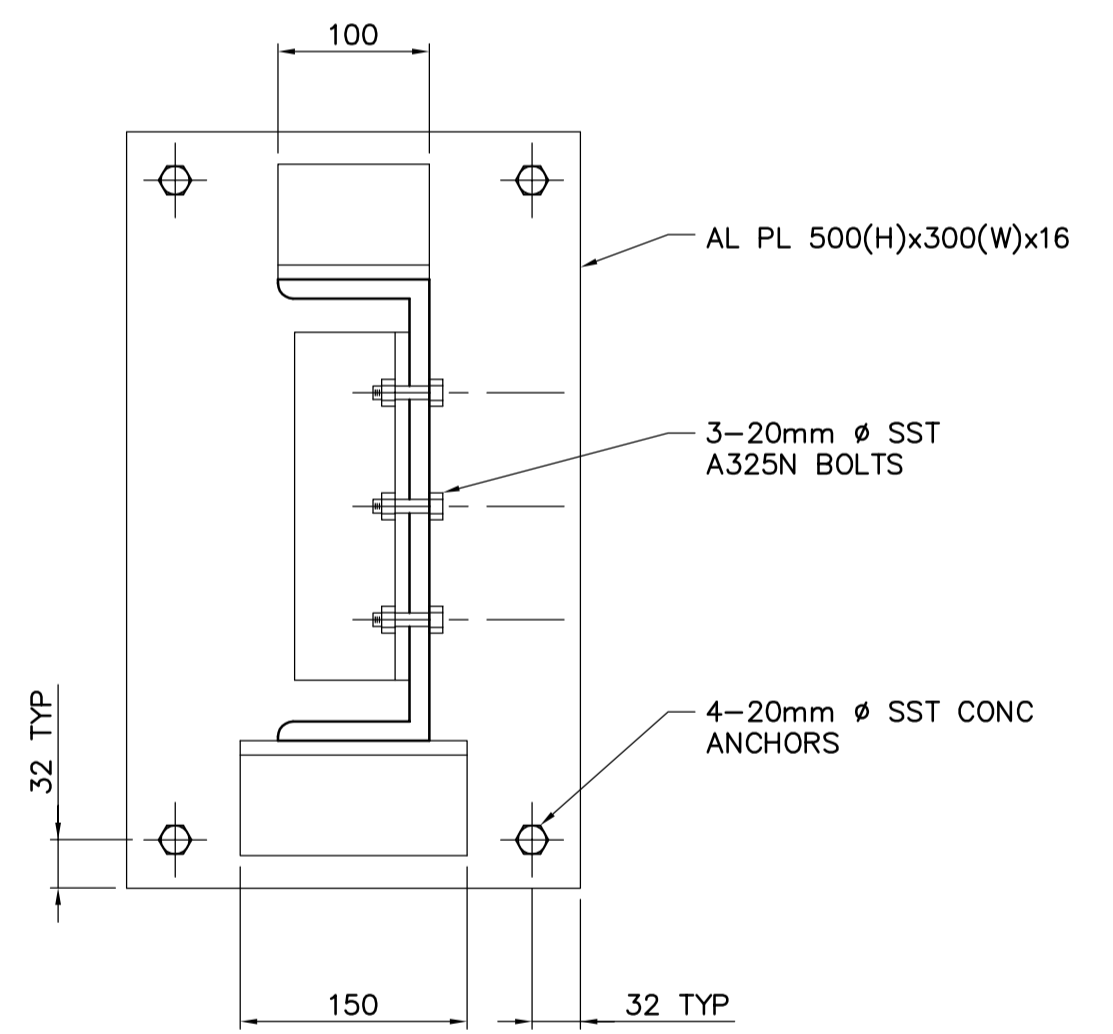
- NOTES:**
- WHERE BOTTOM ANCHORS ARE INSTALLED INTO THE SIDE OF A SLAB, LOCATE THEM AT THE CENTRE OF THE SLAB.
 - GRATING NOT SHOWN FOR CLARITY.
 - PROVIDE PROTECTION BETWEEN DISSIMILAR METALS.
 - PROVIDE PROTECTION BETWEEN ALUMINUM AND CONCRETE.

1 - DETAIL
1:5



- NOTES:**
- PROVIDE PROTECTION BETWEEN DISSIMILAR METALS.
 - GRATING NOT SHOWN FOR CLARITY.
 - PROVIDE PROTECTION BETWEEN ALUMINUM AND CONCRETE.

2 - DETAIL
1:5



B - SECTION
1:5

A - SECTION
1:50

<p>Certificate of Authorization CH2M HILL Canada Ltd. No. 1441 Expiry: April 30, 2008</p>					ENGINEER'S SEAL ORIGINAL SIGNED BY C. MILITANO 2007/06/05	<p>THE CITY OF WINNIPEG WATER AND WASTE DEPARTMENT ENGINEERING DIVISION</p>	WATER TREATMENT PLANT INLET WORKS AND RAW WATER PUMPING OFFICE AND PLANT INTERIOR FINISHES	CITY FILE NUMBER SHEET OF
	DESIGNED BY: EL DRAWN BY: CR SCALE: AS NOTED	CHECKED BY: AP APPROVED BY: AHL RELEASED FOR CONSTRUCTION BY: R. SOROKOWSKI	CONSULTANT DRAWING NO. WI-S4201		STRUCTURAL RAW WATER PUMP STATION AREA SECTION AND DETAILS		CITY DRAWING NUMBER 1-06011-A-S4201-001-000	
	B.M. ELEV. NO. REVISIONS DATE BY	00 ISSUED FOR TENDER 07/06/05 EL 01 2007/06/05	DATE 2007/06/05	DATE 2007/05/06				