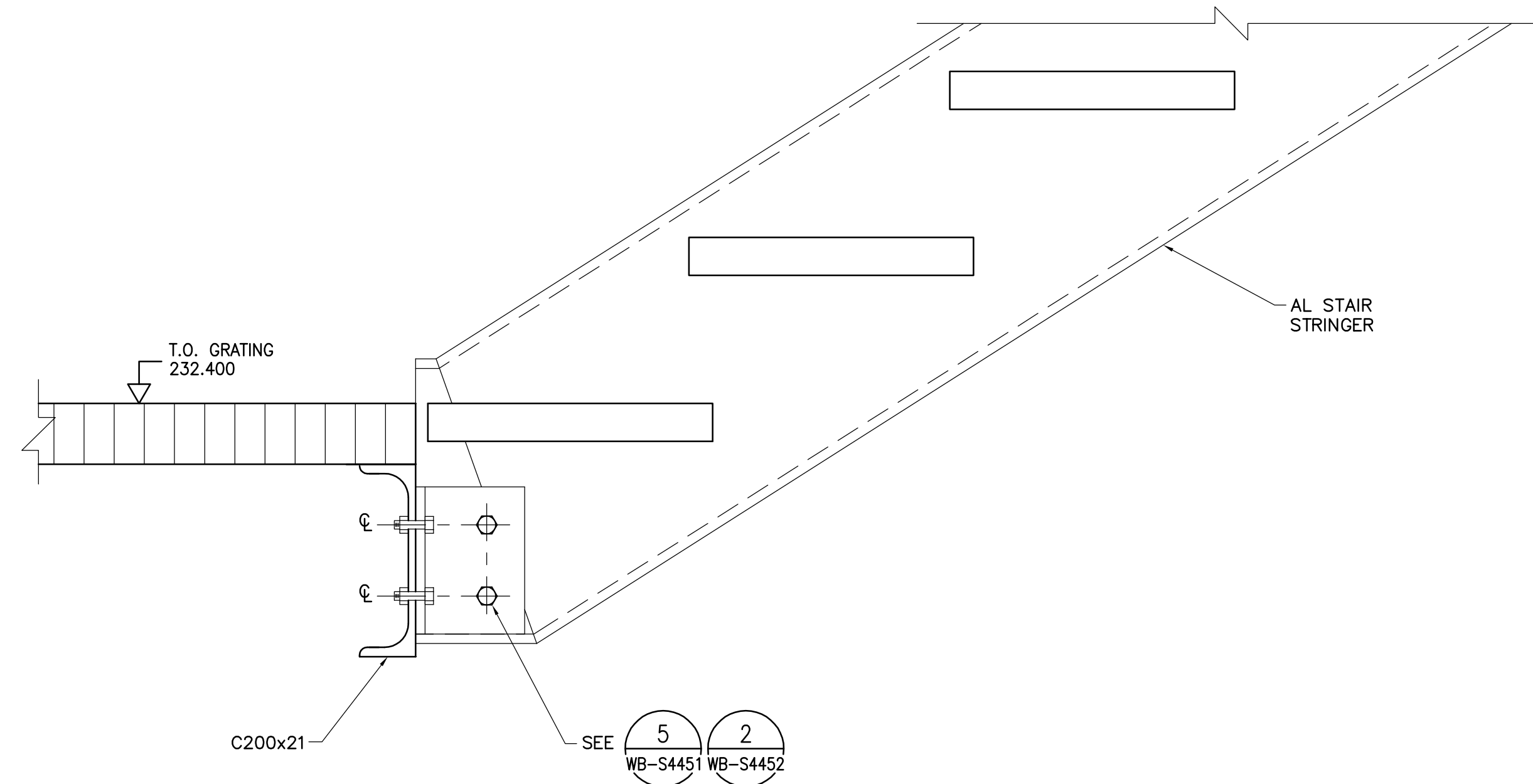
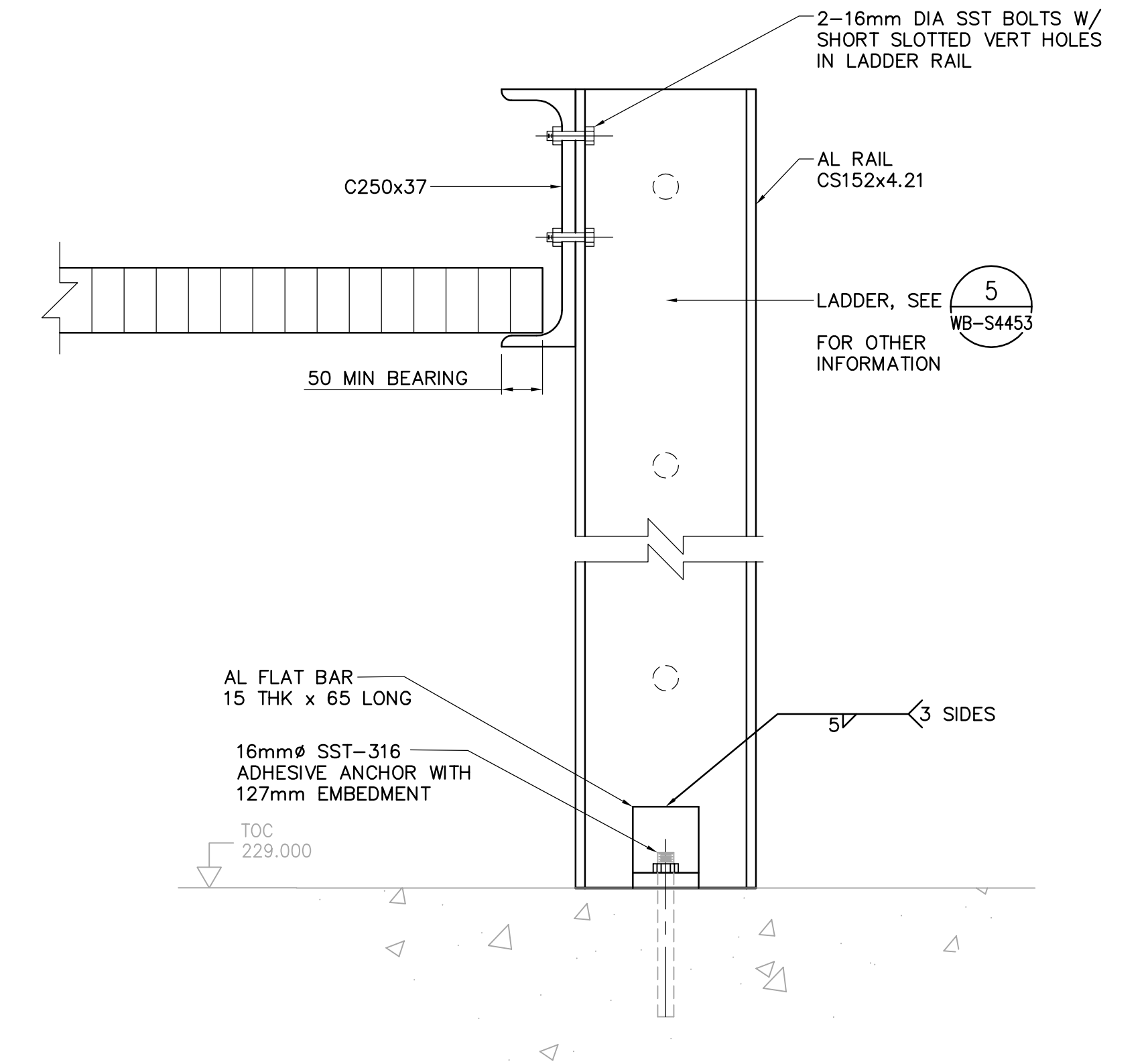


PLAN VIEW

1 DETAIL
WI-S4101 1:5

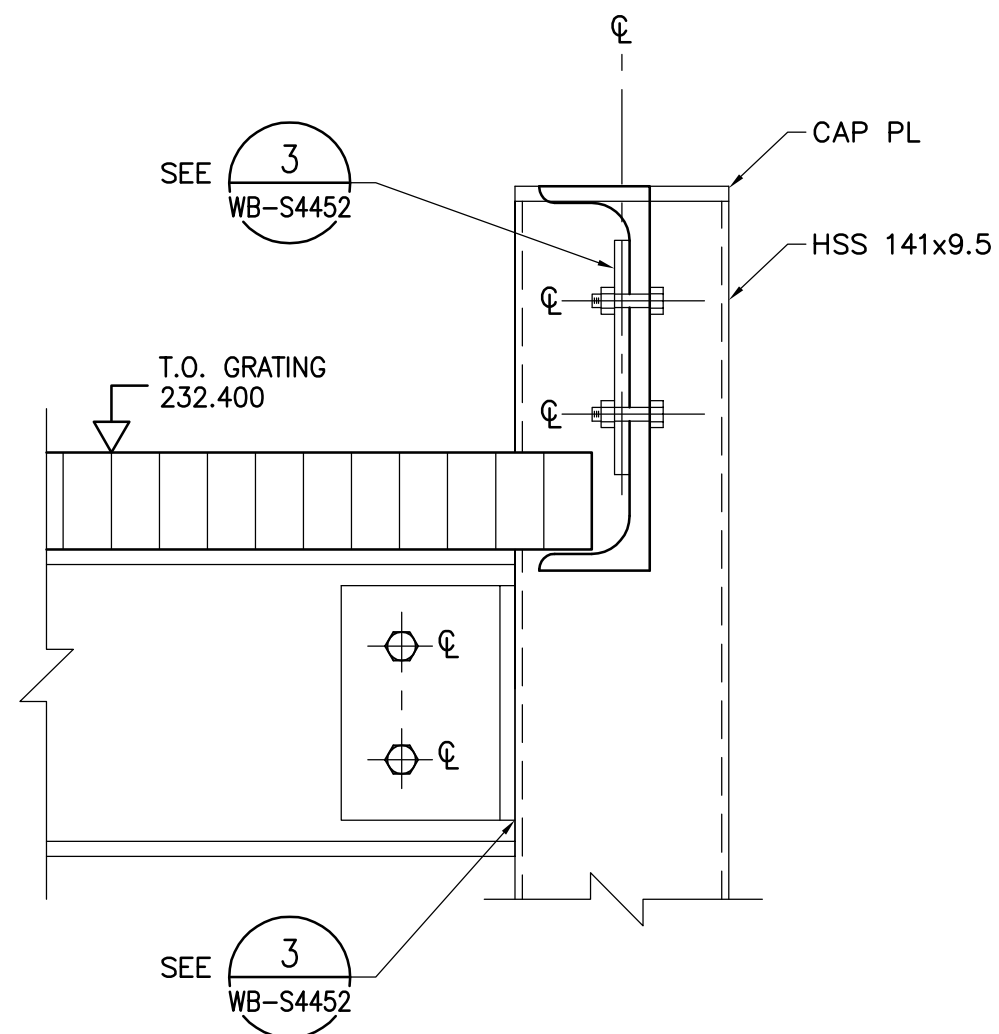


B SECTION
WI-S4101 1:5



C SECTION
WI-S4101 1:5

- NOTE:
1. PROVIDE PROTECTION BETWEEN DISSIMILAR METALS.
 2. PROVIDE PROTECTION BETWEEN ALUMINUM AND CONCRETE.



D SECTION
1:5

 Certificate of Authorization CH2M HILL Canada Ltd. No. 1441 Expiry: April 30, 2008	B.M. ELEV.		 Frederickson Cooper ARCHITECTS	 A Tyco International Ltd. Company	ENGINEER'S SEAL	 THE CITY OF WINNIPEG WATER AND WASTE DEPARTMENT ENGINEERING DIVISION	CITY FILE NUMBER	
	DESIGNED BY	EL			CHECKED BY		AP	ORIGINAL SIGNED BY
	DRAWN BY	CR	APPROVED BY	AHL	2007/06/05		WATER TREATMENT PLANT INLET WORKS AND RAW WATER PUMPING OFFICE AND PLANT INTERIOR FINISHES	CITY DRAWING NUMBER
	SCALE:	AS NOTED	RELEASED FOR CONSTRUCTION BY:	R. SOROKOWSKI	CONSULTANT DRAWING NO.		STRUCTURAL RAW WATER PUMP STATION AREA DETAILS	1-06011-A-S4401-000-000
NO.	ISSUED FOR TENDER	07/06/05	EL	DATE	2007/06/05	DATE	2007/05/06	
NO.	REVISIONS	DATE	BY	DATE	2007/06/05	DATE	2007/05/06	