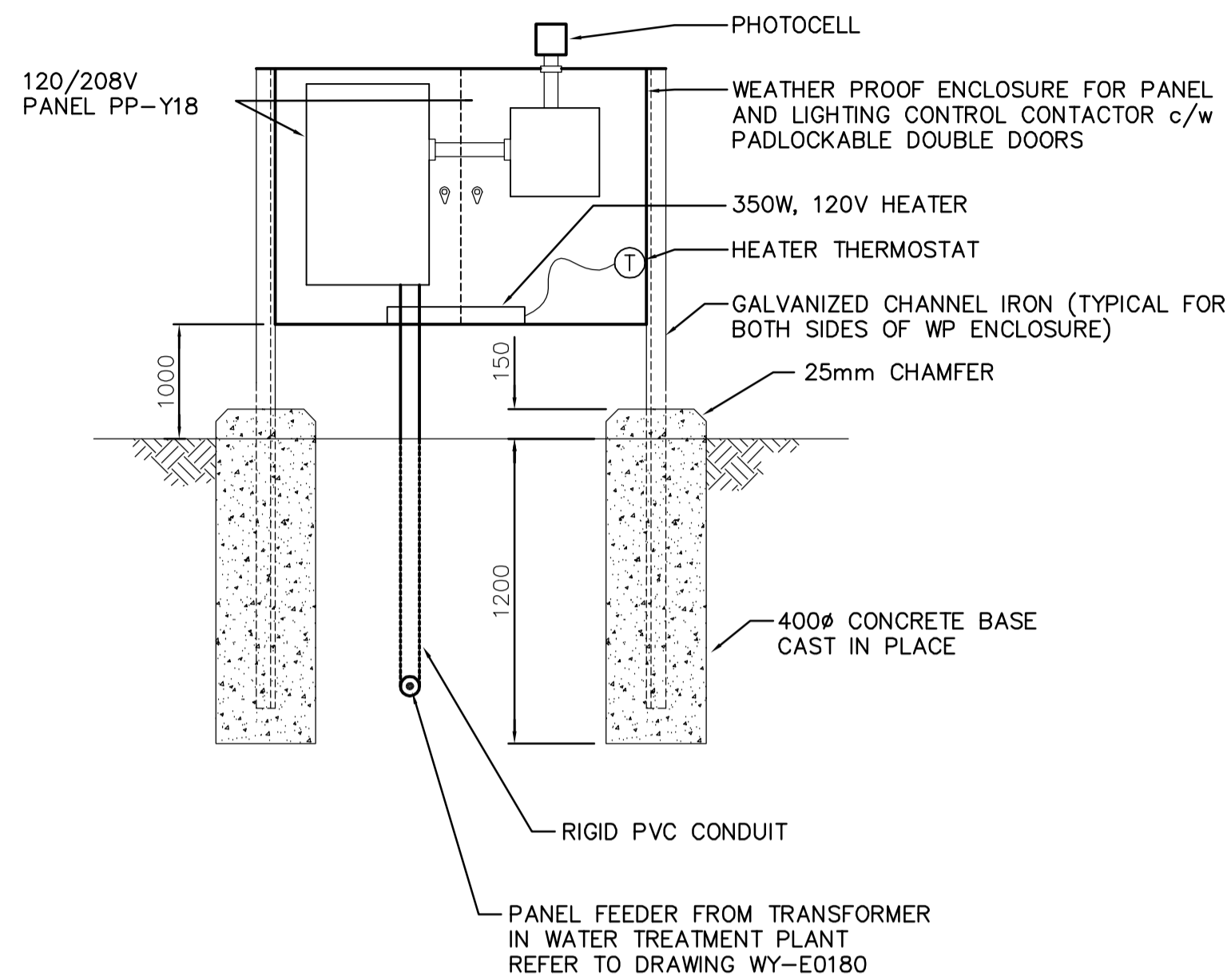
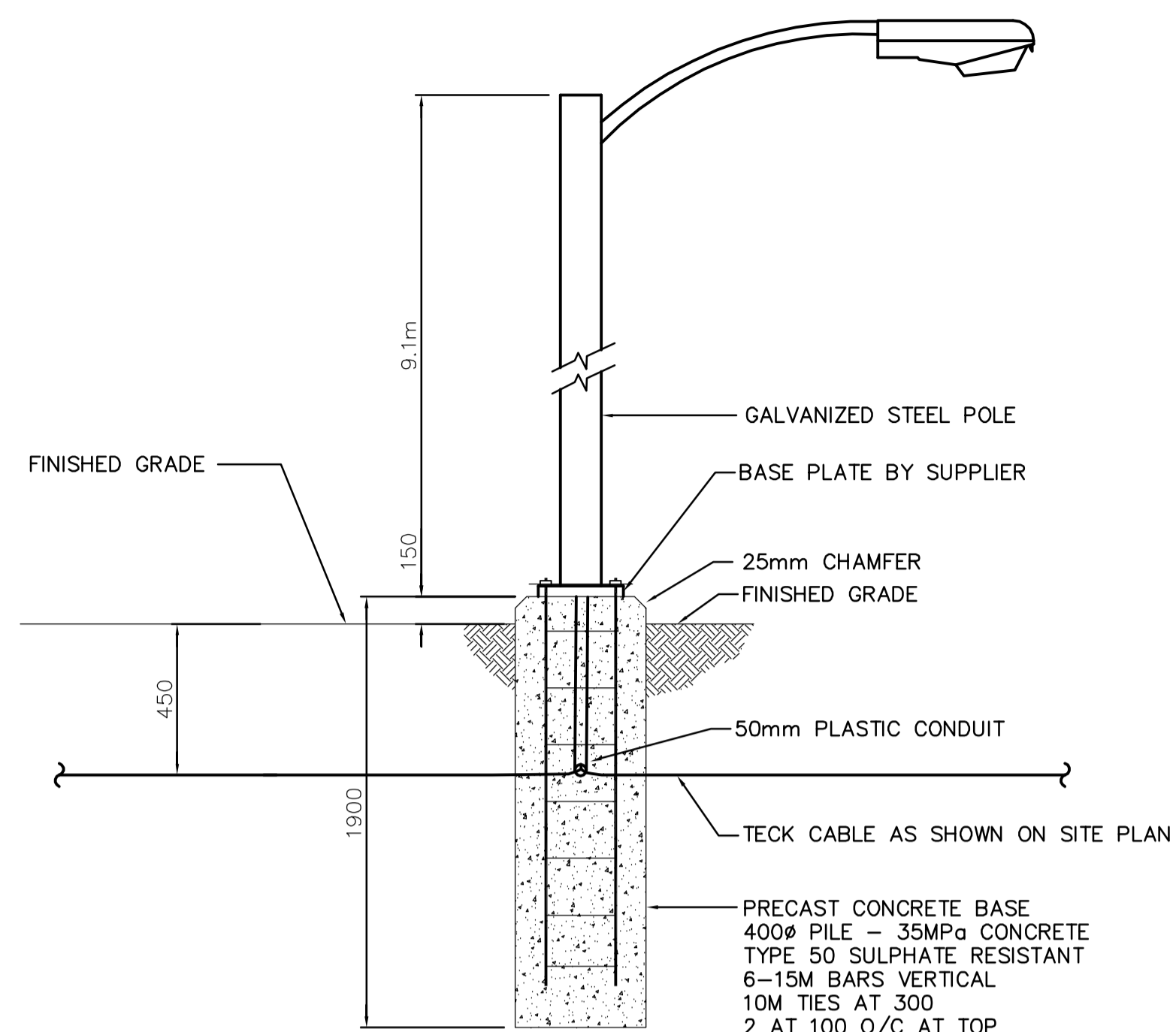


* PARKING LOT CABLING TO BE AS SHOWN ON DRAWING WY-E0181 TO EACH PARKING POST. REFER TO TRENCH DETAIL
 * REFER TO DRAWING WY-E0181 FOR EXACT LOCATION OF PARKING RECEPTACLES

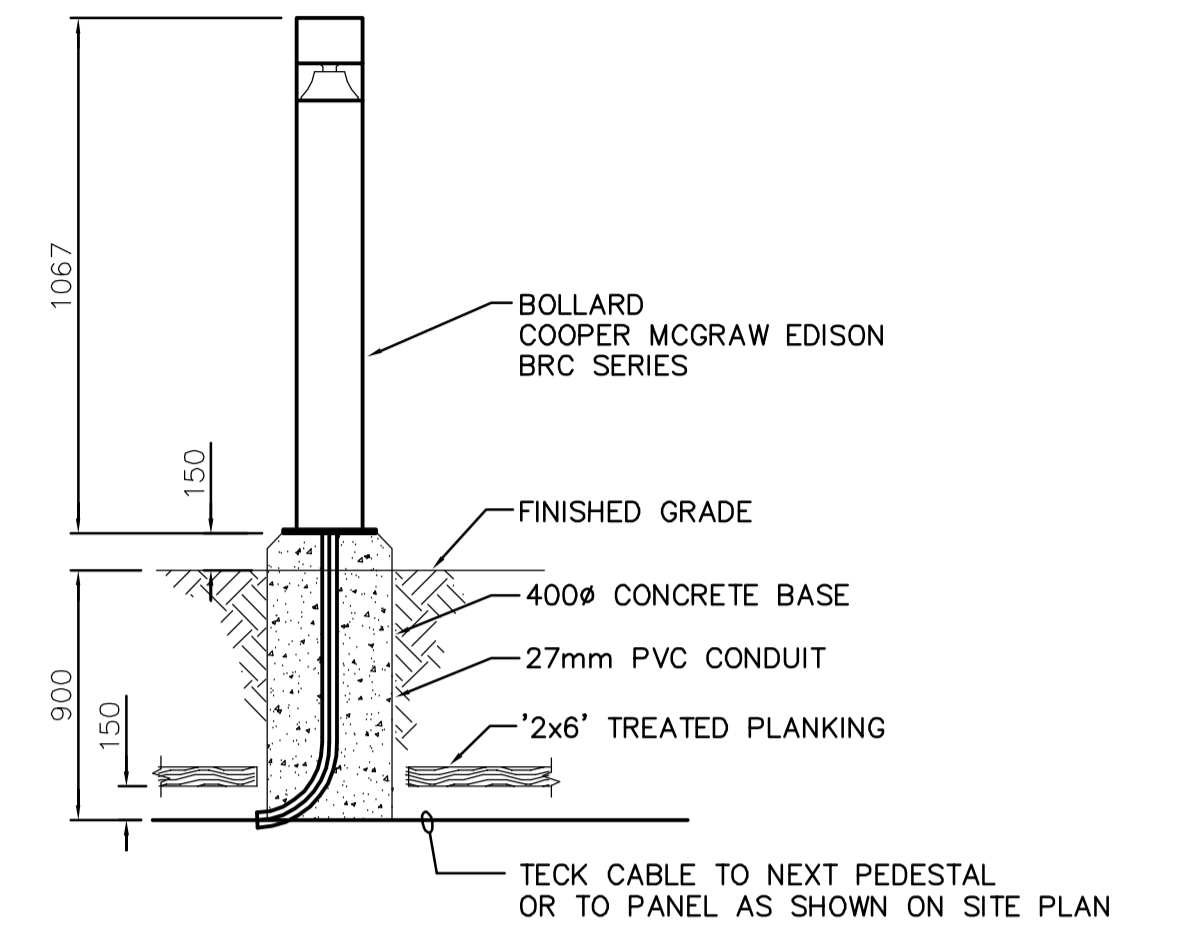
A PARKING PEDESTAL DETAIL
 WY-E0181 SCALE: NTS



B PARKING PANEL PP-Y18 DETAIL
 WY-E0180 SCALE: NTS
 WY-E0181

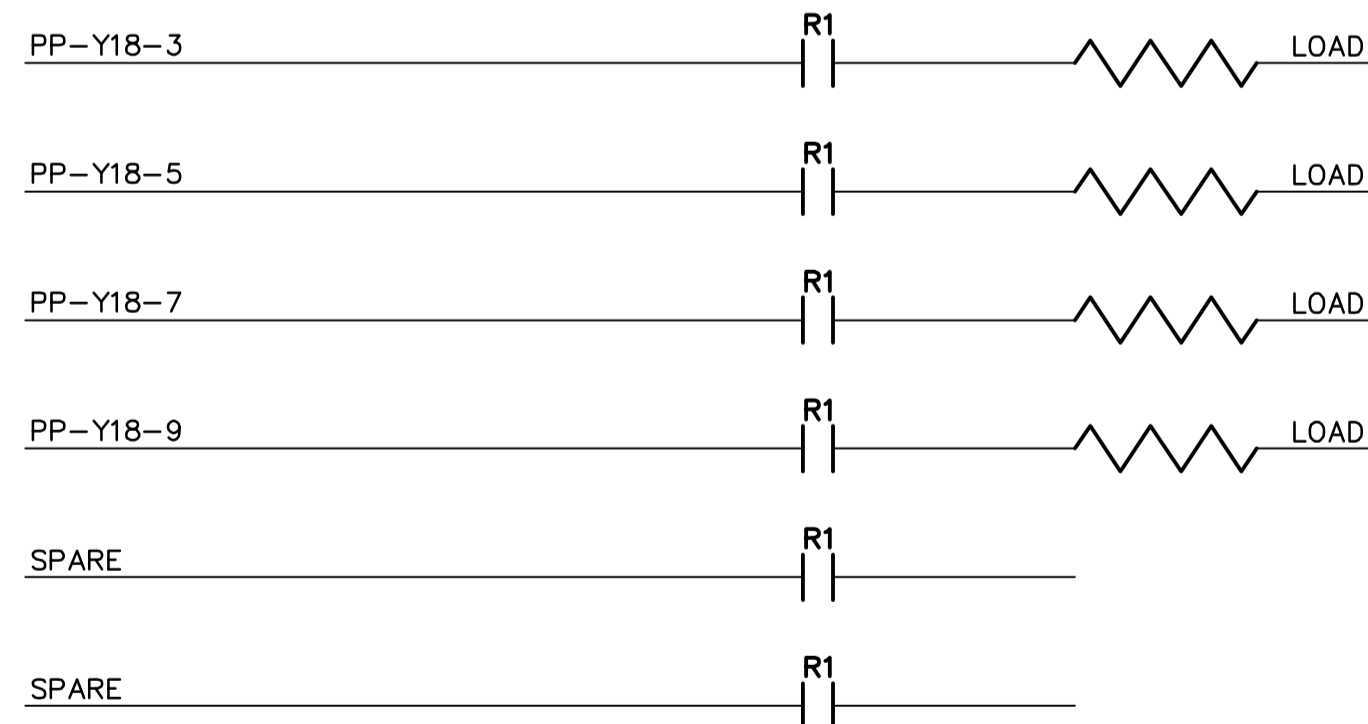
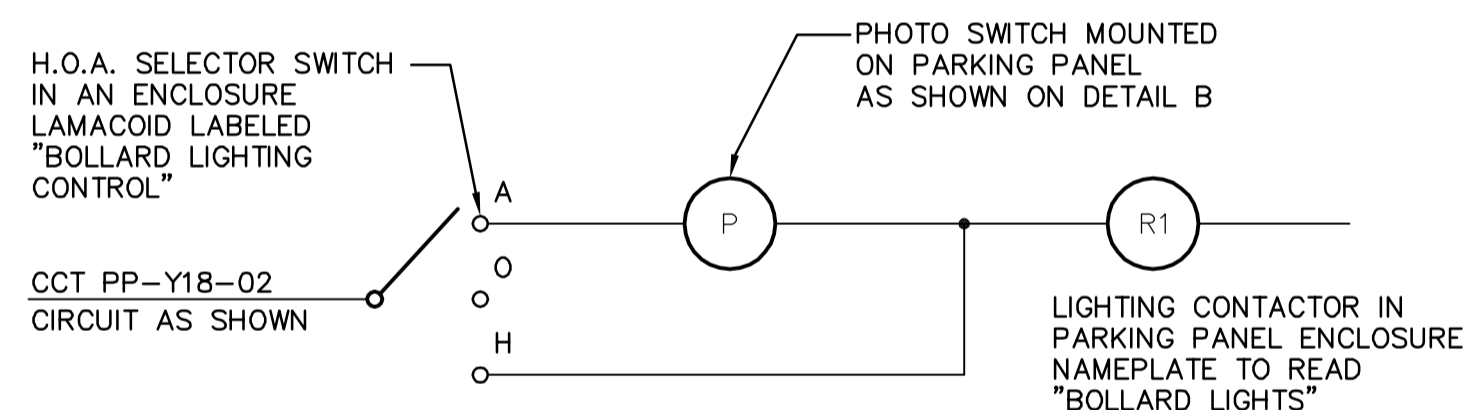


C LIGHT STANDARD (TYPE A) MOUNTING DETAIL
 WY-E0180 SCALE: NTS

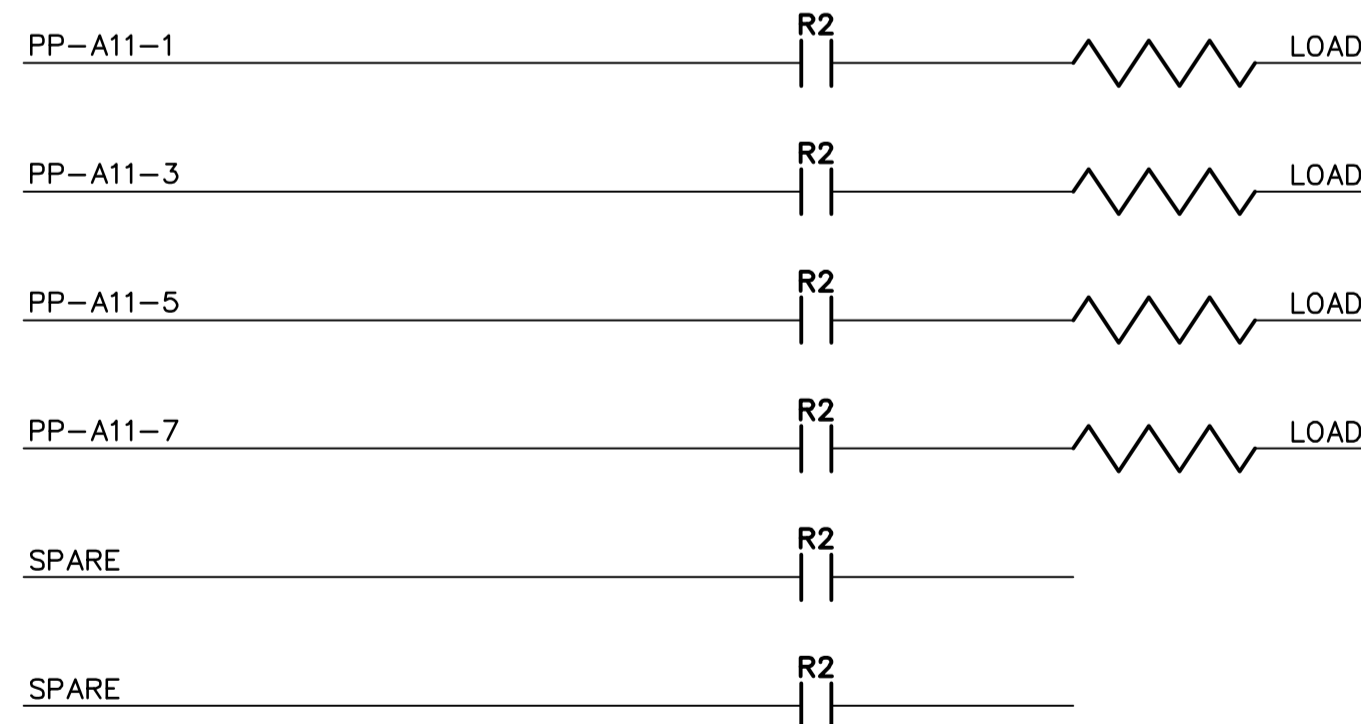
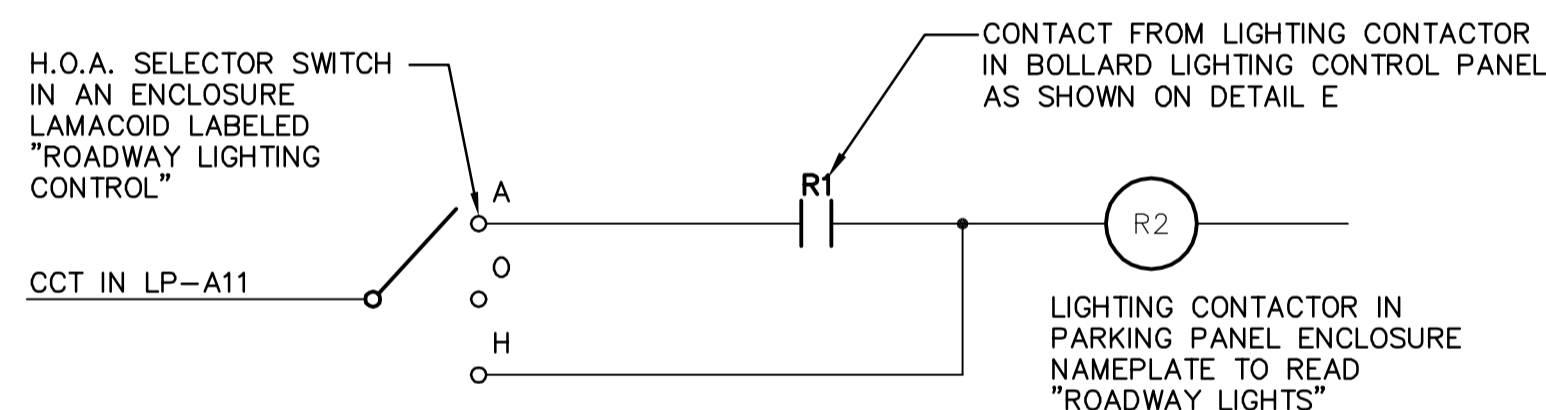


* PARKING LOT CABLING TO BE AS SHOWN ON DRAWING WY-E0181 TO EACH BOLLARD. REFER TO TRENCH DETAIL
 * REFER TO DRAWING WY-E0181 FOR EXACT LOCATION OF BOLLARDS

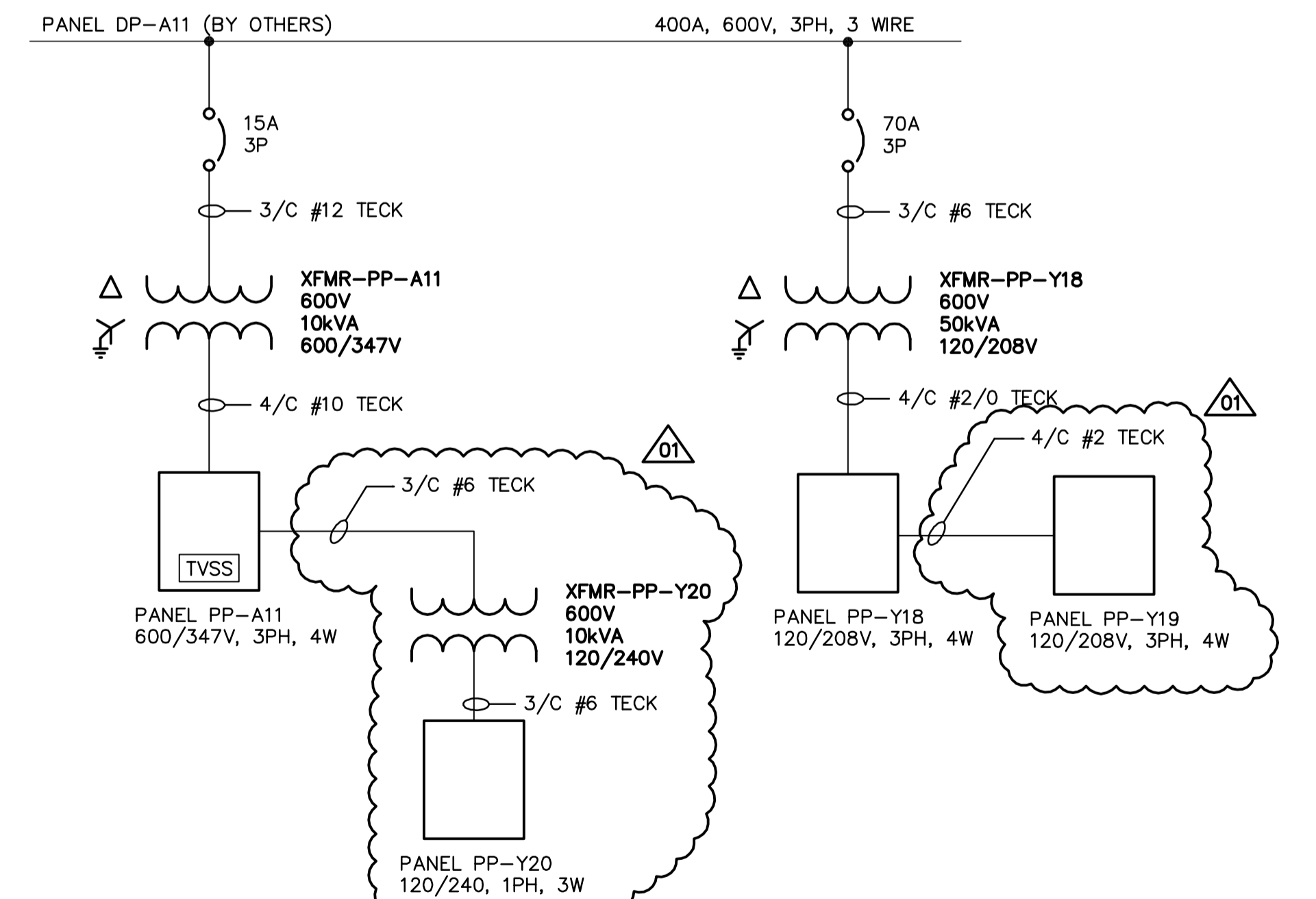
D BOLLARD LUMINAIRE (TYPE B) DETAIL
 WY-E0181 SCALE: NTS



E BOLLARD LIGHTING CONTROL DETAIL
 WY-E0180 SCALE: NTS



F ROADWAY LIGHTING CONTROL LCP-A11 DETAIL
 WY-E0481 SCALE: NTS



G SINGLE LINE DIAGRAM
 WY-E0180 SCALE: NTS

<p>APEGM Certificate of Authorization Earth Tech Canada Inc. No. 730</p>	B.M. ELEV.	<p>Frederickson Cooper ARCHITECTS</p>	<p>EarthTech A Tech International Ltd. Company</p>	ENGINEER'S SEAL	<p>THE CITY OF WINNIPEG WATER AND WASTE DEPARTMENT ENGINEERING DIVISION</p>
	DESIGNED BY BLM			CHECKED BY PS	
	DRAWN BY ERC	APPROVED BY AHL	2007/11/09		
	SCALE: NTS	RELEASED FOR CONSTRUCTION BY: R. SOROKOWSKI	CONSULTANT DRAWING NO. WY-E0480		
01 ISSUED FOR ADDENDUM 4 07/12/14 ERC	DATE 2006/11/15	DATE	DATE	WATER TREATMENT PLANT CONSTRUCTION OF ROADS AND LANDSCAPING	CITY FILE NUMBER
00 ISSUED FOR TENDER 07/11/09 ERC					SHEET OF
NO. REVISIONS	DATE	BY	DATE	ELECTRICAL DETAILS	CITY DRAWING NUMBER 1-06019-D-E0480-001-01D