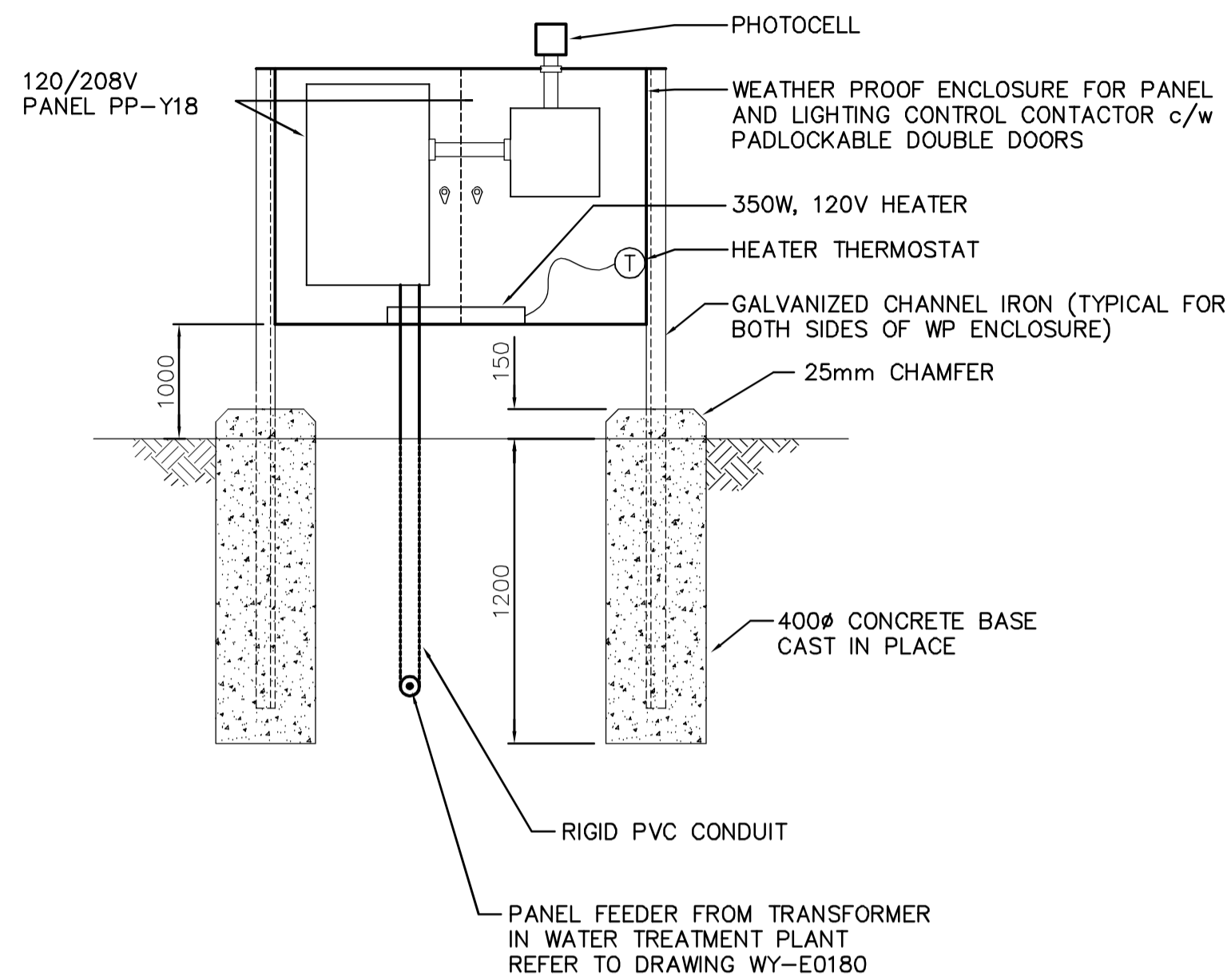
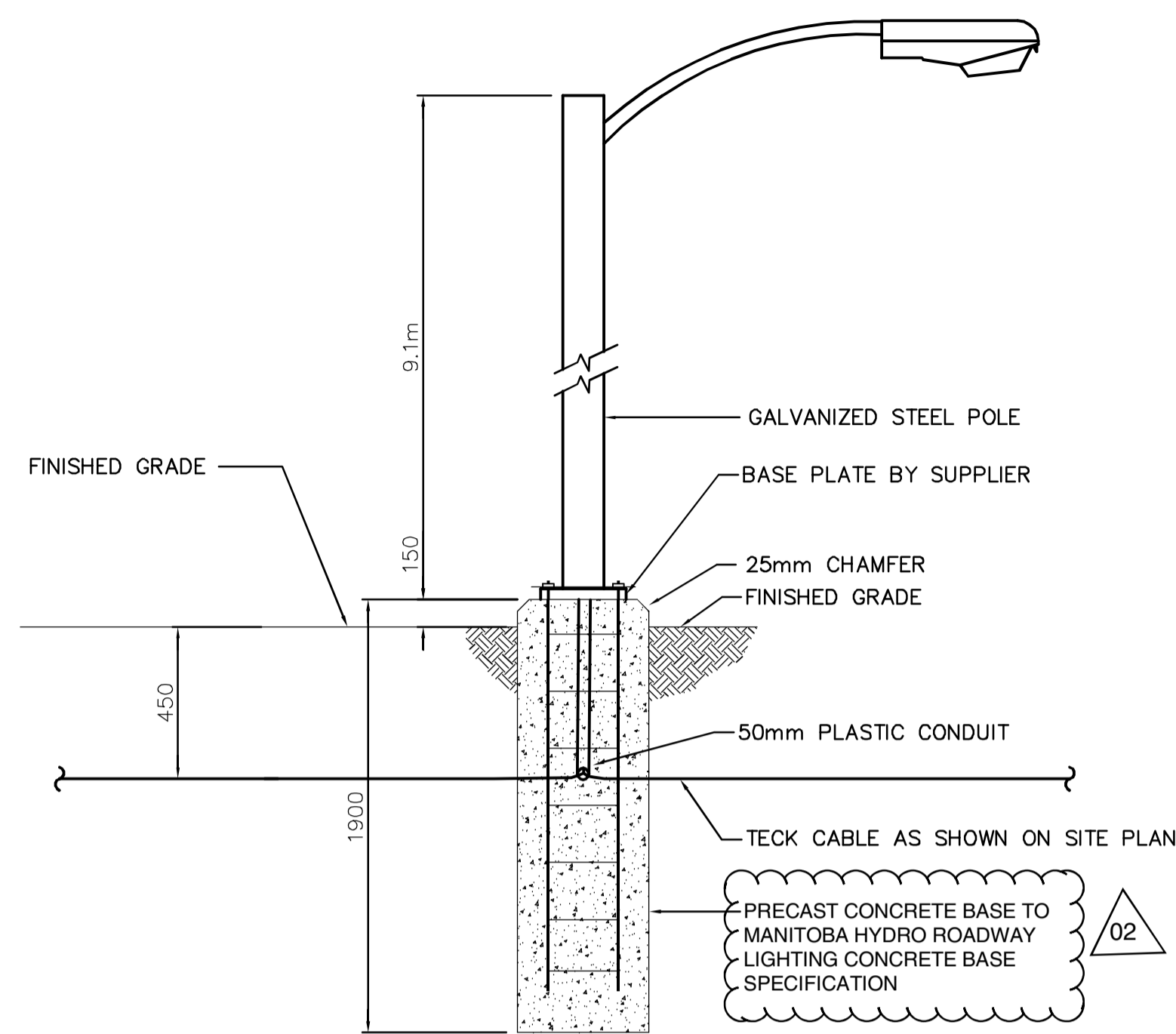


* PARKING LOT CABLING TO BE AS SHOWN ON DRAWING WY-E0181 TO EACH PARKING POST. REFER TO TRENCH DETAIL
 * REFER TO DRAWING WY-E0181 FOR EXACT LOCATION OF PARKING RECEPTACLES

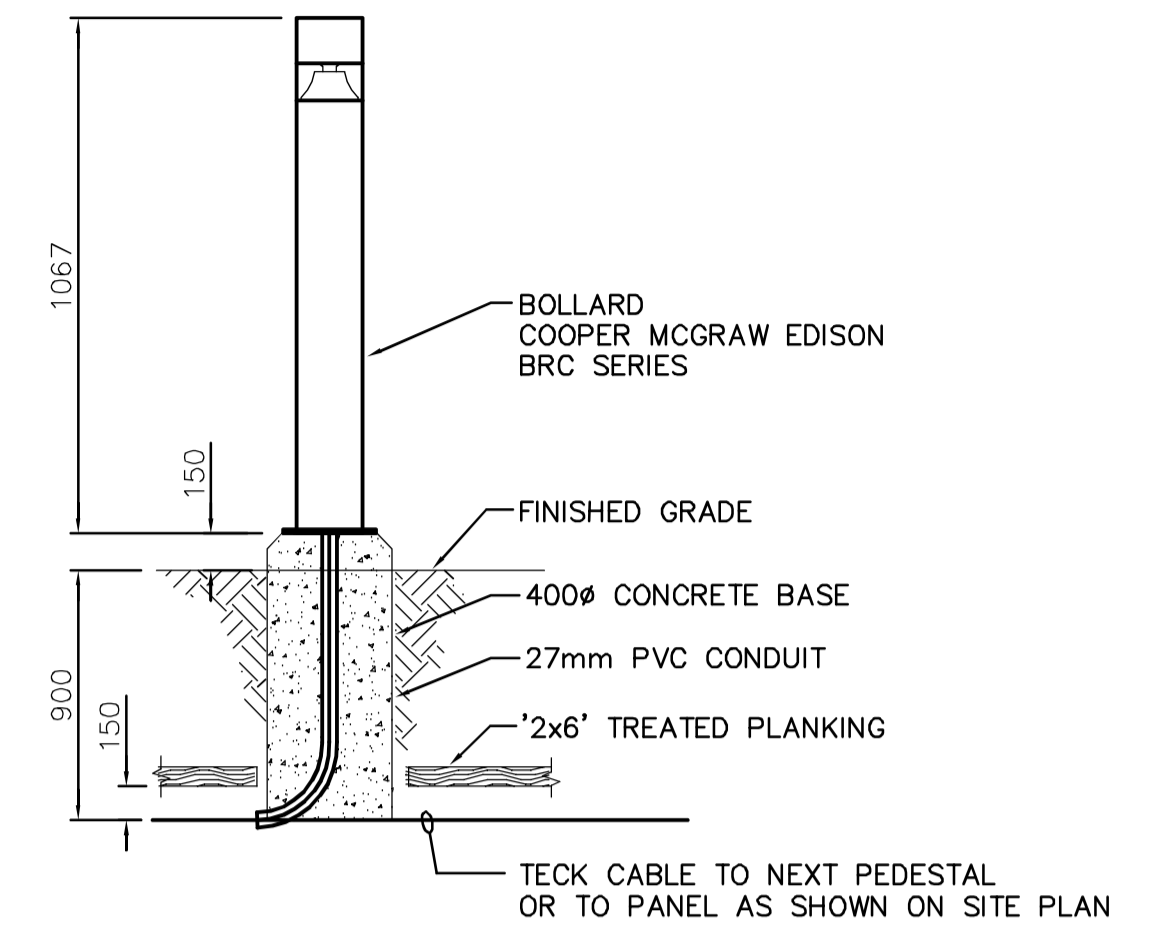
A PARKING PEDESTAL DETAIL
 WY-E0181 SCALE: NTS



B PARKING PANEL PP-Y18 DETAIL
 WY-E0180 SCALE: NTS
 WY-E0181

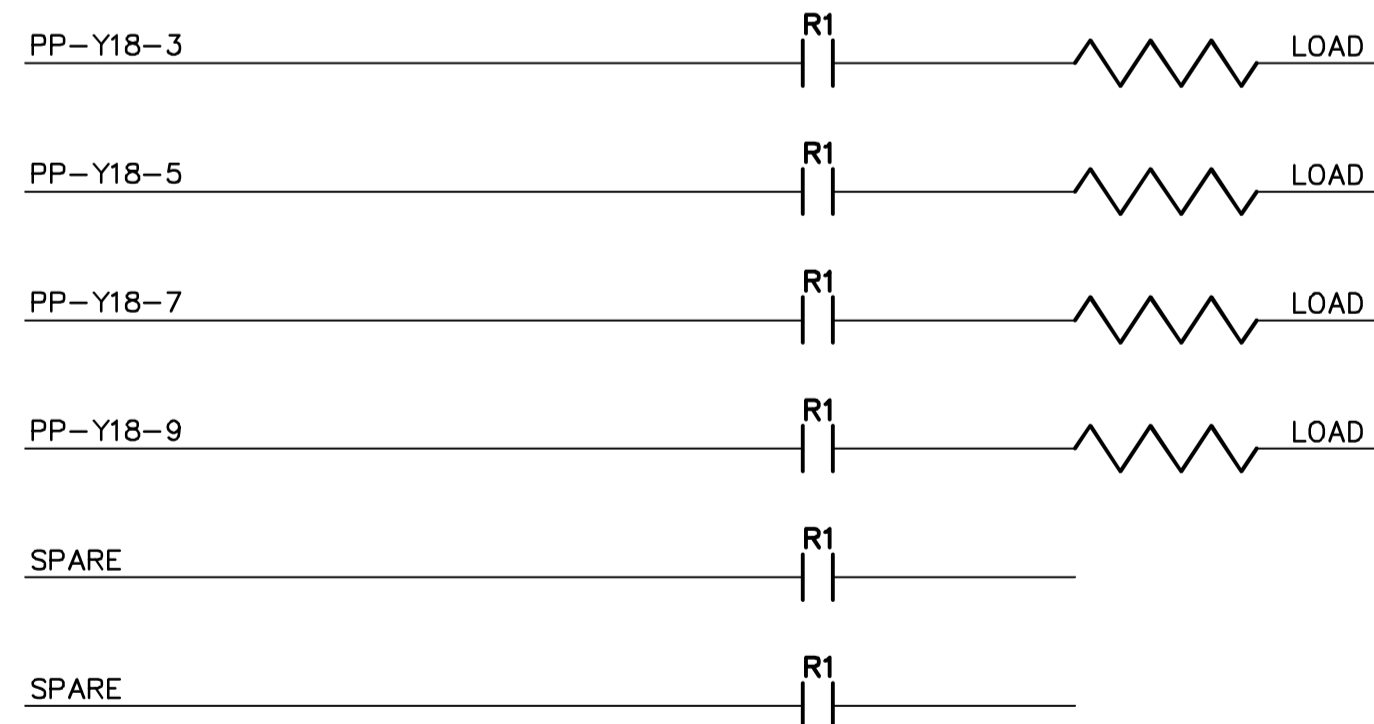
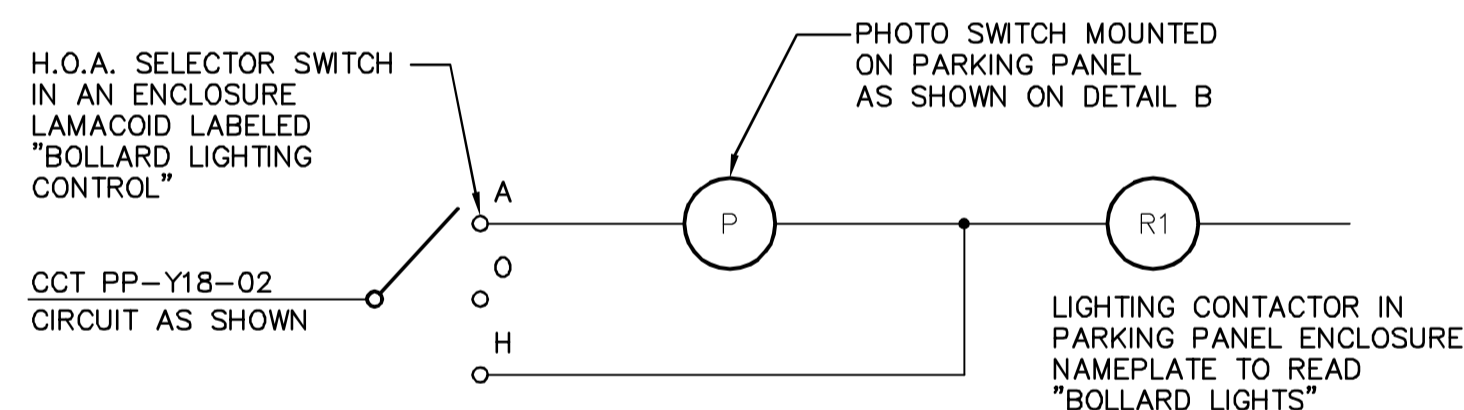


C LIGHT STANDARD (TYPE A) MOUNTING DETAIL
 WY-E0180 SCALE: NTS

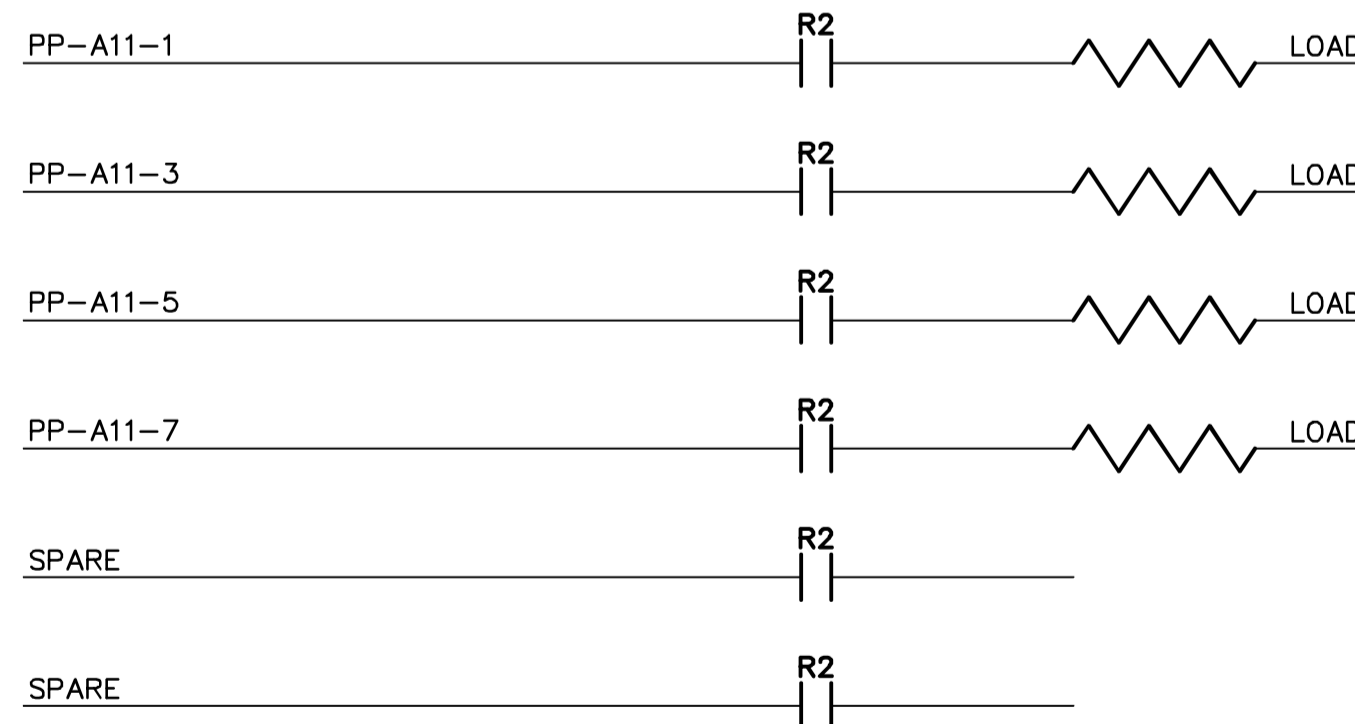
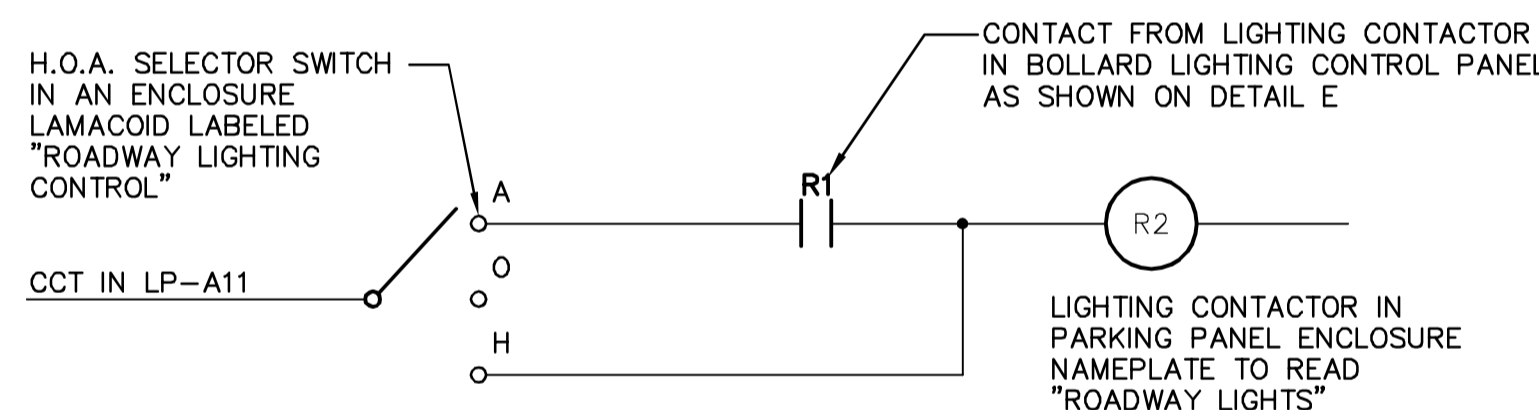


* PARKING LOT CABLING TO BE AS SHOWN ON DRAWING WY-E0181 TO EACH BOLLARD. REFER TO TRENCH DETAIL
 * REFER TO DRAWING WY-E0181 FOR EXACT LOCATION OF BOLLARDS

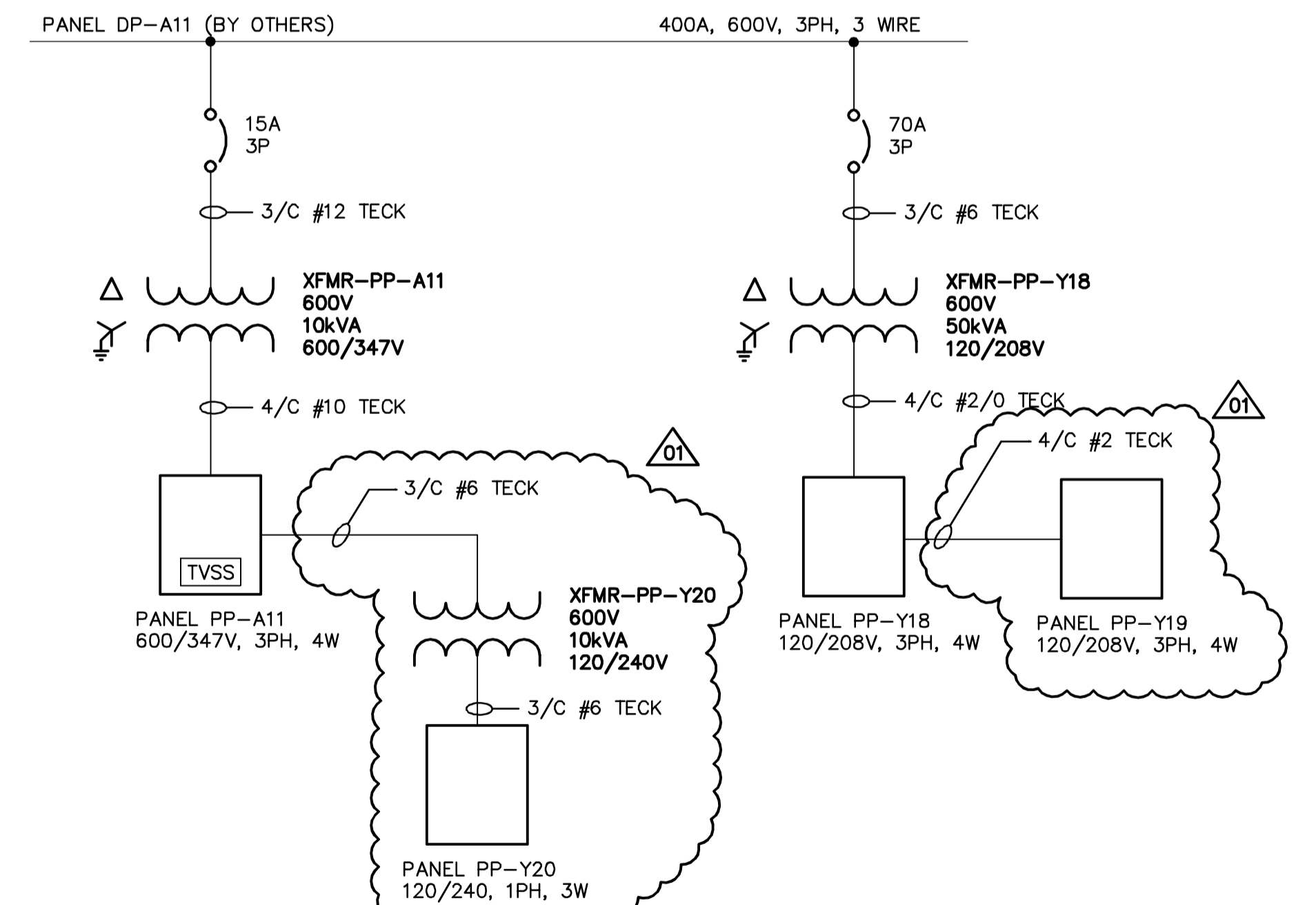
D BOLLARD LUMINAIRE (TYPE B) DETAIL
 WY-E0181 SCALE: NTS



E BOLLARD LIGHTING CONTROL DETAIL
 WY-E0180 SCALE: NTS



F ROADWAY LIGHTING CONTROL LCP-A11 DETAIL
 WY-E0481 SCALE: NTS



G SINGLE LINE DIAGRAM
 WY-E0180 SCALE: NTS

 Certificate of Authorization Earth Tech Canada Inc. No. 730	B.M. ELEV.	 Frederickson Cooper ARCHITECTS	 A Tyco International Ltd. Company	ENGINEER'S SEAL	 THE CITY OF WINNIPEG WATER AND WASTE DEPARTMENT ENGINEERING DIVISION
	DESIGNED BY BLM			CHECKED BY PS	
	DRAWN BY ERC	APPROVED BY AHL	2007/11/09		
	SCALE: NTS	RELEASED FOR CONSTRUCTION BY: R. SOROKOWSKI	CONSULTANT DRAWING NO. WY-E0480		
NO. REVISIONS	DATE BY	DATE 2006/11/15	DATE		WATER TREATMENT PLANT CONSTRUCTION OF ROADS AND LANDSCAPING
					CITY FILE NUMBER
					SHEET OF
					CITY DRAWING NUMBER
					1-0601Y-D-E0480-001-02D