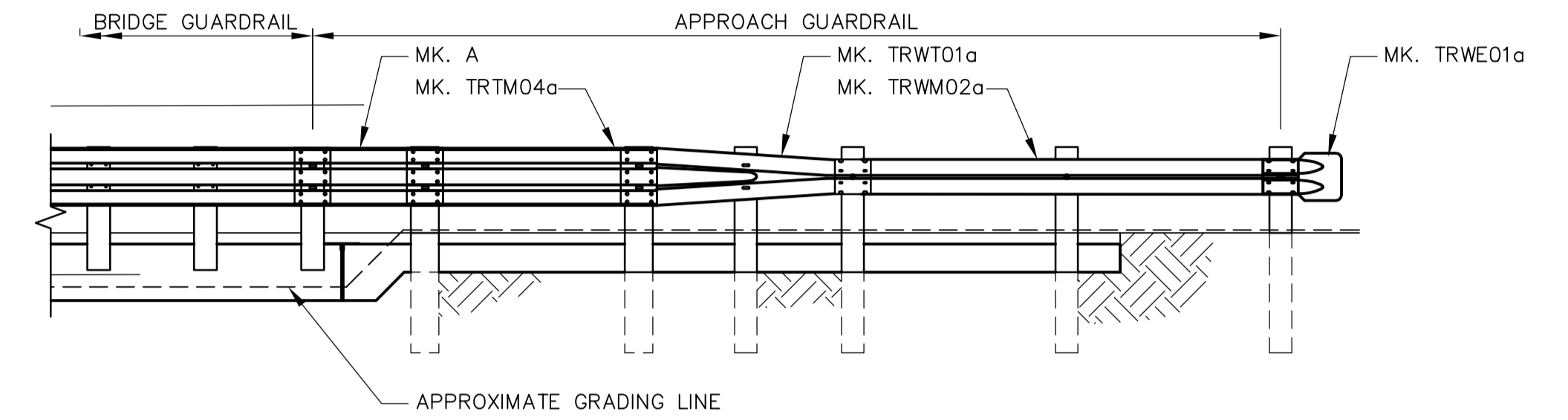
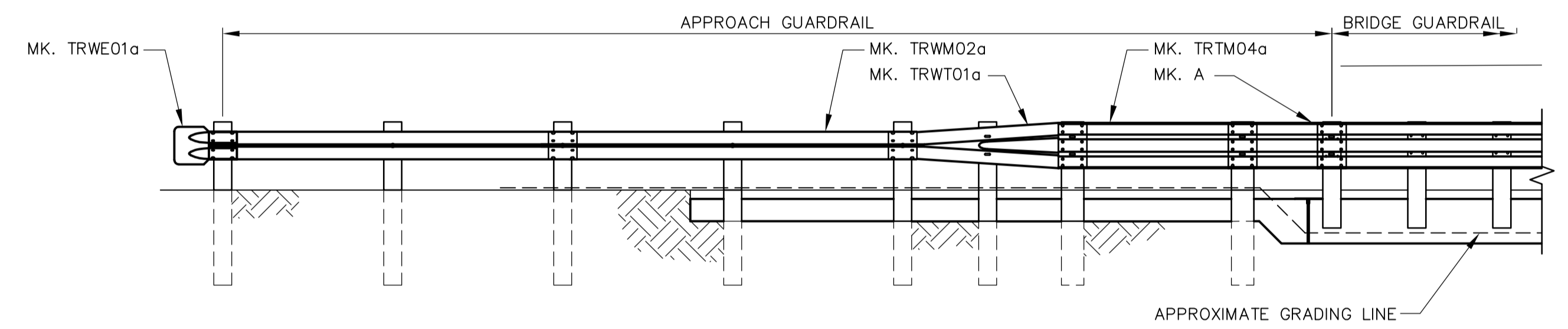


SOUTH APPROACH GUARDRAIL PLAN
SCALE 1:50

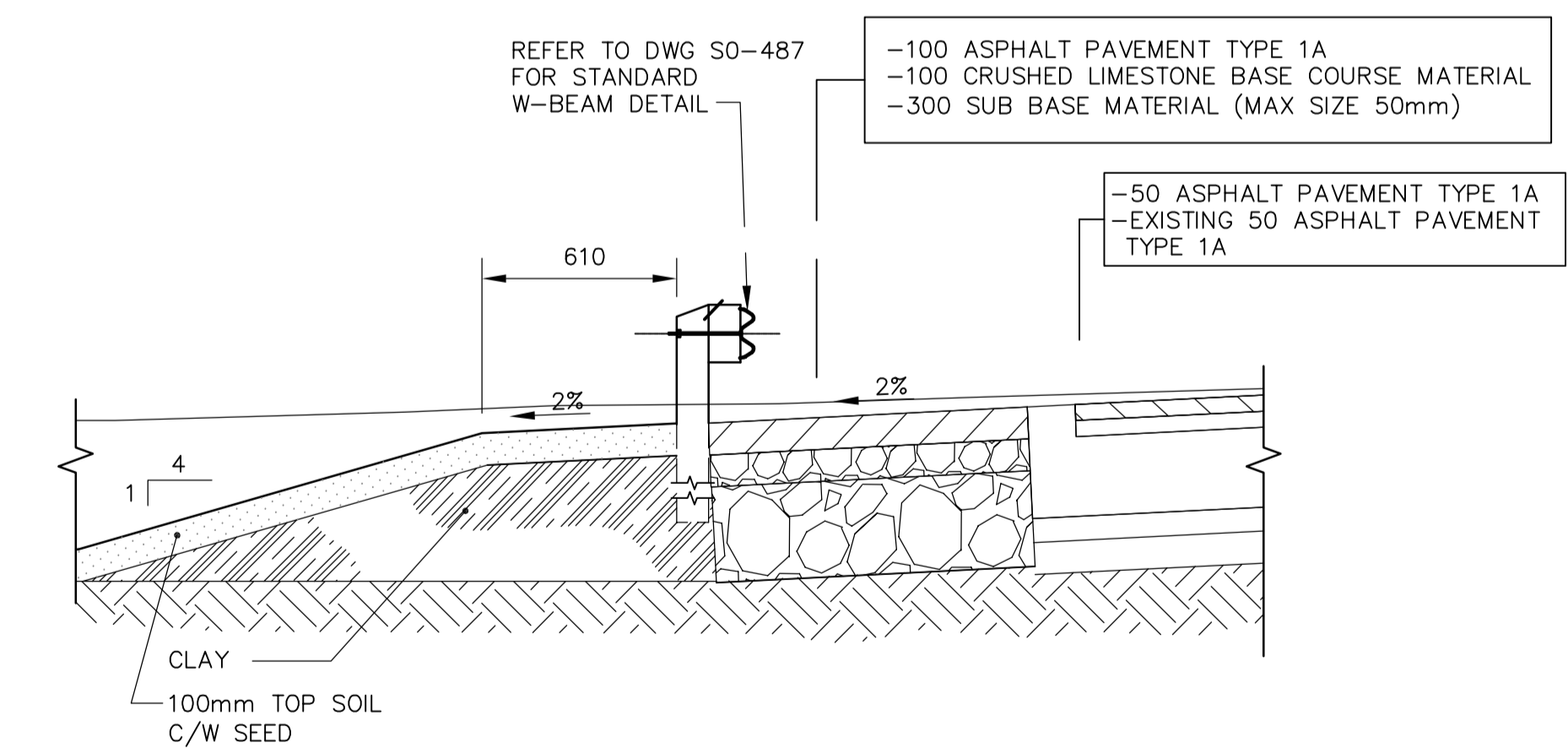
- NOTES:**
1. THRIE BEAM AND W BEAM SECTIONS SHALL BE JOINED SO THAT THE SPLICES ARE LAPPED TO FLOW WITH THE DIRECTION OF TRAFFIC.
 2. FOR GUARDRAIL DETAILS AND BILL OF MATERIAL SEE WN-S0487.
 3. READ THIS SHEET IN CONJUNCTION WITH THE STANDARD 98PL2 RAIL SYSTEM.
 4. NESTED THRIE BEAM IS TWO SECTIONS OF GUARDRAIL, ONE SET INSIDE THE OTHER.
 5. POST OFFSET DIMENSIONS SHOWN ARE FROM INSIDE FACE OF CURB.
 6. ALL NAILS TO BE GALVANIZED.
 7. ALL SPLICE BOLTS AND HEX. BOLTS (EXCLUDING POST BOLTS) TO BE TORQUED TO 100 Nm.
 8. SEE MTGS GUARDRAIL/POST STANDARD DRAWINGS AT:
www.gov.mb.ca/tgs/TrafEng/Guardrail.html



EAST ELEVATION
SCALE 1:50



WEST ELEVATION
SCALE 1:50



SECTION AT GUARDRAIL
SCALE NTS

 APEGM Certificate of Authorization Earth Tech Canada Inc. No. 730	B.M. ELEV.	 Frederickson Cooper ARCHITECTS	 A Terra International Ltd. Company	ENGINEER'S SEAL	 THE CITY OF WINNIPEG WATER AND WASTE DEPARTMENT ENGINEERING DIVISION		
				DESIGNED BY AP/JC		CHECKED BY JC	ORIGINAL SIGNED BY J.N. CRANG
				DRAWN BY KC		APPROVED BY DT	07/11/09
				SCALE: AS NOTED		RELEASED FOR CONSTRUCTION BY: R. SOROKOWSKI	CONSULTANT DRAWING NO. WN-S0485
	00 ISSUED FOR TENDER 07/11/09 PAAP	DATE 07/02/14	DATE 07/11/09	STRUCTURAL MIDDLE BRIDGE APPROACH GUARDRAIL LAYOUT AND DETAILS	CITY FILE NUMBER SHEET OF CITY DRAWING NUMBER I-0601N-A-S0485-001-00D		