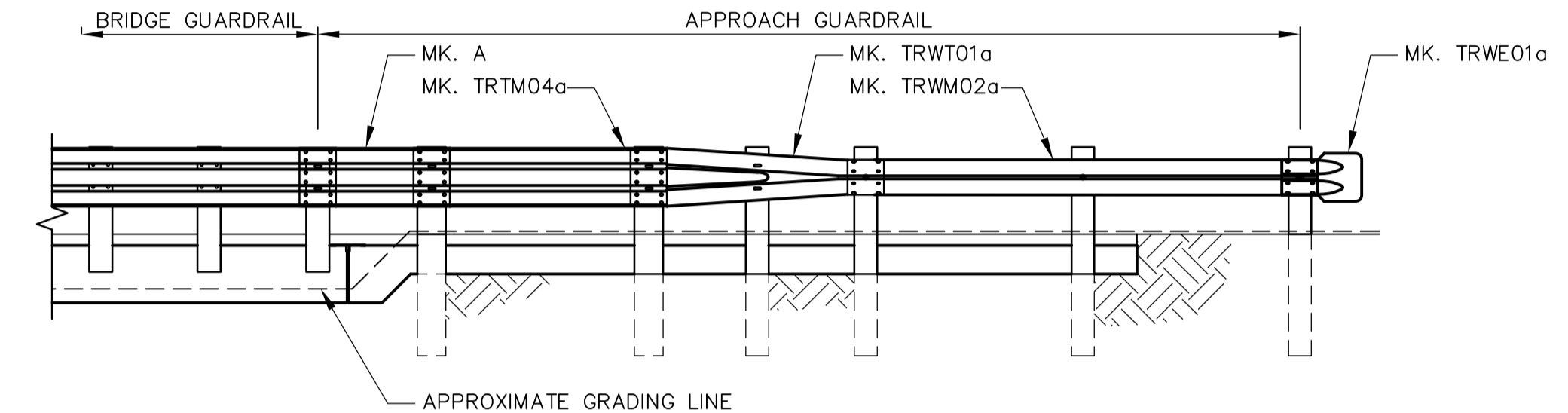


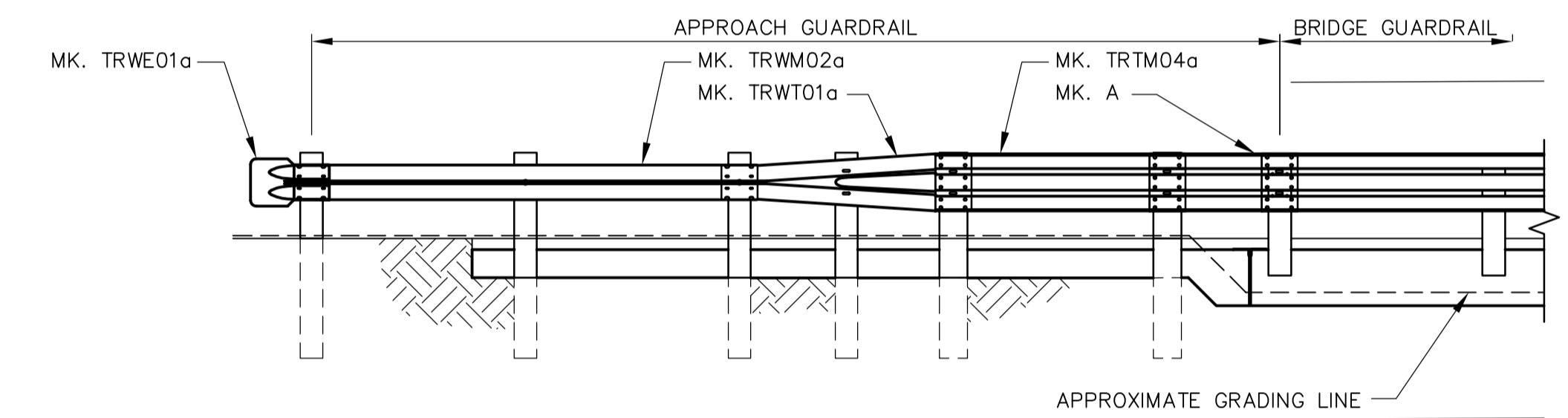
SOUTH APPROACH GUARDRAIL PLAN
SCALE 1:50

METRIC
WHOLE NUMBERS INDICATE MILLIMETRES
DECIMALIZED NUMBERS INDICATE METRES

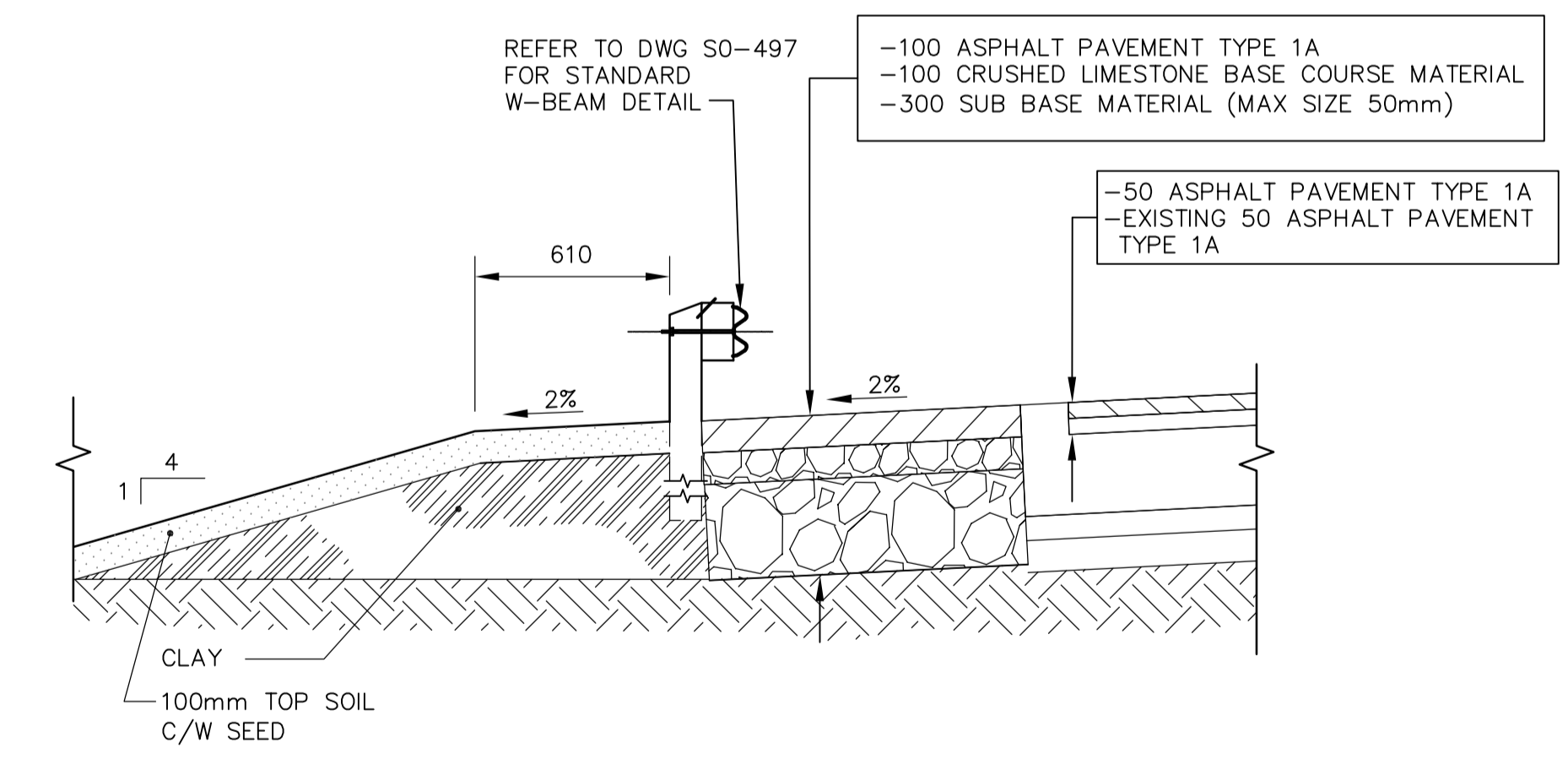
- NOTES:**
- THRIE BEAM AND W BEAM SECTIONS SHALL BE JOINED SO THAT THE SPLICES ARE LAPPED TO FLOW WITH THE DIRECTION OF TRAFFIC.
 - FOR GUARDRAIL DETAILS AND BILL OF MATERIAL SEE WN-S0497.
 - READ THIS SHEET IN CONJUNCTION WITH THE STANDARD 98PL2 RAIL SYSTEM.
 - NESTED THRIE BEAM IS TWO SECTIONS OF GUARDRAIL, ONE SET INSIDE THE OTHER.
 - POST OFFSET DIMENSIONS SHOWN ARE FROM INSIDE FACE OF CURB.
 - ALL NAILS TO BE GALVANIZED.
 - ALL SPLICE BOLTS AND HEX. BOLTS (EXCLUDING POST BOLTS) TO BE TORQUED TO 100 Nm.
 - SEE MTGS GUARDRAIL/POST STANDARD DRAWINGS AT:
www.gov.mb.ca/tgs/TrafEng/Guardrail.html



EAST ELEVATION
SCALE 1:50



WEST ELEVATION
SCALE 1:50



1 TYPICAL SECTION AT GUARDRAIL
S0495 SCALE NTS

 Certificate of Authorization Earth Tech Canada Inc. No. 730	B.M. ELEV.	 Frederickson Cooper ARCHITECTS	 A Terra International Ltd. Company	ENGINEER'S SEAL	 THE CITY OF WINNIPEG WATER AND WASTE DEPARTMENT ENGINEERING DIVISION		
				DESIGNED BY AP/JC		CHECKED BY JC	ORIGINAL SIGNED BY J.N. CRANG
				DRAWN BY KC		APPROVED BY AHL	07/11/09
				SCALE: AS NOTED		RELEASED FOR CONSTRUCTION BY: R. SOROKOWSKI	CONSULTANT DRAWING NO. WN-S0495
	00 ISSUED FOR TENDER 07/11/09 PAAP	DATE 07/02/14	DATE 07/11/09	STRUCTURAL EASTERN BRIDGE APPROACH GUARDRAIL LAYOUT AND DETAILS	CITY FILE NUMBER		
	NO. REVISIONS				SHEET OF		
					CITY DRAWING NUMBER		
					1-0601N-A-S0495-001-00D		