

SOUTH TRANSCONA COMMUNITY CLUB

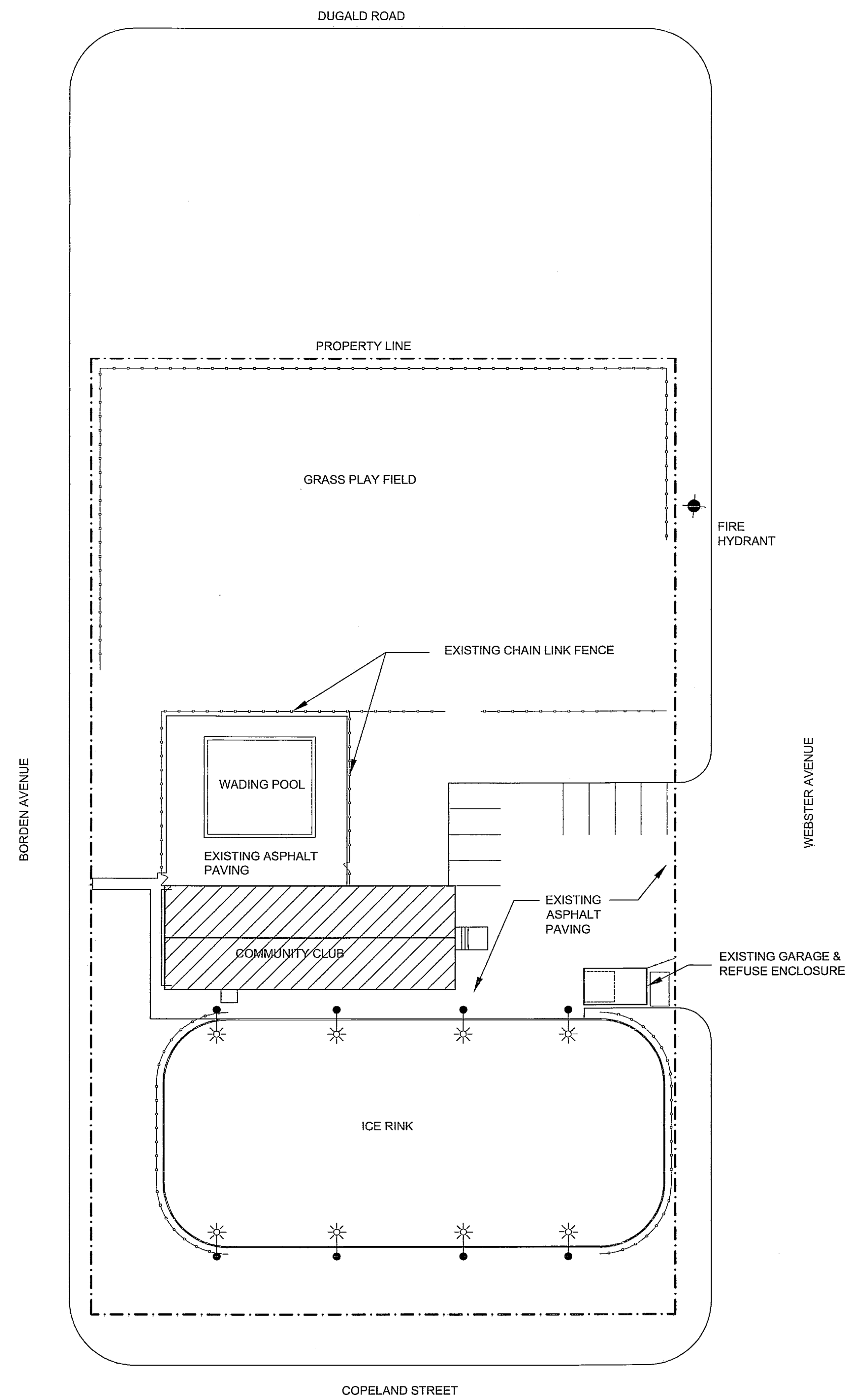
EXTERIOR WALL UPGRADES

124 BORDEN AVENUE . WINNIPEG . MANITOBA

Ownership of Documents:
Drawings and specifications as instruments of service are and shall remain the property of the Architect whether the project for which they are made is executed or not. They are not to be used by the owner on other projects or extensions to this project except by agreement in writing and with appropriate compensation to the Architect.

This drawing shall not be scaled. Follow given dimensions only.

ALL DIMENSIONS ARE APPROXIMATE



DRAWING LIST

ARCHITECTURAL

- A-0 SITE PLAN & PROJECT DATA
- A-1 DEMOLITION FLOOR PLAN & ELEVATIONS
- A-2 RENOVATION FLOOR PLAN & ELEVATIONS
- A-3 WALL SECTIONS & DETAILS
- A-4 DETAILS
- A-5 SPECIFICATIONS

SUPPLEMENTAL

- SK-1 BUILDING PLAN
- SK-2 ELEVATIONS
- SK-3 ELEVATIONS

SYMBOL LEGEND

- REMOVE OBJECTS
- 1 DRAWING NOTE
- * LIGHT STANDARD
- CHAIN LINK FENCING
- ◇ WALL TYPES
- EXISTING WALL CONSTRUCTION

PROJECT DATA

PROJECT INFORMATION

- Civil Address: 124 Borden Avenue
- Owner: City of Winnipeg
- Building Area: 2800 s.f. (260 s.m)
- Construction: Concrete Block
- Zoning: PR1, Parks & Recreation District

BUILDING CODE REVIEW

- Classification: A2 Assembly Occupancy
- Conforming Construction: 3.2.2.28 One Storey facing 3 streets

DESCRIPTION OF WORK

- The major components of the Work are as follows:
- Exterior wall upgrades.
- Replace existing window units with hermetically sealed double glazed in thermally broken aluminum framing system.
- Structural Repairs to existing masonry walls.
- Miscellaneous specialty items (i.e. lighting, relocate A/C units, wire mesh screens, etc.)

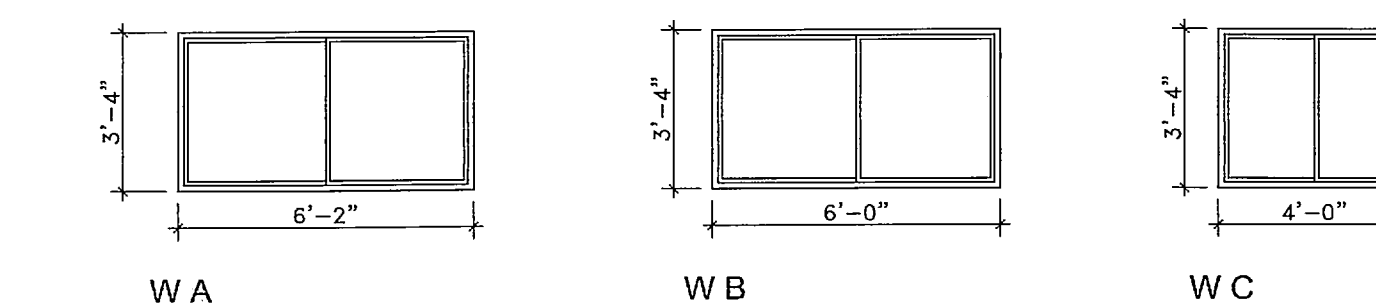
GENERAL NOTES

1. The Contractor shall review all drawings before commencing the Work and report any discrepancies to the Contract Administrator.
2. Building dimensions are for reference only. Existing dimensions are to be site verified before beginning construction. Report discrepancies to the Contract Administrator before proceeding.
3. All inconsistencies and errors shall be promptly reported to the Contract Administrator for correction prior to continuation of work.
4. The Contractor shall schedule and coordinate all work between Subcontractors and specialty items.
5. It is the responsibility of the Contractor and Subcontractors to install all products according to the manufacturer's instructions. Failure to do so can result in reinstallation of such at no extra cost to the City.
6. The Contract Administrator will assist in all matters requiring clarification, interpretation, or additional details when necessary during the Contract.

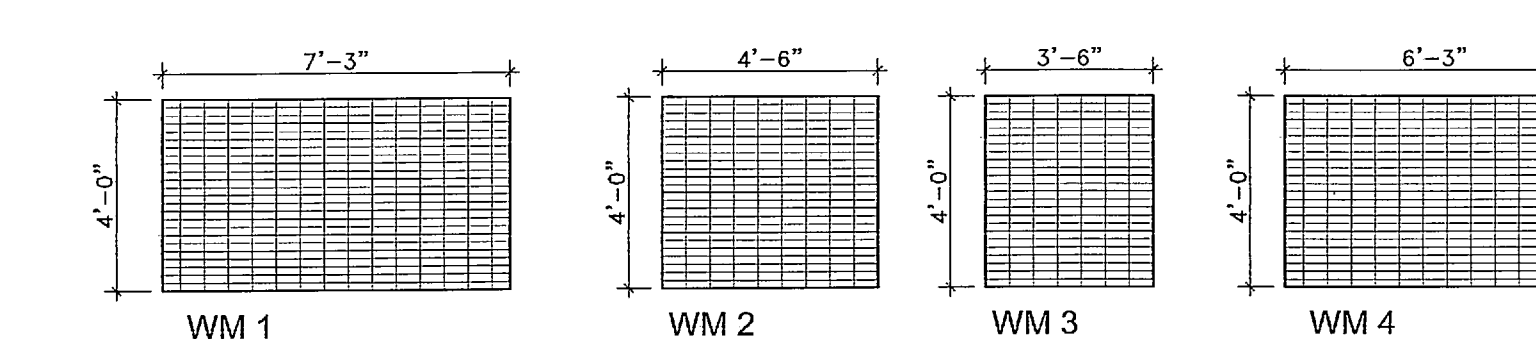
WALL TYPES

- ◇1 THIN BRICK VENEER GROUTED AND BEDDED IN MORTAR OVER TWO COATS OF LATEX ADMIX AND GALVANIZED WIRE MESH MECHANICALLY FASTENED TO 1/2" T&G PLYWOOD MECHANICALLY FASTENED AND GLUED WITH EDGES SECURED TO VERTICAL GALVANIZED Z-GIRTS @24" o/c 3" RIGID INSULATION (R15) AIR / VAPOUR BARRIER, APPLIED TO CLEANED AND REPAIRED EXISTING 8" CONCRETE BLOCK C/W LOOSE FILL VERMICULITE INSULATION
- ◇2 PAINTED FIBRE REINFORCED CEMENTITIOUS PANELS 1X4 WOOD STRAPPING ON GALVANIZED Z-GIRTS @ 24" o/c 3" RIGID INSULATION (R15) AIR / VAPOUR BARRIER APPLIED TO CLEANED AND REPAIRED EXISTING 8" CONCRETE BLOCK C/W LOOSE FILL VERMICULITE INSULATION

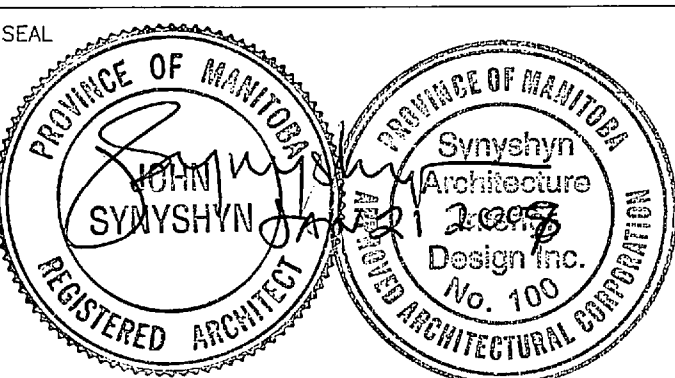
WINDOW TYPES



WIRE MESH PANEL TYPES



1. TENDER JANUARY 18, 2008
ISSUED FOR



ARCHITECT / PRIME CONSULTANT
SYNERGY ARCHITECTURE
ARCHITECTURE PLANNING
INTERIOR DESIGN
FACILITY MANAGEMENT
PRESENTATIONS
603-63 ALBERT STREET WINNIPEG MANITOBA CANADA R3B 1G4
TELEPHONE 947-1100 FACSIMILE 956-5742
ENGINEERING CONSULTANT

ENGINEERING CONSULTANT

BID OPPORTUNITY NO. 11-2008

PROJECT TITLE

SOUTH TRANSCONA COMMUNITY CLUB
EXTERIOR WALL UPGRADES

124 BORDEN AVENUE

DRAWING TITLE

SITE PLAN &
PROJECT DATA

DESIGNED BY DRAWN BY AD, JK

ISSUE DATE 01/18/2008 REVISION No.

PROJECT No. 681 DRAWING No. **A-0**

1 Site Plan
A-0 Scale N.T.S.

