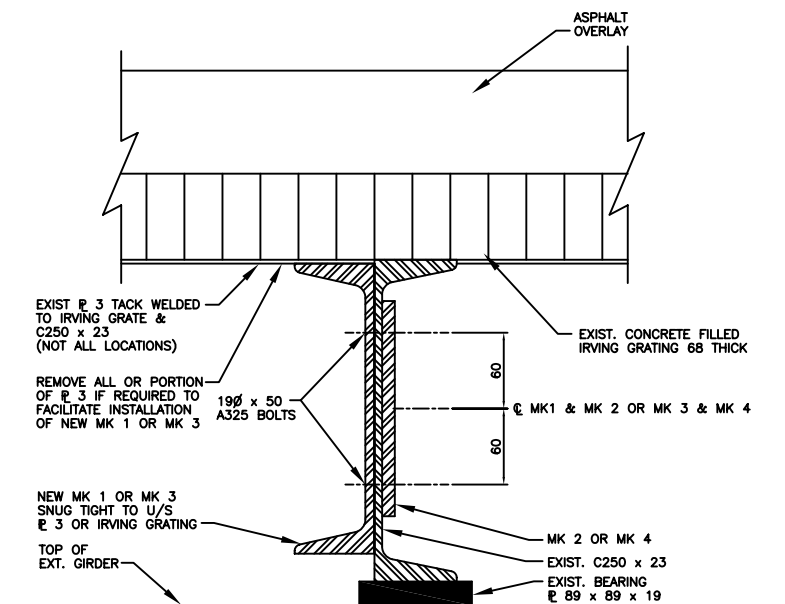
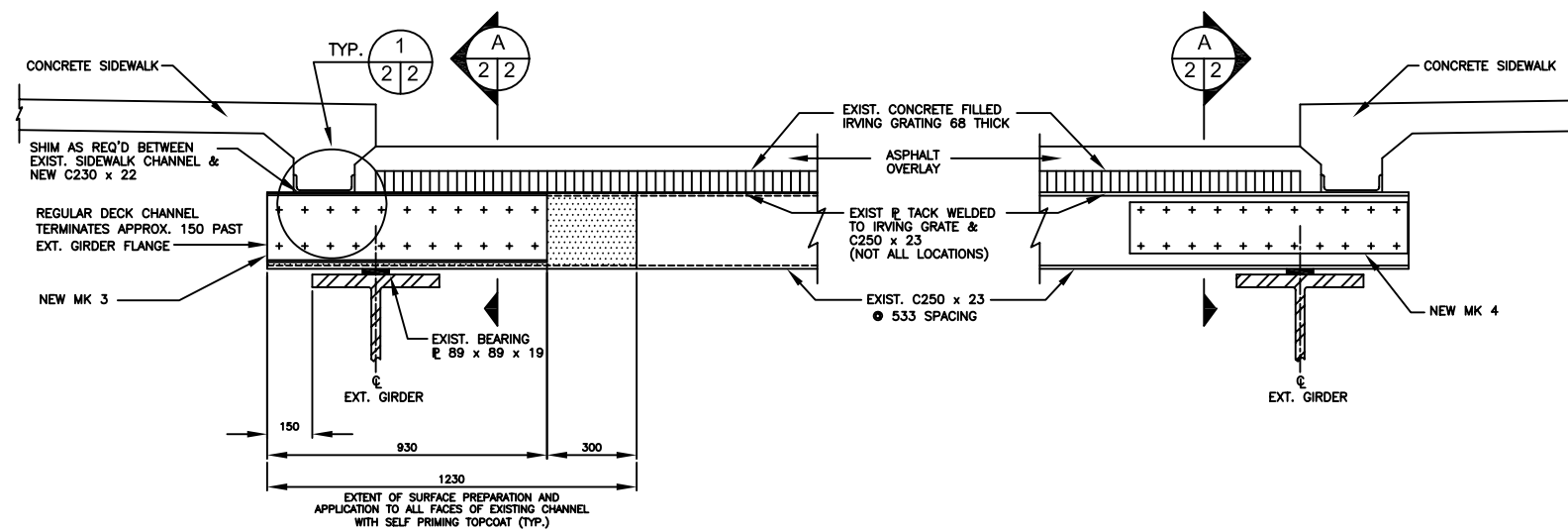


ELEVATION - CANTILEVERED DECK CHANNEL REINFORCEMENT OVER EXTERIOR GIRDER (TYPE 1 REPAIR)

N.T.S.

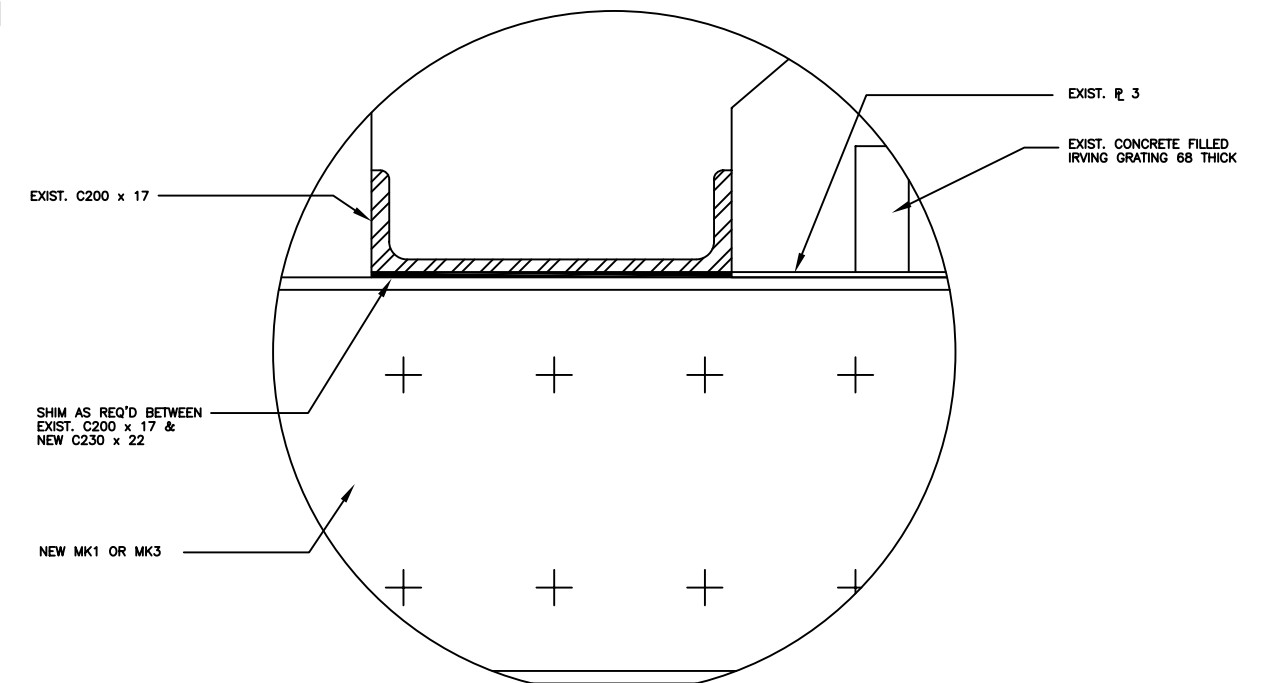


SECTION A  
N.T.S. 2/2



ELEVATION - REGULAR DECK CHANNEL REINFORCEMENT OVER EXTERIOR GIRDER (TYPE 2 REPAIR)

N.T.S.



DETAIL 1  
N.T.S. 2/2

METRIC  
WHOLE NUMBERS INDICATE MILLIMETRES  
DECIMALIZED NUMBERS INDICATE METRES

NOTE:

B.M. ELEV.	DESIGNED BY: B.A.N.		
	DRAWN BY: M.R.T.		
	CHECKED BY: B.A.N.		
	APPROVED BY: B.A.N.		
	AUTHORIZED BY:		
NO. REVISION	DATE	BY	B.A. NEIRINCK BRIDGE PLANNING & OPERATIONS ENGINEER

ENGINEER'S SEAL  
PROVINCE OF MANITOBA  
ORIGINAL SIGNED BY:  
B.A.J. NEIRINCK  
2008/02/18  
REGISTERED PROFESSIONAL ENGINEER  
BID OPPORTUNITY NO.:  
110-2008

<b>CITY OF WINNIPEG</b> PUBLIC WORKS DEPARTMENT ENGINEERING DIVISION		SHEET 2 OF 4
DISRAELI OVERPASS STRUCTURAL STEEL DECK REPAIRS		HORIZONTAL: N.T.S. VERTICAL: N.T.S.
ELEVATIONS, DETAILS & SECTIONS (SHEET 1 OF 2)		CITY DRAWING NUMBER: B112-08-02