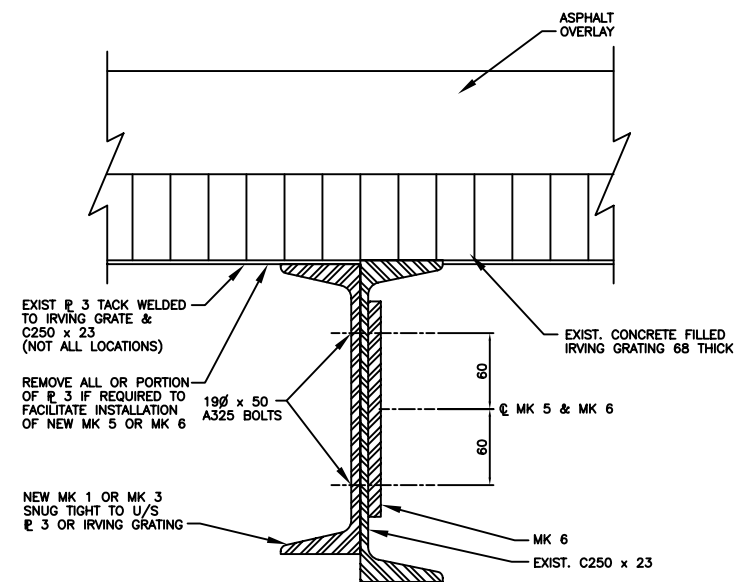


ELEVATION - DECK CHANNEL REINFORCEMENT
BETWEEN GIRDERS 3 & 4 (TYPE 3 REPAIR)

N.T.S.



SECTION 2/3/3
N.T.S.

NOTE:

NO.	REVISION	DATE	BY

DESIGNED BY: B.A.N.
 DRAWN BY: M.R.T.
 CHECKED BY: B.A.N.
 APPROVED BY: B.A.N.
 AUTHORIZED BY:
 B.A. NEIRINCK
 BRIDGE PLANNING & OPERATIONS ENGINEER

ENGINEER'S SEAL
 PROVINCE OF MANITOBA
 ORIGINAL SIGNED BY:
 B.A.J. NEIRINCK
 2008/02/18
 REGISTERED PROFESSIONAL ENGINEER
 BID OPPORTUNITY NO.:
 110-2008

CITY OF WINNIPEG
 PUBLIC WORKS DEPARTMENT
 ENGINEERING DIVISION

DISRAELI OVERPASS
 STRUCTURAL STEEL DECK REPAIRS

ELEVATIONS, DETAILS & SECTIONS
 (SHEET 2 OF 2)

SHEET 3 OF 4
 HORIZONTAL: N.T.S.
 VERTICAL: N.T.S.
 CITY DRAWING NUMBER:
 B112-08-03

METRIC
 WHOLE NUMBERS INDICATE MILLIMETRES
 DECIMALIZED NUMBERS INDICATE METRES