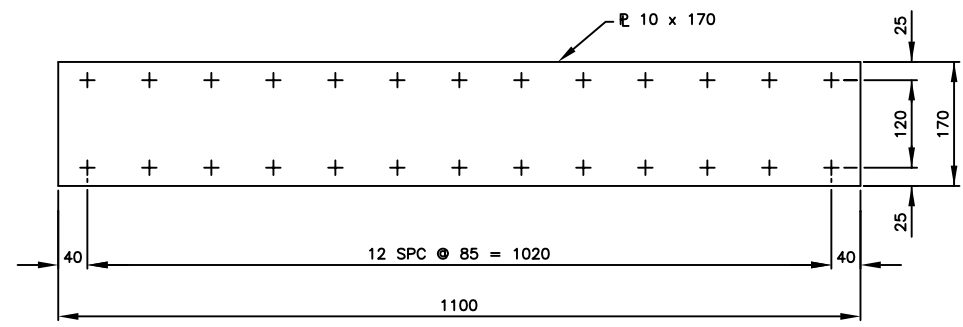
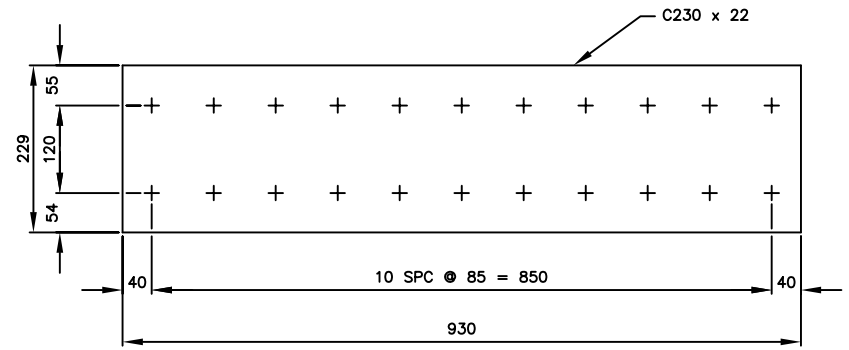


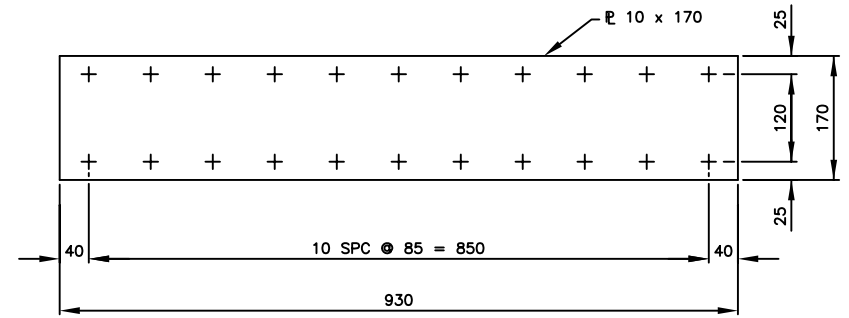
MK 1 – NEW C230 x 22 x 1100
N.T.S.



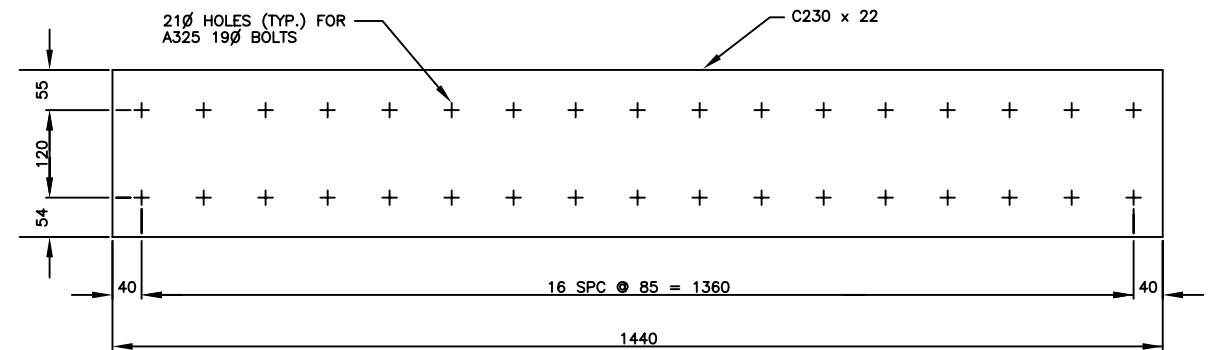
MK 2 – NEW R 10 x 170 x 1100
N.T.S.



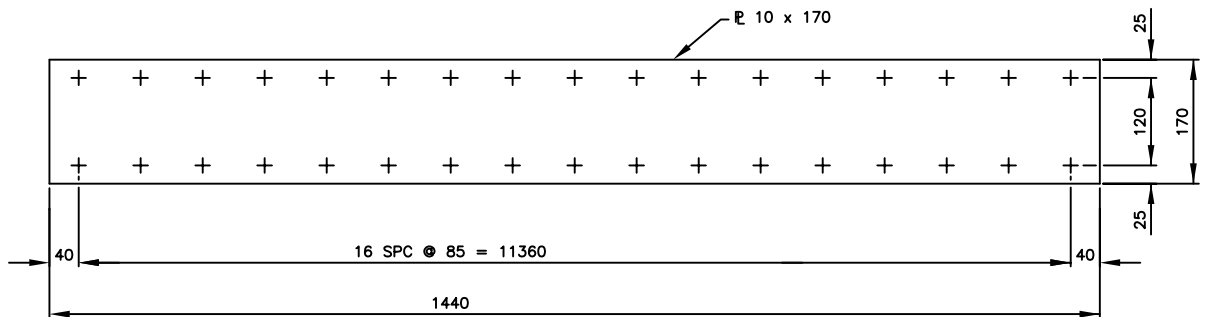
MK 3 – NEW C230 x 22 x 930
N.T.S.



MK 4 – NEW R 10 x 170 x 930
N.T.S.



MK 5 – NEW C230 x 22 x 1440
N.T.S.



MK 6 – NEW R 10 x 170 x 1440
N.T.S.

METRIC
WHOLE NUMBERS INDICATE MILLIMETRES
DECIMALIZED NUMBERS INDICATE METRES

NOTE:

DESIGNED BY: B.A.N.	
DRAWN BY: M.R.T.	
CHECKED BY: B.A.N.	
APPROVED BY: B.A.N.	
AUTHORIZED BY:	
B.A. NEIRINCK BRIDGE PLANNING & OPERATIONS ENGINEER	
NO.	REVISION
	DATE
	BY

ENGINEER'S SEAL

 BID OPPORTUNITY NO.: 110-2008

CITY OF WINNIPEG
 PUBLIC WORKS DEPARTMENT
 ENGINEERING DIVISION

DISRAELI OVERPASS
 STRUCTURAL STEEL REPAIRS

MISCELLANEOUS METAL

SHEET 4 OF 4
 HORIZONTAL: N.T.S.
 VERTICAL: N.T.S.
 CITY DRAWING NUMBER:
 B112-08-04