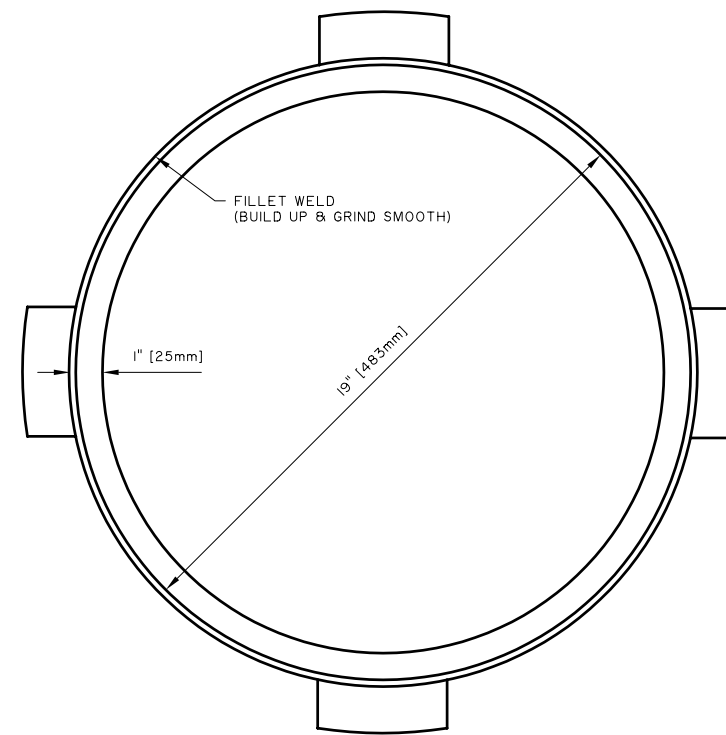
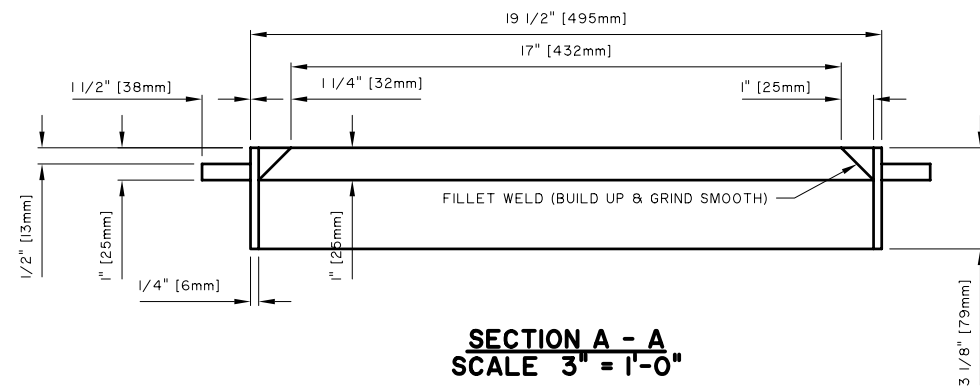


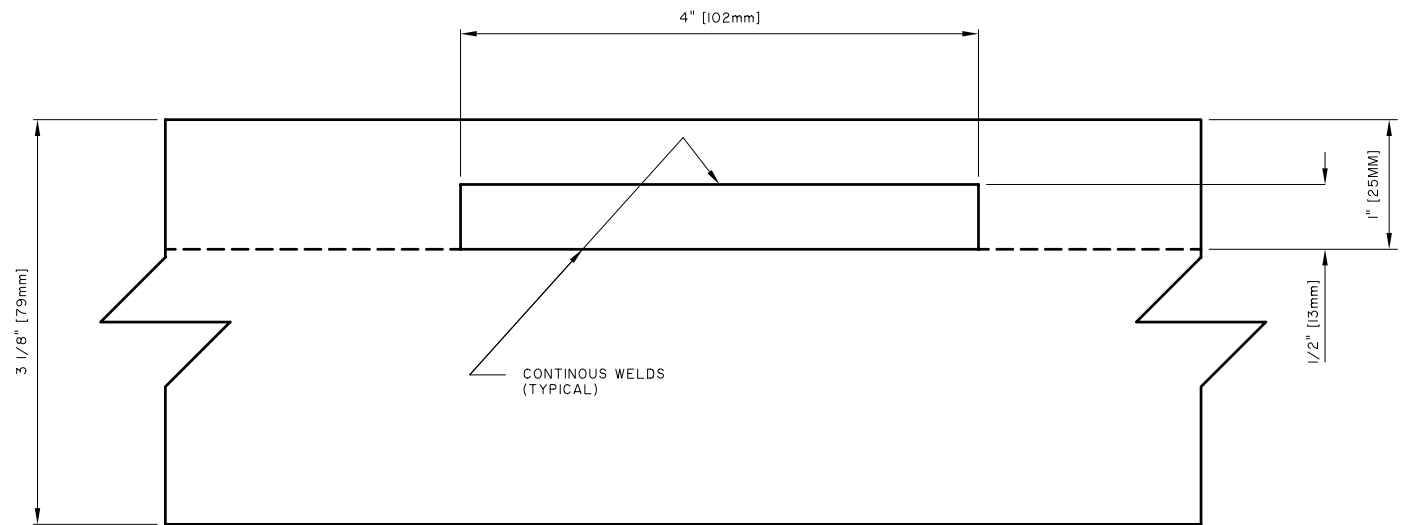
**PLAN VIEW**  
SCALE 3" = 1'-0"



**BOTTOM VIEW**  
SCALE 3" = 1'-0"



**SECTION A - A**  
SCALE 3" = 1'-0"



**SECTION B - B**  
SCALE 1" = 1"


**NOTES:**

1. TOP RING FORM REQUIRED FOR ST-60 BASE INSTALLATIONS.
2. RING = 1/4" THICK STEEL, HANDLES = 1/2" STEEL.
3. ALL WELDS ON TOP & BOTTOM SURFACES SHALL BE CONTINUOUS AND GROUND SMOOTH.
4. IMPERIAL ARE IN WHOLE NUMBERS AND METRIC NUMBERS ARE IN BRACKETS.
5. TOP RING FORM TO BE SUPPLIED BY CONTRACTOR.
6. COPIES OF ORIGINAL DRAWINGS AVAILABLE FROM TRAFFIC SIGNALS.

NO.	REVISIONS	DATE	BY

REFERENCE SPEC. NO.	
<b>CW 3620</b>	
DESIGNED BY	CHECKED BY
DRAWN BY <b>lwb</b>	SCALE <b>AS NOTED</b>
APPROVED BY	
_____ DATE _____	

ENGINEER'S SEAL



**THE CITY OF WINNIPEG**  
PUBLIC WORKS DEPARTMENT  
TRANSPORTATION DIVISION

SHEET \_\_\_\_\_ OF \_\_\_\_\_

CAD FILE DRAWING NUMBER \_\_\_\_\_

CITY DRAWING NUMBER  
**ST - 116**

**TOP RING FORM**  
**FOR STANDARD DUTY**  
**TRAFFIC SIGNAL POLE BASE**