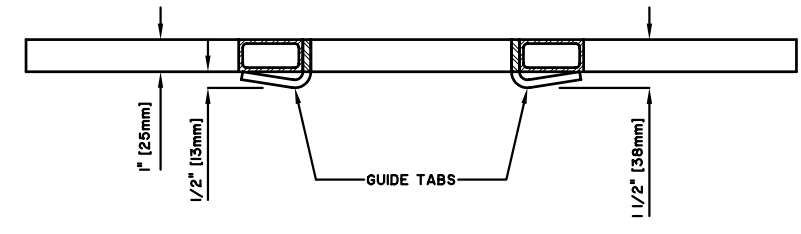
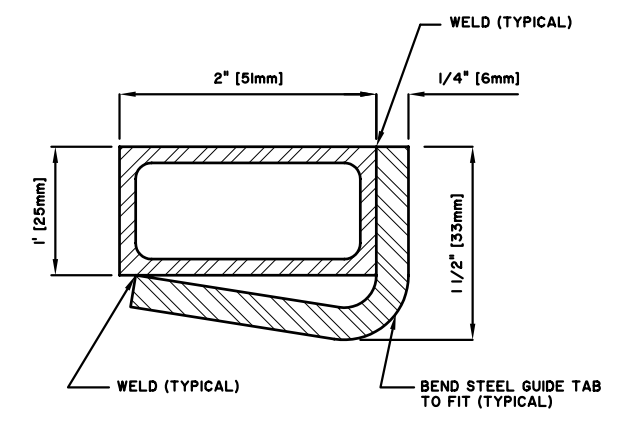


PLAN VIEW
SCALE 3" = 1'-0"



SECTION A - A
SCALE 3" = 1'-0"



SECTION B - B
SCALE 1" = 1"

- NOTES:**
1. ALL WELDS ON TOP & BOTTOM SURFACES SHALL BE CONTINUOUS AND GROUND SMOOTH.
 2. IMPERIAL ARE IN WHOLE NUMBERS AND METRIC NUMBERS ARE IN BRACKETS.
 3. ANCHOR BOLT TEMPLATES TO BE SUPPLIED BY THE CITY OF WINNIPEG, TRAFFIC SIGNALS.
 4. COPIES OF ORIGINAL DRAWINGS AVAILABLE FROM TRAFFIC SIGNALS.

NO.	REVISIONS	DATE	BY

REFERENCE SPEC. NO. CW 3620		ENGINEER'S SEAL
DESIGNED BY	CHECKED BY	
DRAWN BY lwb	SCALE AS NOTED	
APPROVED BY		
----- DATE -----		

THE CITY OF WINNIPEG PUBLIC WORKS DEPARTMENT TRANSPORTATION DIVISION	SHEET _____ OF _____
	CAD FILE DRAWING NUMBER _____
STANDARD DUTY POLE BASE ANCHOR BOLT TEMPLATE	CITY DRAWING NUMBER
	ST - 117