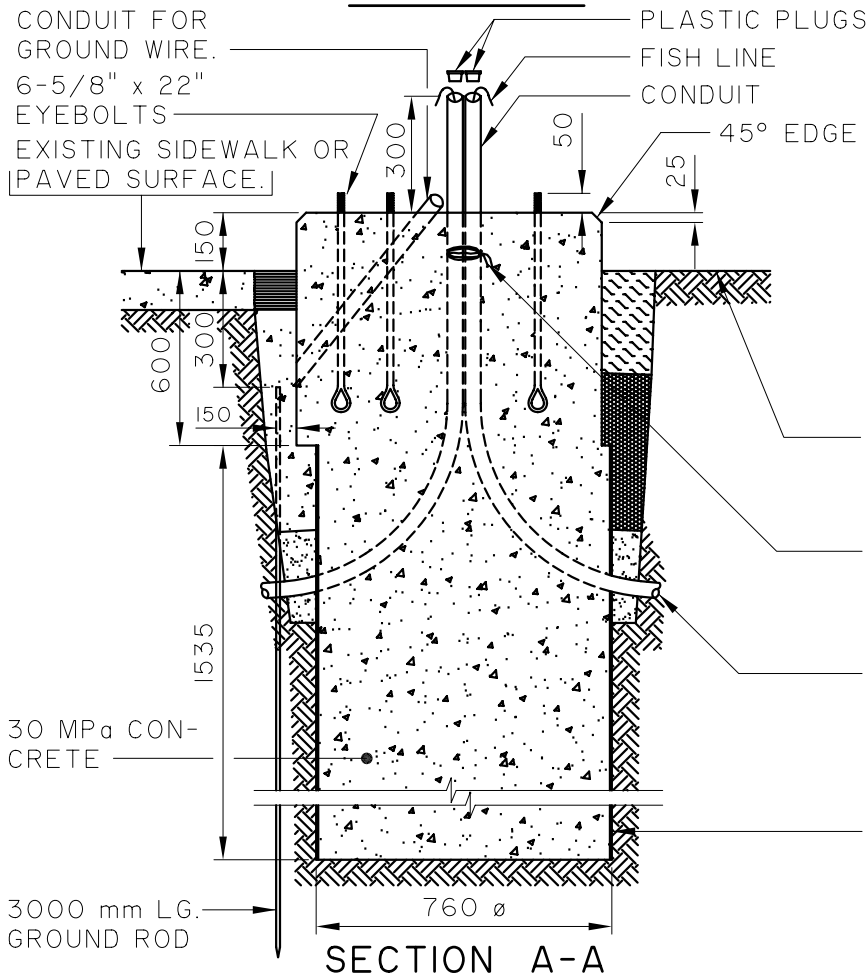


FRONT OF CONTROLLER
PLAN VIEW



SECTION A-A

NOTES:

1. 760 mm forming tube, metal rectangular form (supplied by the contractor) and anchor bolt template shall be used. (Drawing ST-120).
2. Threaded portion of anchor eyebolts shall be coated with oil prior to concrete pour.
3. All conduits shall be bundled into a group in centre of base, and tied together below the top of the base prior to concrete pour.
4. Terminate conduits a minimum of 300 mm above base.
5. Install ground rod in every base.
6. Contractor shall remove plywood top forms, and salvage nuts and anchor eyebolt template following a minimum 24 hour concrete curing period.
7. Backfill shall conform to requirements of drawings No. ST-101, "standard beddings and backfills for Underground Traffic Signals Works".

BOULEVARD GRADE

TWINE

CONDUIT ELBOW BEND
RADIUS 500 mm MIN.

FORMING TUBE MUST BE
USED FOR LOWER PORTION
OF BASE

DIMENSIONS IN MILLIMETRES
(Unless otherwise noted)



THE CITY OF WINNIPEG
PUBLIC WORKS DEPARTMENT
TRANSPORTATION DIVISION

Reference Spec. No.
CW 3620-R5

**CONCRETE BASE FOR
TYPE I70 CONTROLLER**

Revisions			

No.	Date	Description	By

Designed By: C.K.	Drawn By: A.R.	Scale : N.T.S.
Checked By:	Date: 95 - 03 - 09	Drawing No. ST-87
Approved:		