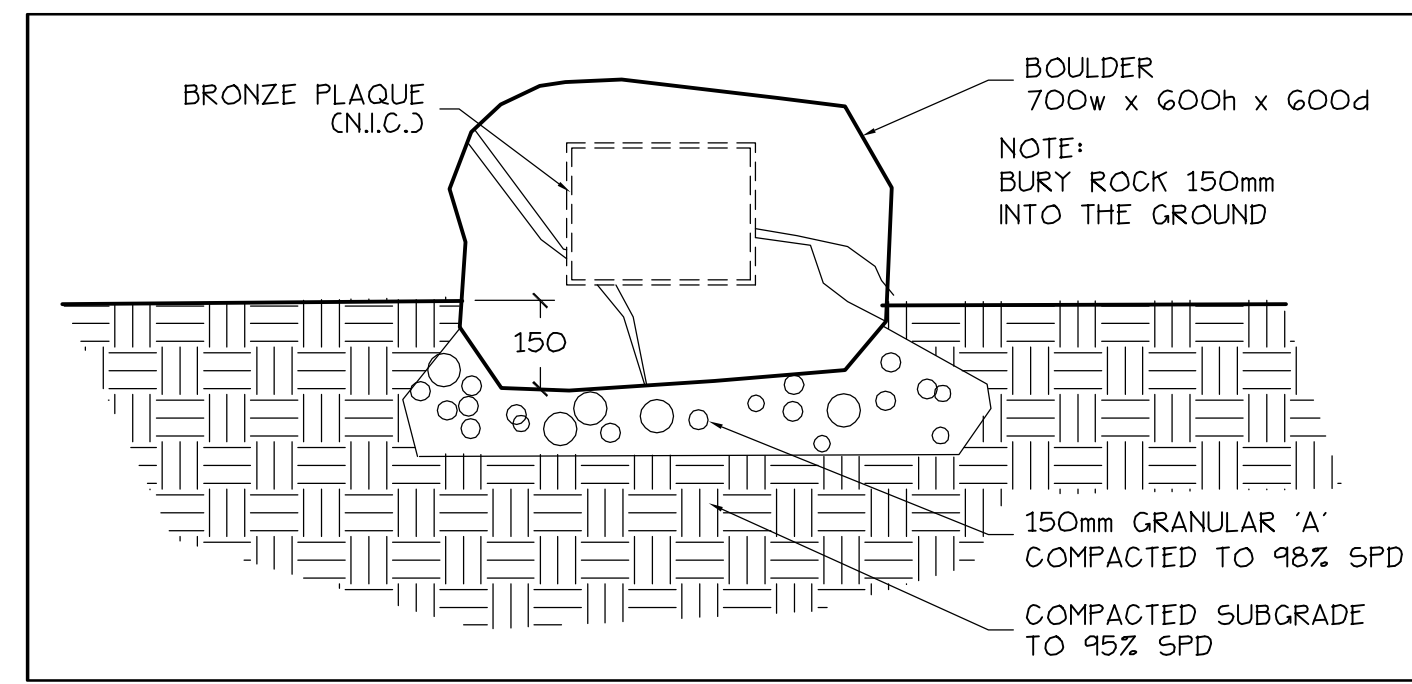
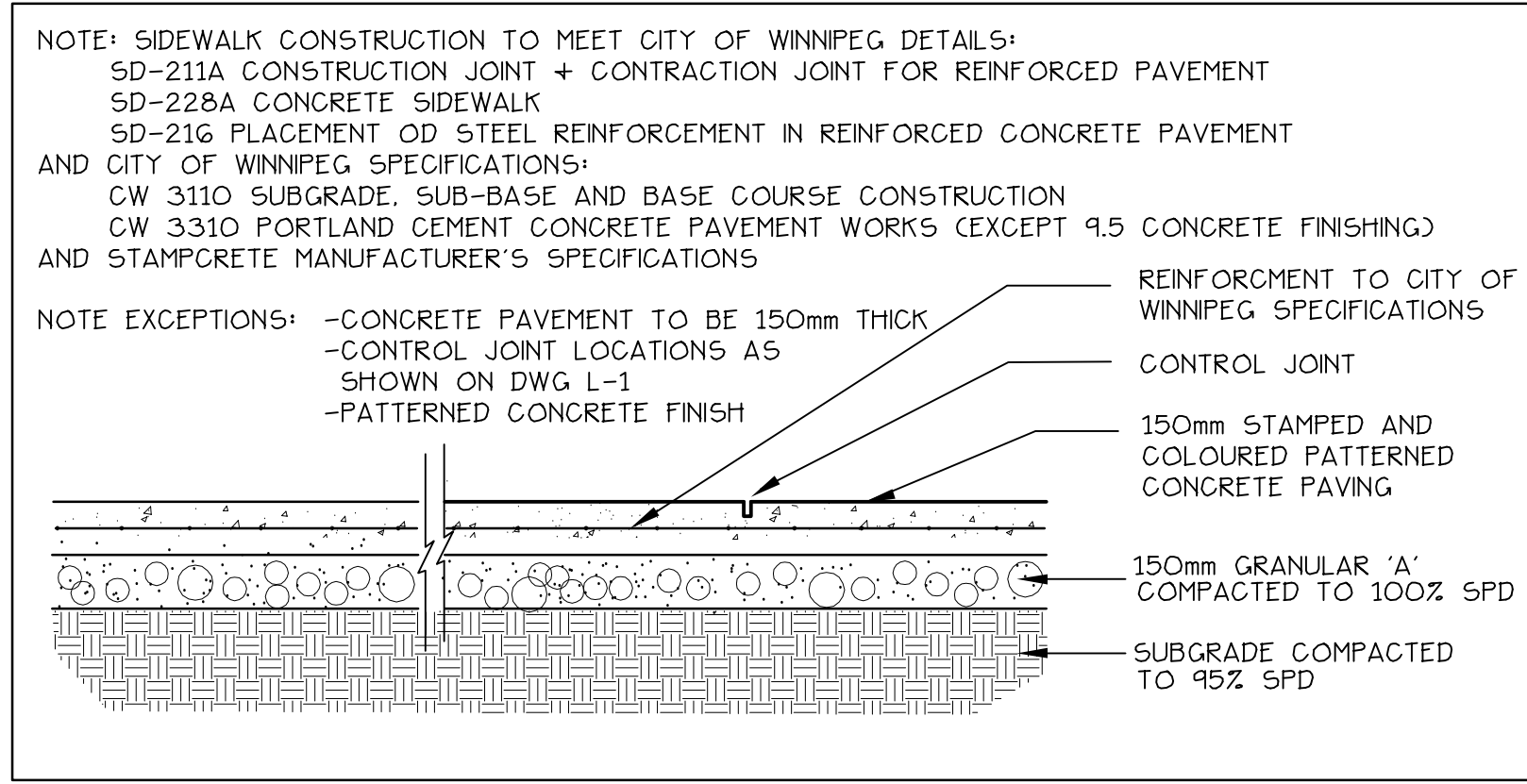


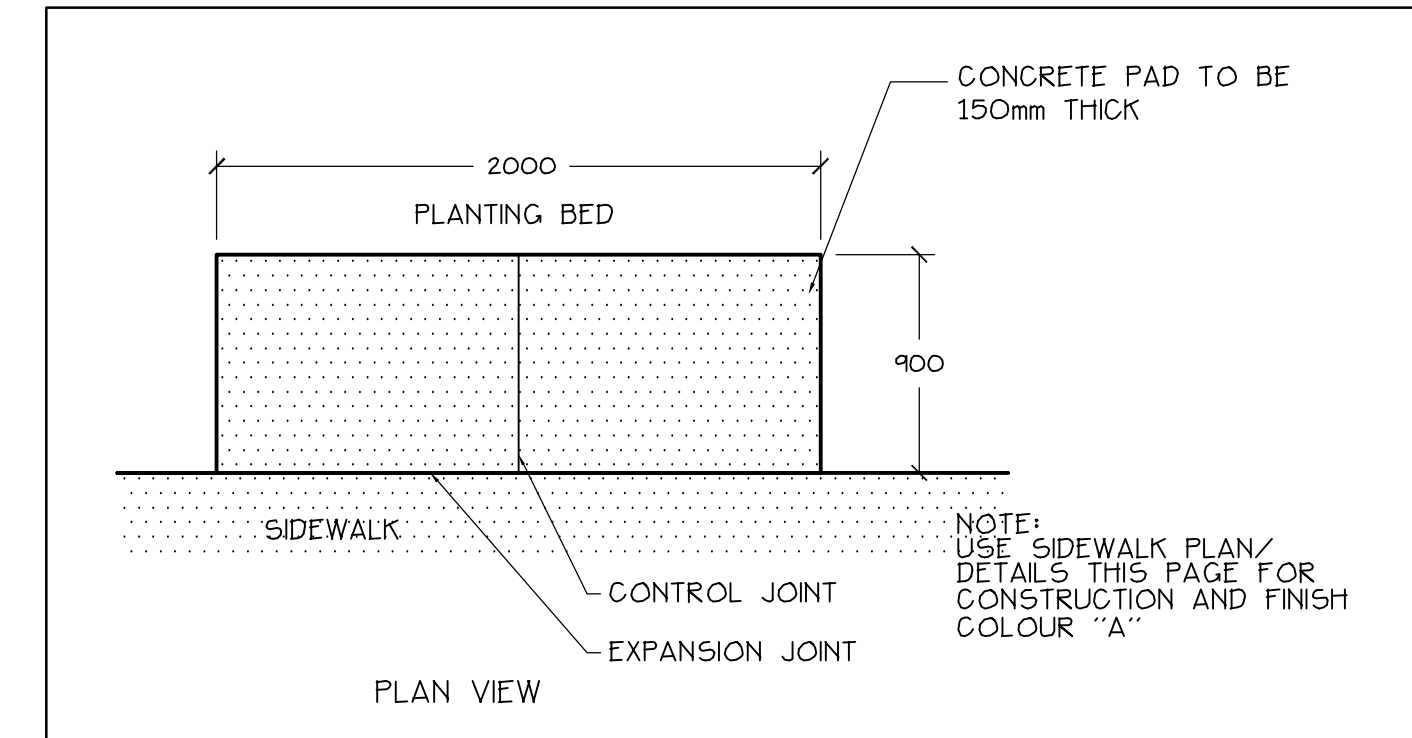
8 P.I.P. CONCRETE CURB WALL
Scale: 1:20



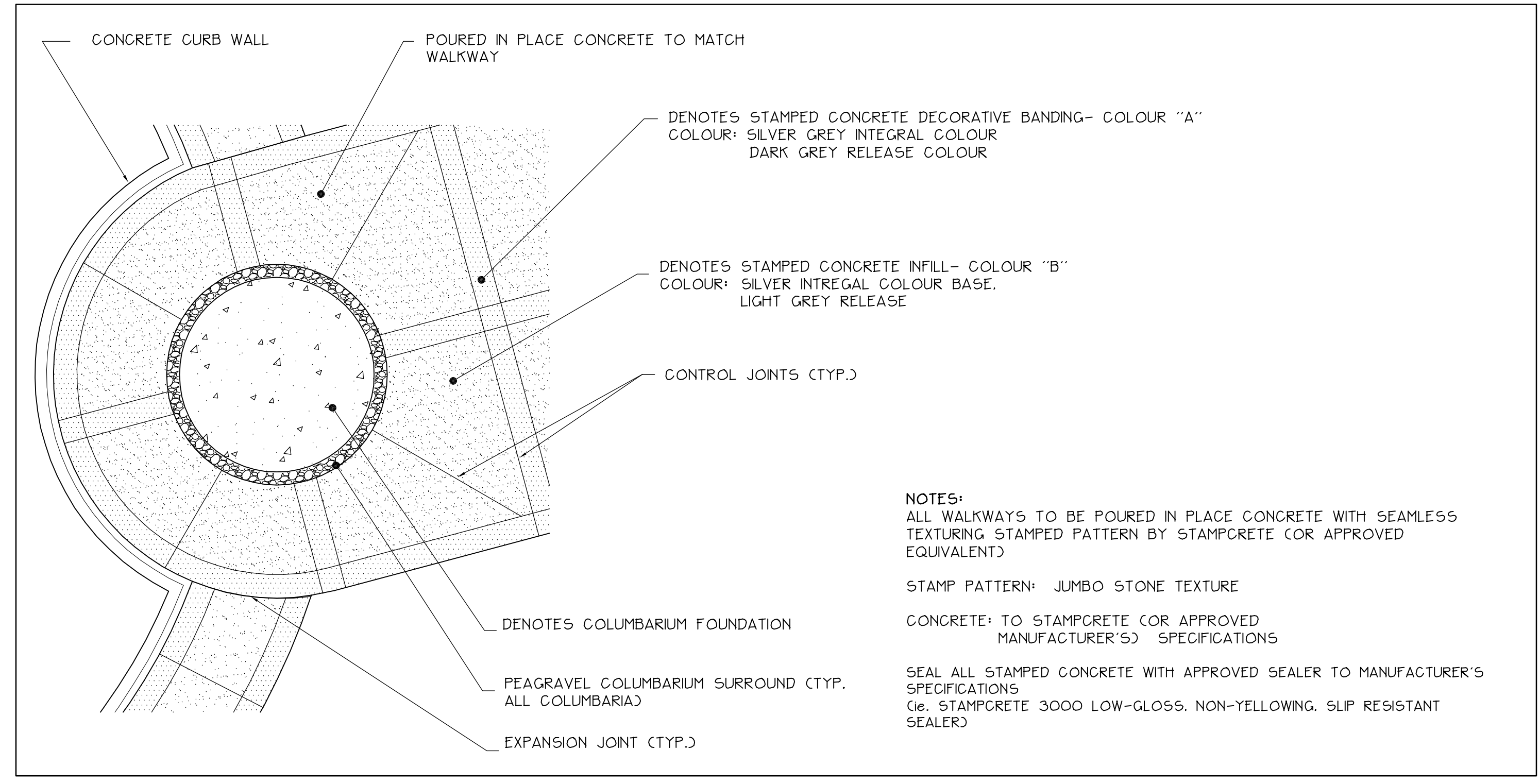
9 MEMORY STONE (QTY. 12)
Scale: 1:20



10 SIDEWALK
Scale: 1:20

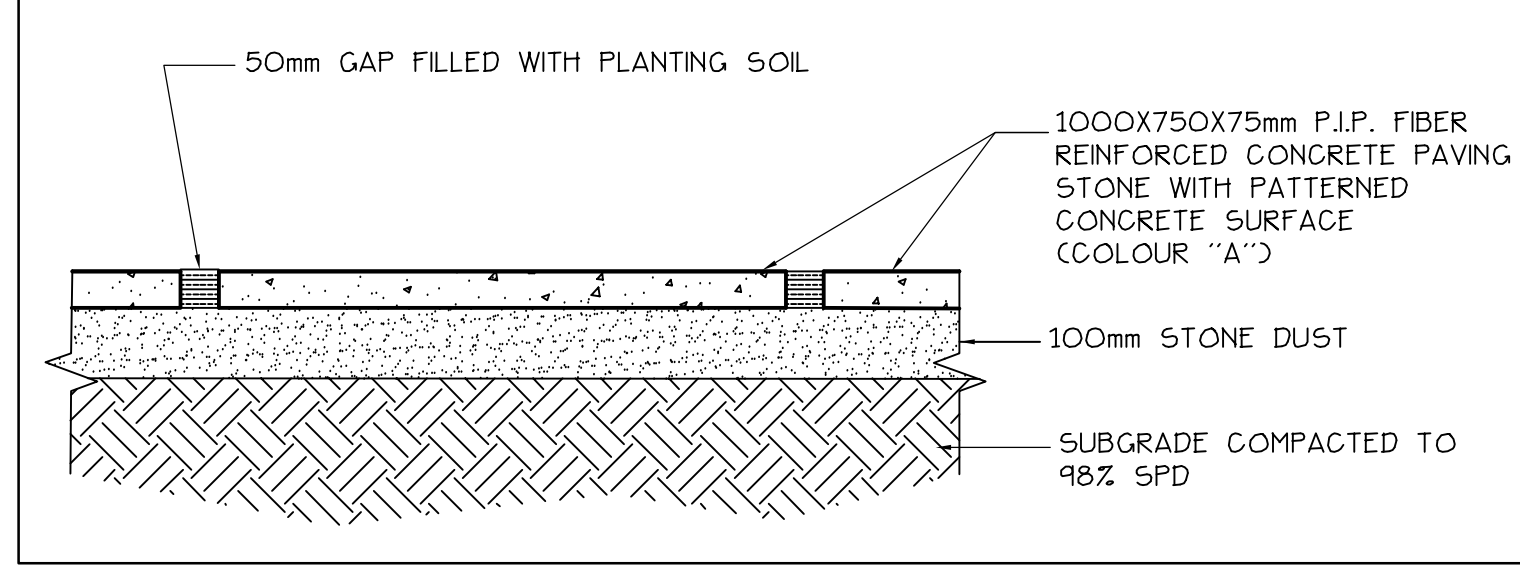


11 P.I.P. CONCRETE BENCH PAD FOR BARKMAN BENCH (QTY. 2)
Scale: 1:25

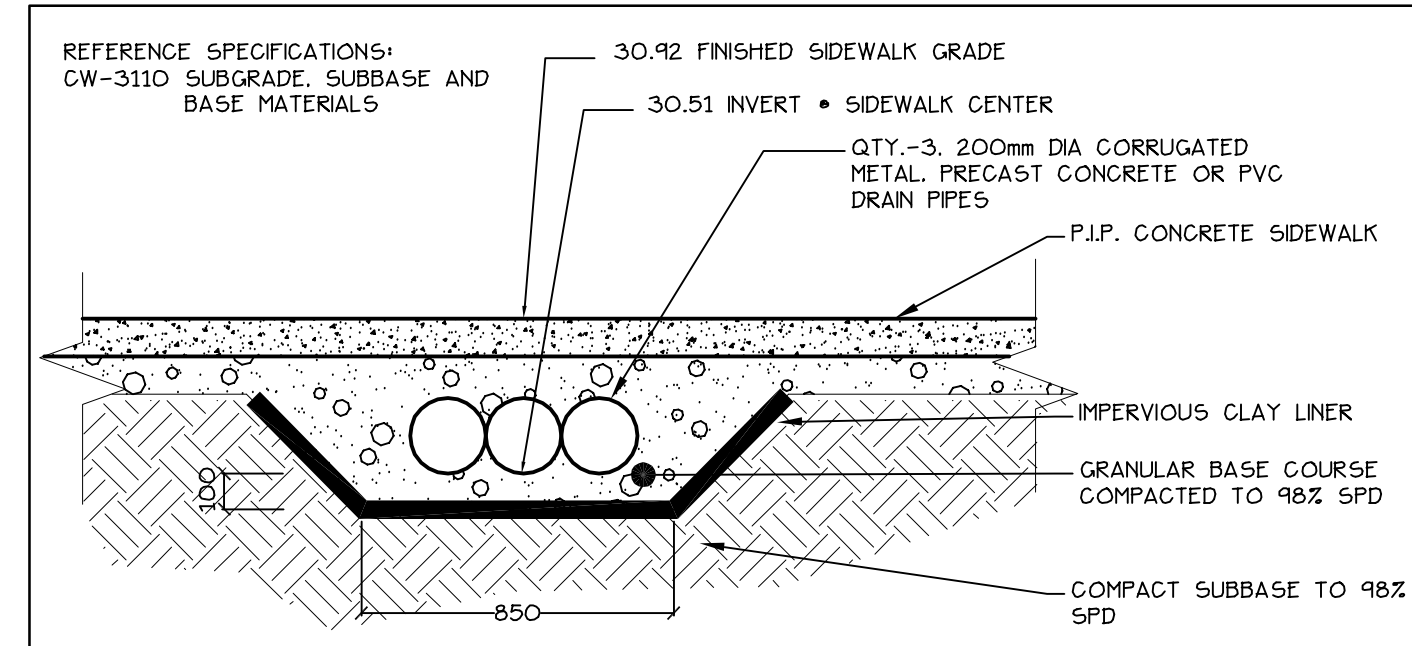


12 PATTERNED CONCRETE SIDEWALK PLAN
Scale: 1:50

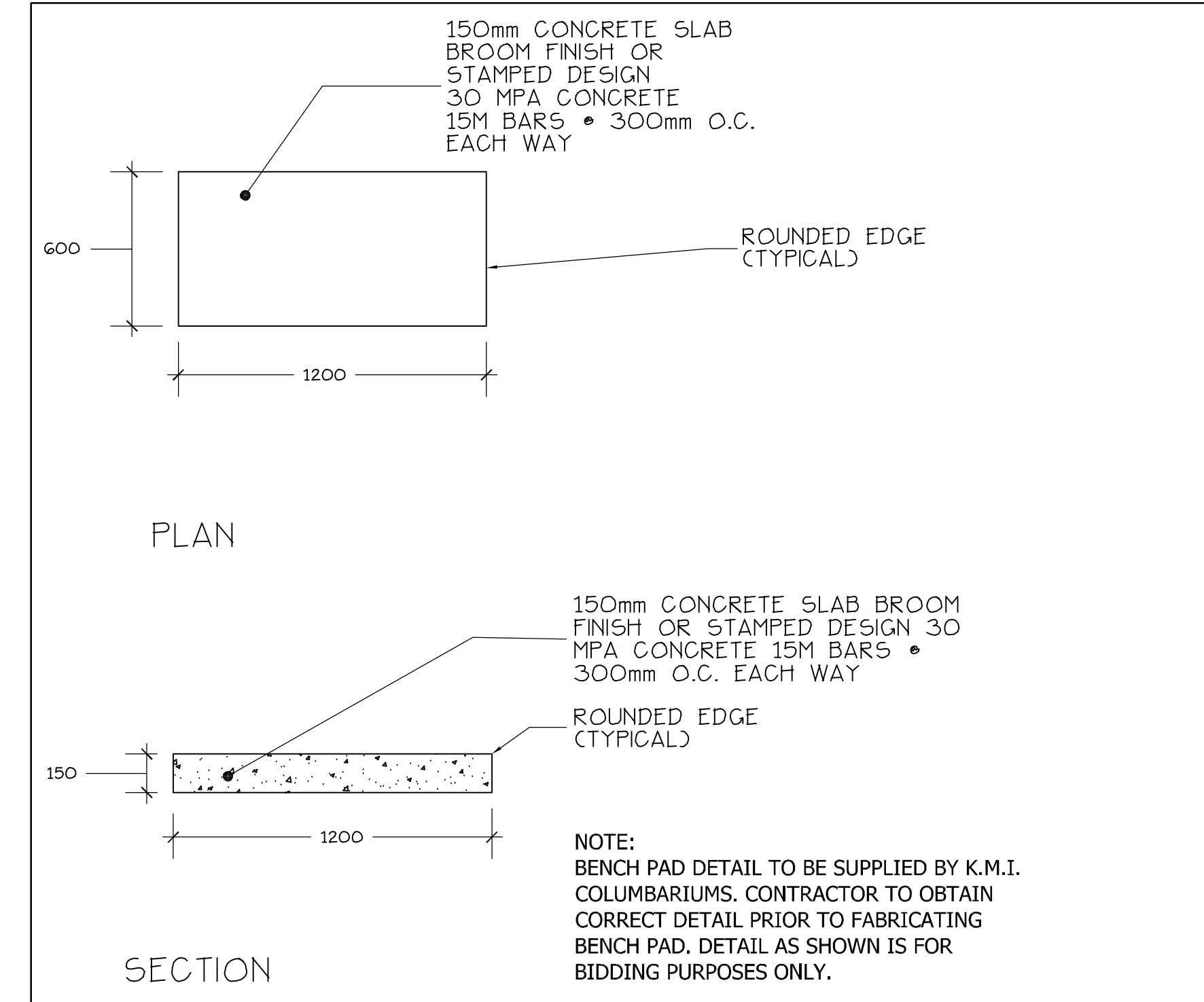
NOTE:
SEE LAYOUT DRAWING L-2 FOR ALL SIDEWALK SURFACE EXPANSION / CONTRACTION JOINT LOCATES- TO BE INCORPORATED INTO THE PATTERNED CONCRETE PAVING PATTERN.



13 P.I.P. CONCRETE STEPPING STONES (QTY. 10)
Scale: 1:10



14 SIDEWALK CULVERT (QTY. 1)
Scale: 1:20



15 BENCH PAD FOR GRANITE BENCH (QTY. 5)
Scale: NTS

NOTES + LEGEND

No.	DATE	DESCRIPTION	BY	APP'D
06				
05				
04				
03				
02	03/31/08	REVISED FOR TENDER	AH	
01	09/20/08	REVISED FOR CLIENT REVIEW	AH	

REVISIONS

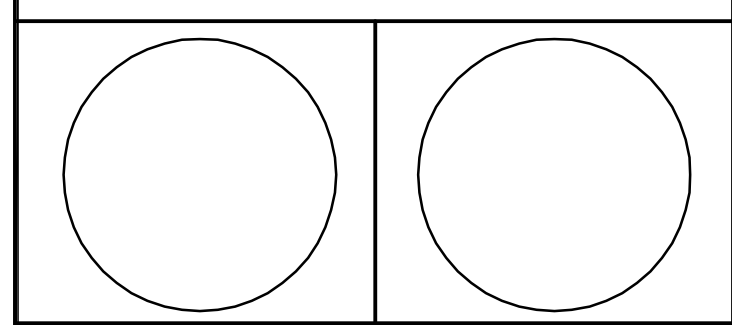
Detail No. Drawing No. Where Detailed
A B
All drawings, specifications and related documents are the copyright property of the Consultant and must be returned upon request. Reproduction of some or all or in whole is forbidden without the Consultant's written permission.
Only those drawings signed under original signature by an authorized representative of Hilton Landmarks Inc. are considered true copies.
Contractor must check and verify all dimensions and elevations on the job. Report any discrepancies to the Consultant. Do not scale drawing.

Hilton LANDMARKS Inc.
Cemetery Consultants, Planning and Design
155 Froisher Drive, Suite J-102 Tel: (519) 725-7333
Waterloo, Ontario N2V 2E1 Fax: (519) 725-3008
www.hiltonlandmarks.com Email: hll@golden.net



Project
ST. VITAL CREMATION GARDEN SITE WORKS CONTRACT
WINNIPEG, MANITOBA

Drawing
PHASE TWO FEATURE DETAILS



Scale: VARIES

Design By:	A.H./R.H.	Project No.	99048-05
Drawn By:	A.H.	Date:	November, 2006
Checked By:		CAD File:	98048DD L-1
Drawing No.	D-3	Sheet No.	7 of 7