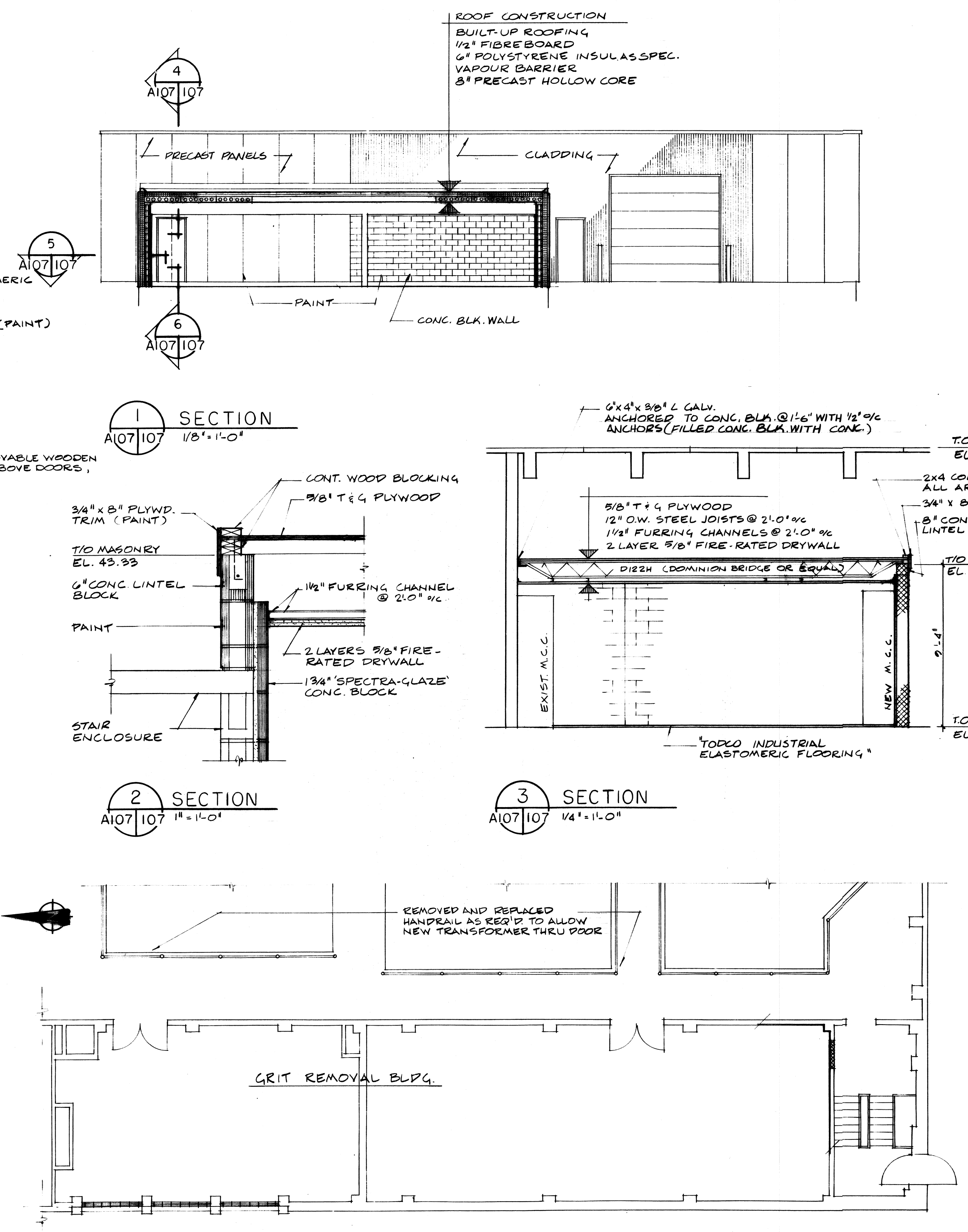
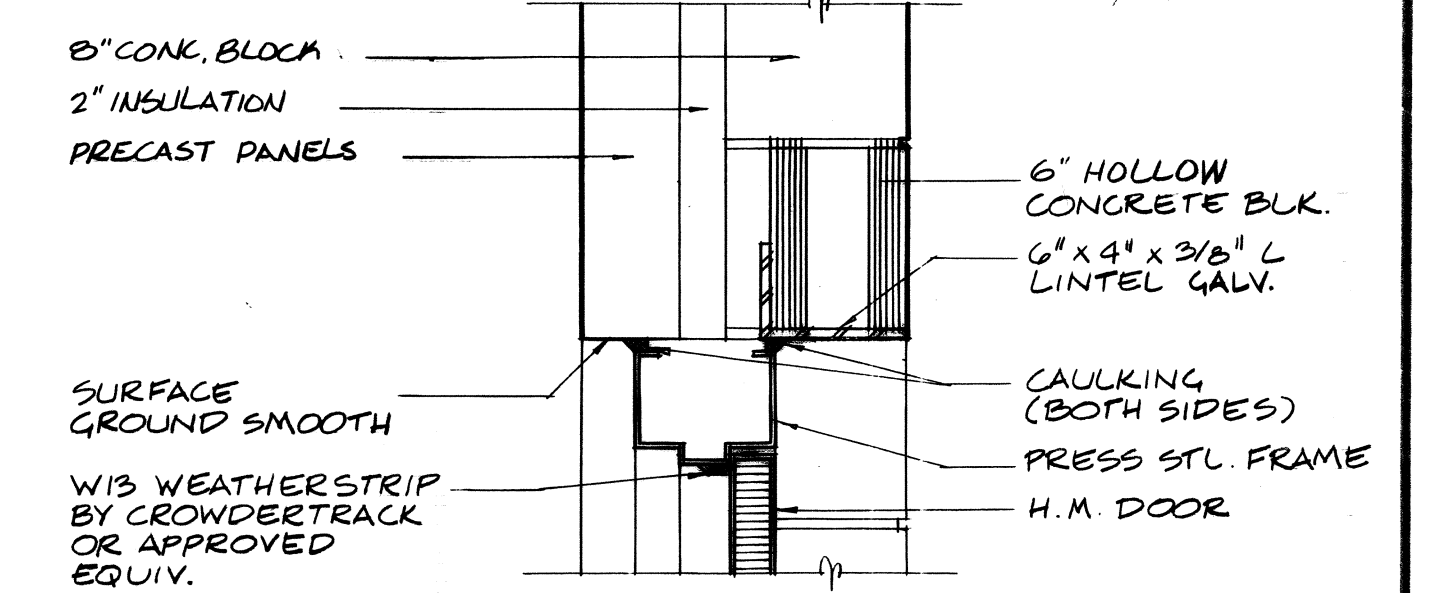


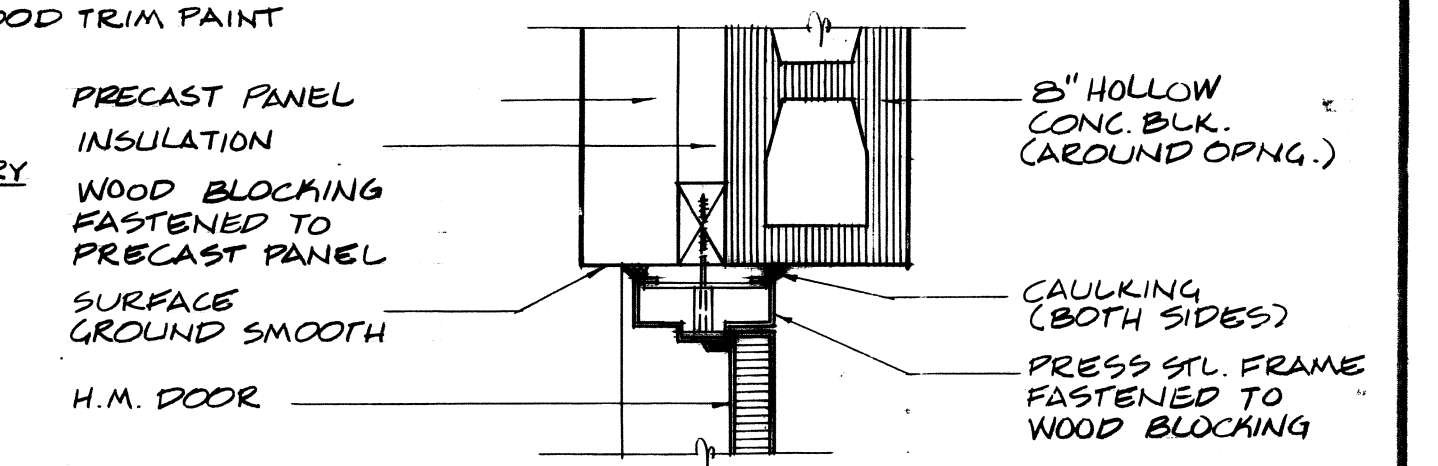
PARTIAL FLOOR PLAN
1/8" = 1'-0"



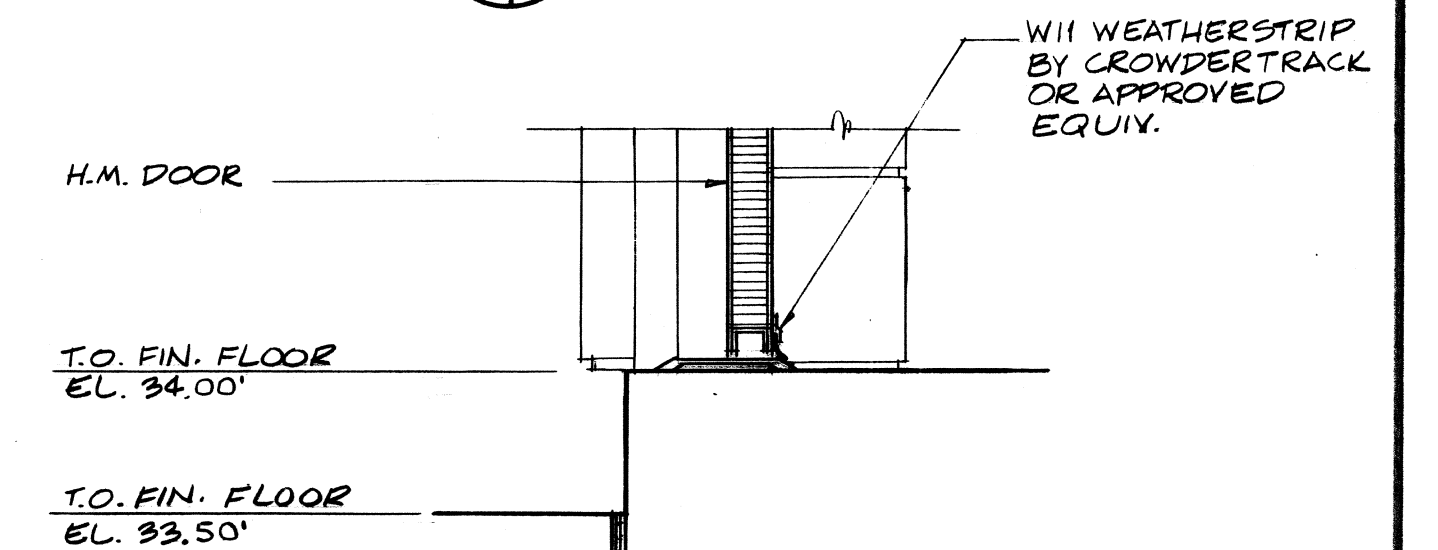
PARTIAL FLOOR PLAN
1/8" = 1'-0"



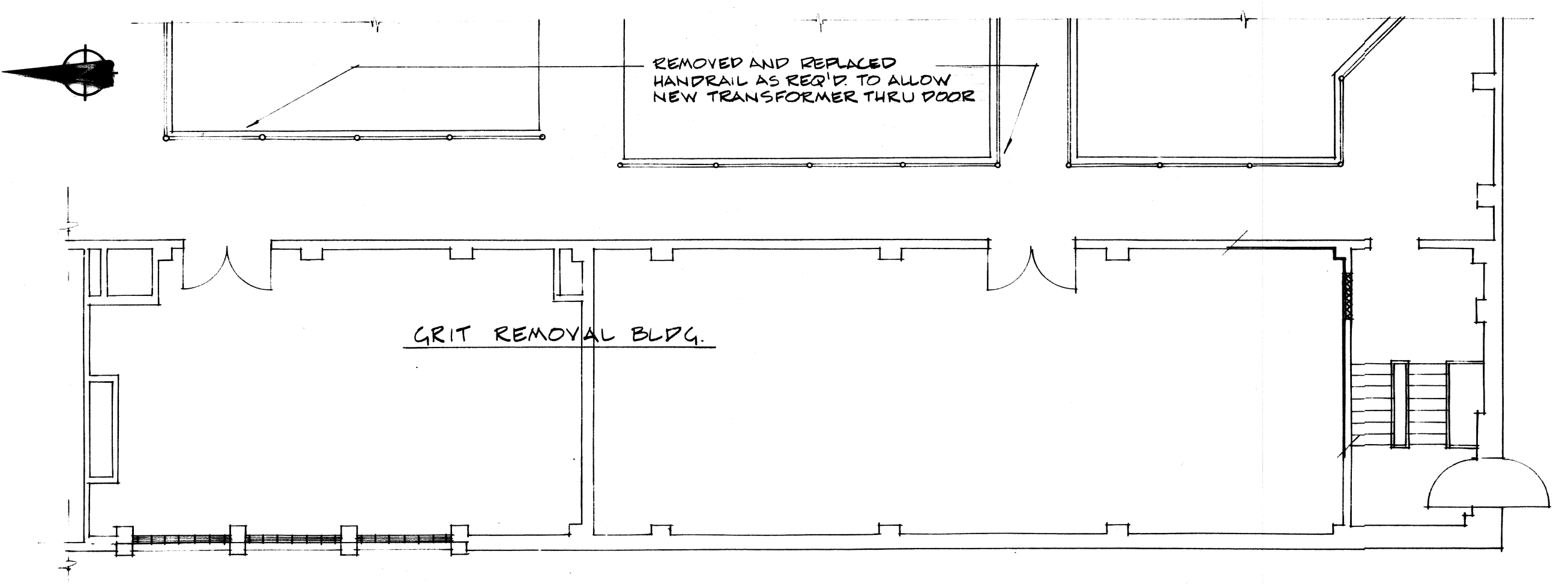
4 HEAD DETAIL
1/2" = 1'-0"



5 JAMB DETAIL
1/2" = 1'-0"

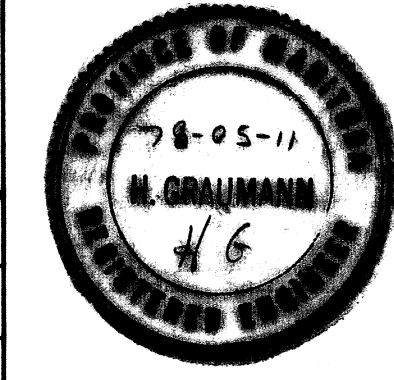


6 SILL DETAIL
1/2" = 1'-0"



PARTIAL FLOOR PLAN
1/8" = 1'-0"

CENTRAL FILE	ENGINEERING FILE	DATE FILMED
DRAWING FILE NUMBER		
GRID CO-ORDINATES		
MICROFILMING	WORKS & OPERATIONS DEPT.	



AS BUILT	ISSUED FOR TENDER	REV.	DESCRIPTION

W. L. WARDROP & ASSOCIATES LTD. JAMES F. MACLAREN LIMITED ENGINEERING CONSULTANTS	
DRAWN BY: R.N.	DESIGNED BY: J.K.
CHECKED BY: J.G.	APPROVED BY: [Signature]
DATE: SEPT. 79	DATE: MAY 1978

THE CITY OF WINNIPEG
WORKS & OPERATIONS DEPARTMENT
WATERWORKS, WASTE & DISPOSAL DIVISION

NORTH END WATER POLLUTION CONTROL CENTRE
PRIMARY CLARIFIER ADDITION
ARCHITECTURAL
MODIFICATION TO EXIST. BLDGS.

SCALE: AS SHOWN
DATE: MAY 1978
CONSULTANT DRAWING NO. 76012-05-A107
CITY DRAWING NO. WPD-230

MICROFILMED MAR 31 1980

NR 4106