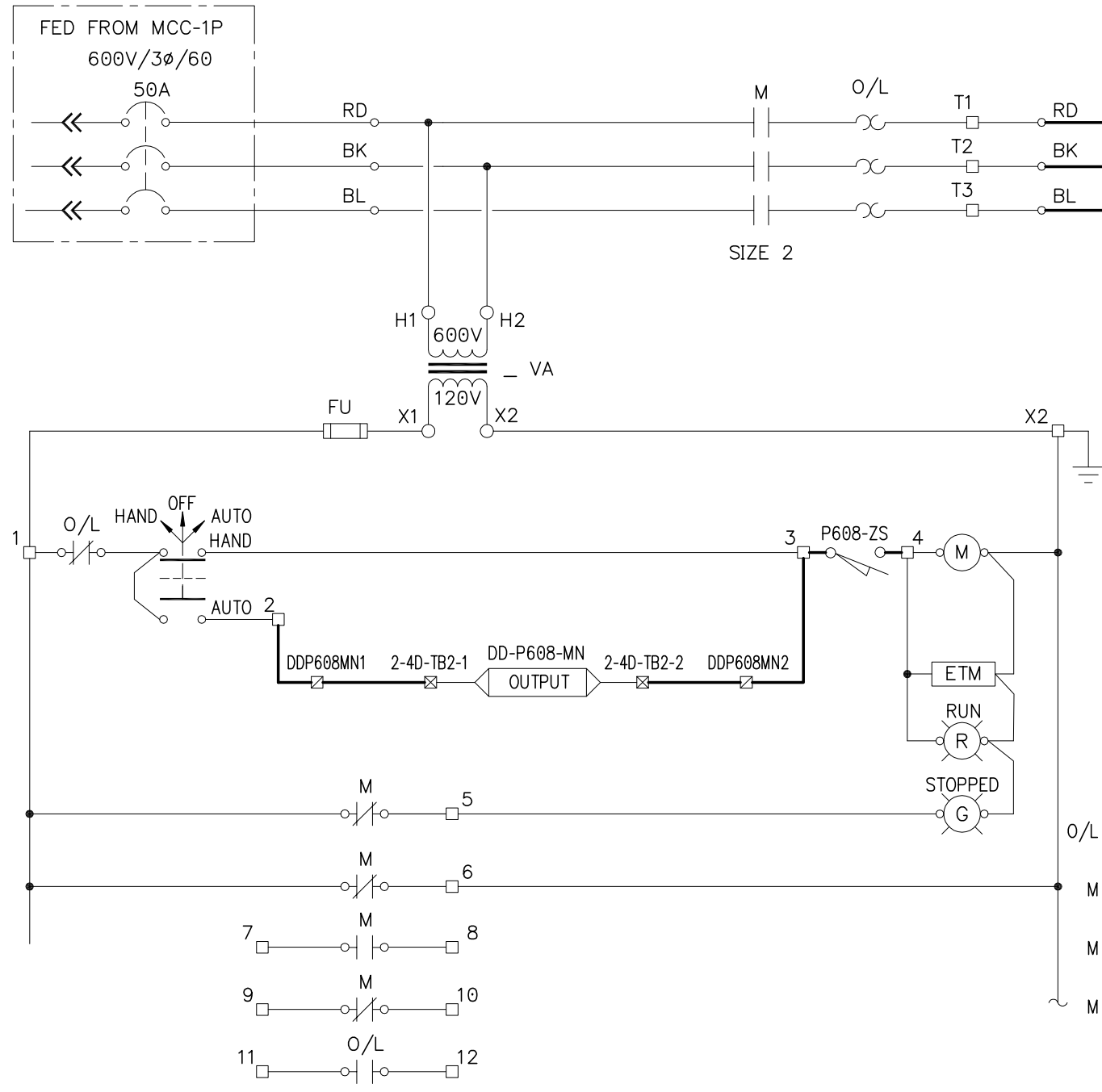


STARTER UNIT

FIELD



SCHMATIC DIAGRAM

LEGEND

()	CONDUCTOR IDENTIFICATION	—	FIELD WIRING
□	STARTER TERMINALS	—•—	PANEL WIRING
⊗	DCS TERMINALS	—•—	WIRE CONNECTION
⊠	PTC TERMINALS	○	PILOT LIGHT
		ETM	ELAPSED TIME METER

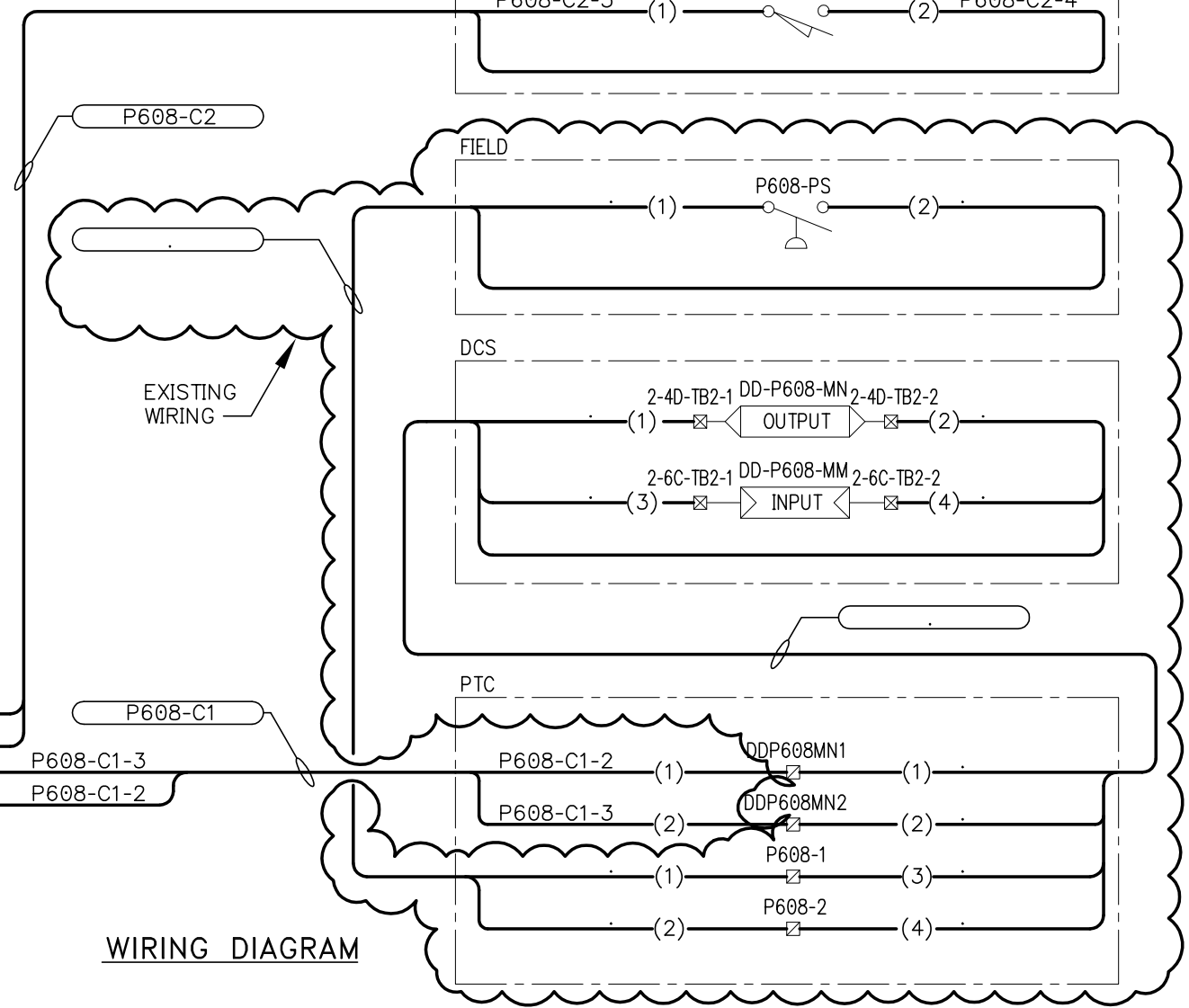
NOTES:

1. -

CONSTRUCTION NOTES:

1. REMOVE EXISTING LOCK-OFF-STOP PUSHBUTTON LOCAL TO MOTOR.

16
15
14
13
12
11
10
9
8
7
6
5
4
3
2
1
X1
X2



WIRING DIAGRAM



B.M. ELEV.	FIELD BOOK #:
POSTED TO LBIS	
DESIGNED BY	DDW
CHECKED BY	REW
DRAWN BY	GCH
APPROVED BY	
HOR. SCALE	N.T.S.
VERTICAL	
ISSUED FOR TENDER	15/02/08
NO. REVISIONS	DATE BY
	19/01/07

KGS GROUP
CONSULTING ENGINEERS & PROJECT MANAGERS

CH2MHILL

ENGINEER'S SEAL
PROVINCE OF MANITOBA
R.E. WILLMS
REGISTERED PROFESSIONAL ENGINEER

TENDER No: 25-2008
FILENAME: 1-0101P-E0010-001
PLOT DATE: 15/02/08

THE CITY OF WINNIPEG
WATER AND WASTE DEPARTMENT

Winnipeg

NORTH END WATER POLLUTION CONTROL CENTRE
MOTOR STARTER
P608-1PF27
SUMMER EXHAUST FAN 3 CLARIFIERS 4 & 5

SHEET 001 OF 001
CITY DRAWING NUMBER
1-0101P-E0010-001