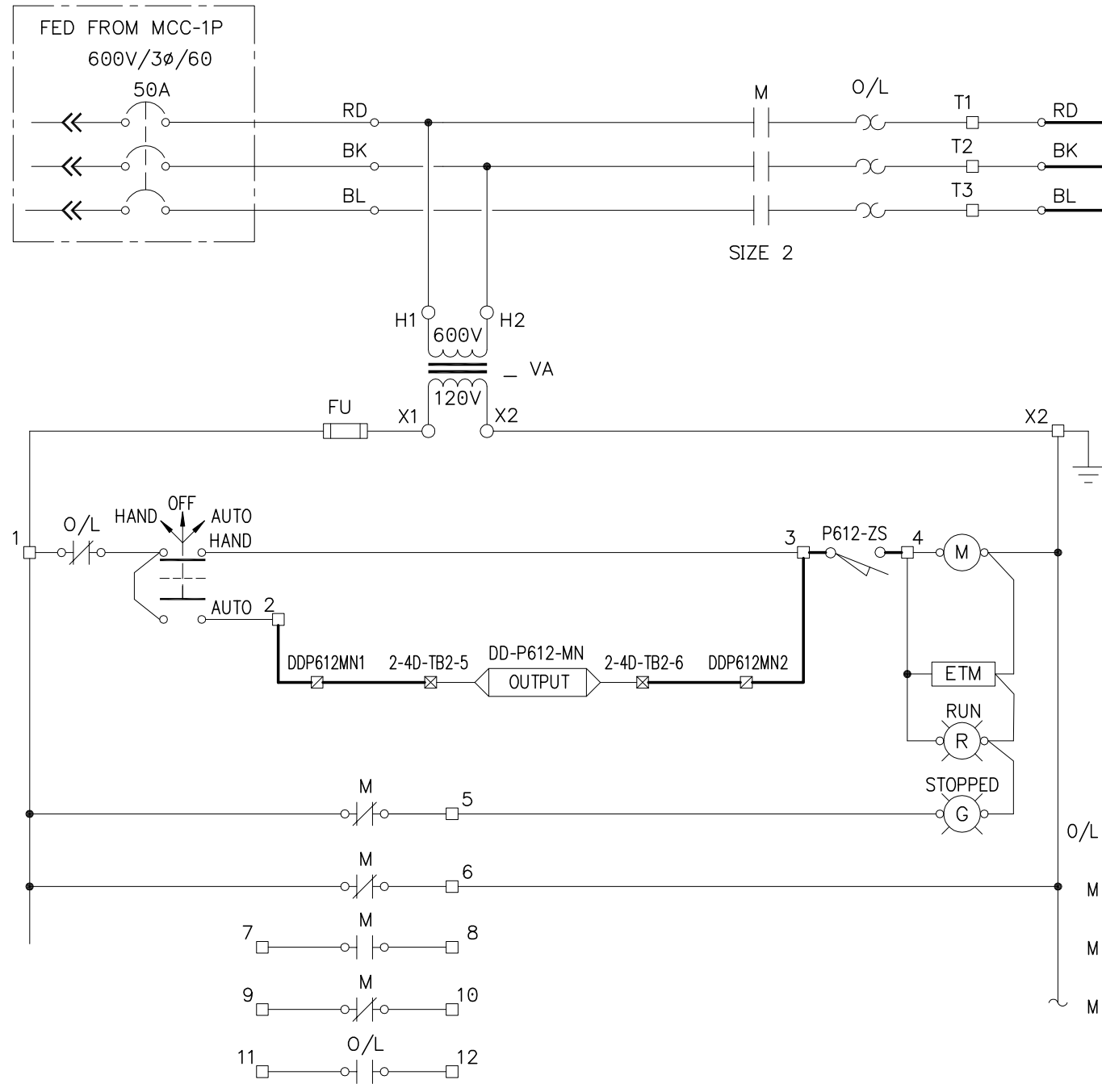


STARTER UNIT

FIELD



SCHMATIC DIAGRAM

- LEGEND**
- () CONDUCTOR IDENTIFICATION
 - STARTER TERMINALS
 - ⊠ DCS TERMINALS
 - ⊡ PTC TERMINALS
 - FIELD WIRING
 - PANEL WIRING
 - WIRE CONNECTION
 - PILOT LIGHT
 - ETM ELAPSED TIME METER

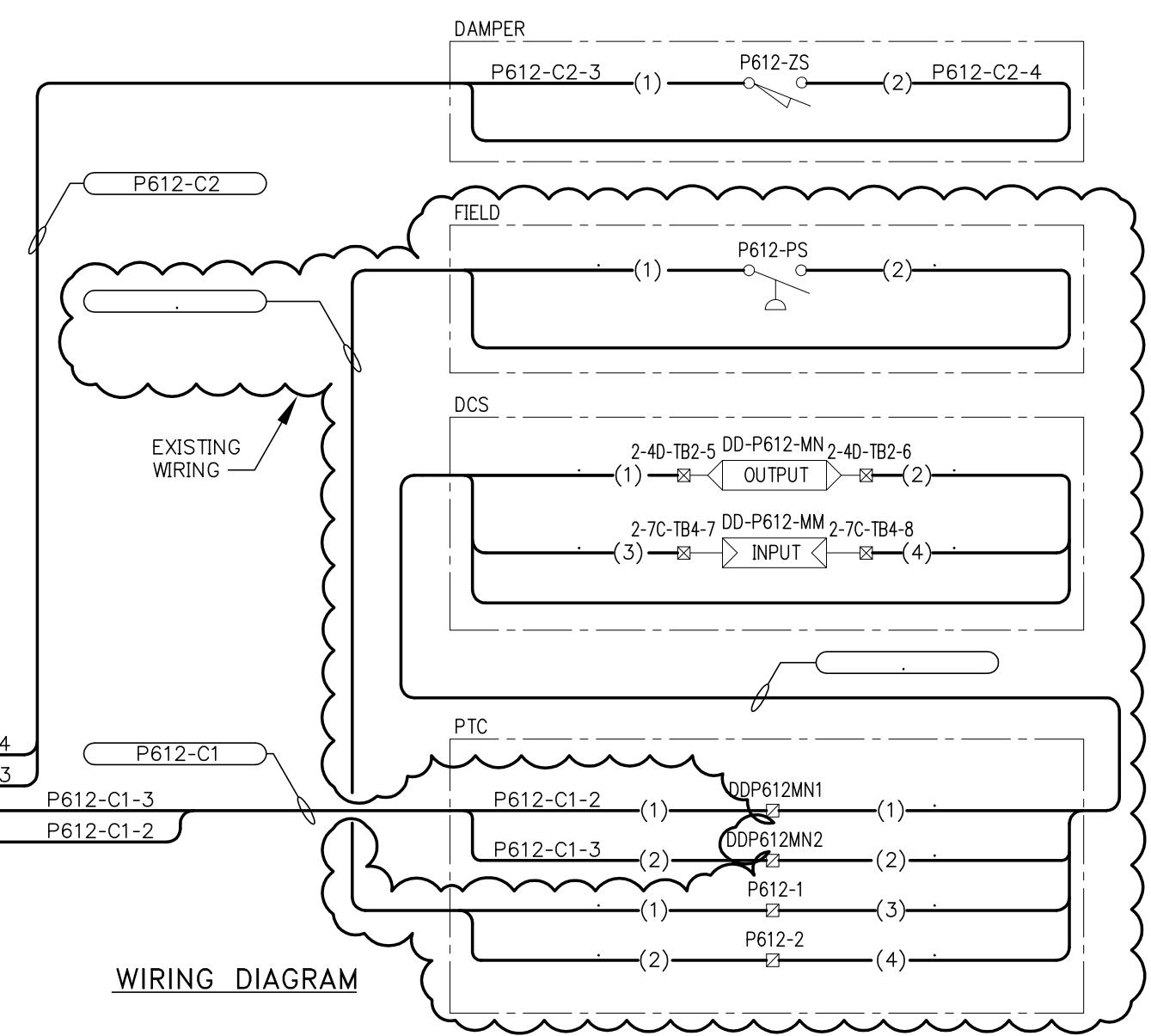
NOTES:

1. -

CONSTRUCTION NOTES:

1. REMOVE EXISTING LOCK-OFF-STOP PUSHBUTTON LOCAL TO MOTOR.

16
15
14
13
12
11
10
9
8
7
6
5
4
3
2
1
X1
X2

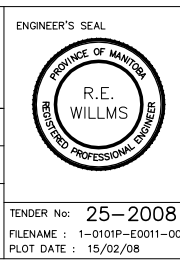


WIRING DIAGRAM



B.M. ELEV.	FIELD BOOK #:
POSTED TO LBIS	
DESIGNED BY	DDW
DRAWN BY	GCH
HOR. SCALE	N.T.S.
VERTICAL	.
01 ISSUED FOR TENDER	15/02/08
NO. REVISIONS	DATE BY

KGS GROUP CONSULTING ENGINEERS & PROJECT MANAGERS	CH2MHILL
DESIGNED BY: DDW	CHECKED BY: REW
DRAWN BY: GCH	APPROVED BY: .
HOR. SCALE: N.T.S.	RELEASED FOR CONSTRUCTION
VERTICAL: .	DATE: 19/01/07



THE CITY OF WINNIPEG
WATER AND WASTE DEPARTMENT

NORTH END WATER POLLUTION CONTROL CENTRE
MOTOR STARTER
P612-1PF29
SUMMER EXHAUST FAN 1 CLARIFIERS 4 & 5

SHEET 001 OF 001
CITY DRAWING NUMBER
1-0101P-E0011-001

TENDER No: 25-2008
FILENAME: 1-0101P-E0011-001
PLOT DATE: 15/02/08