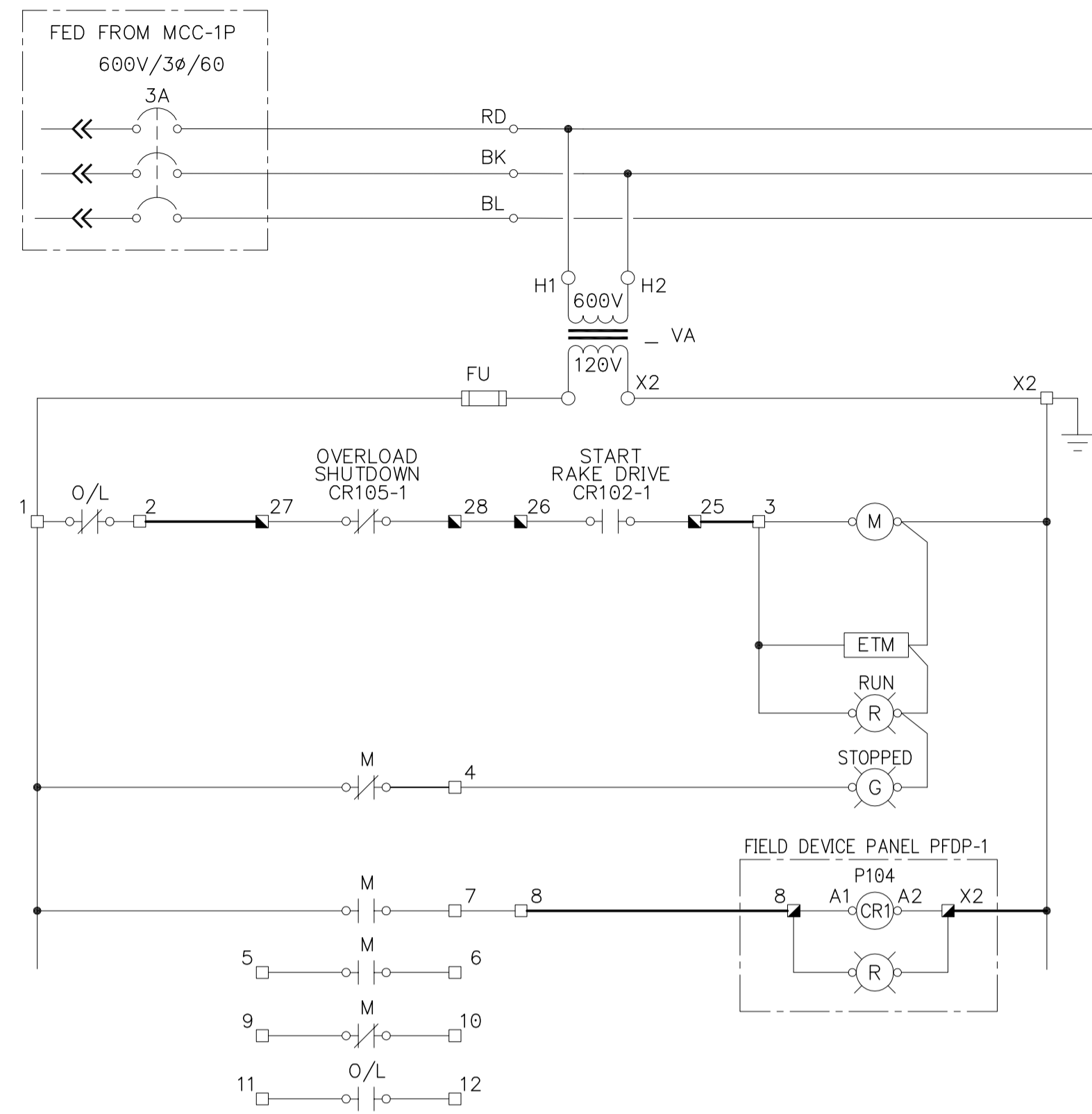


STARTER UNIT

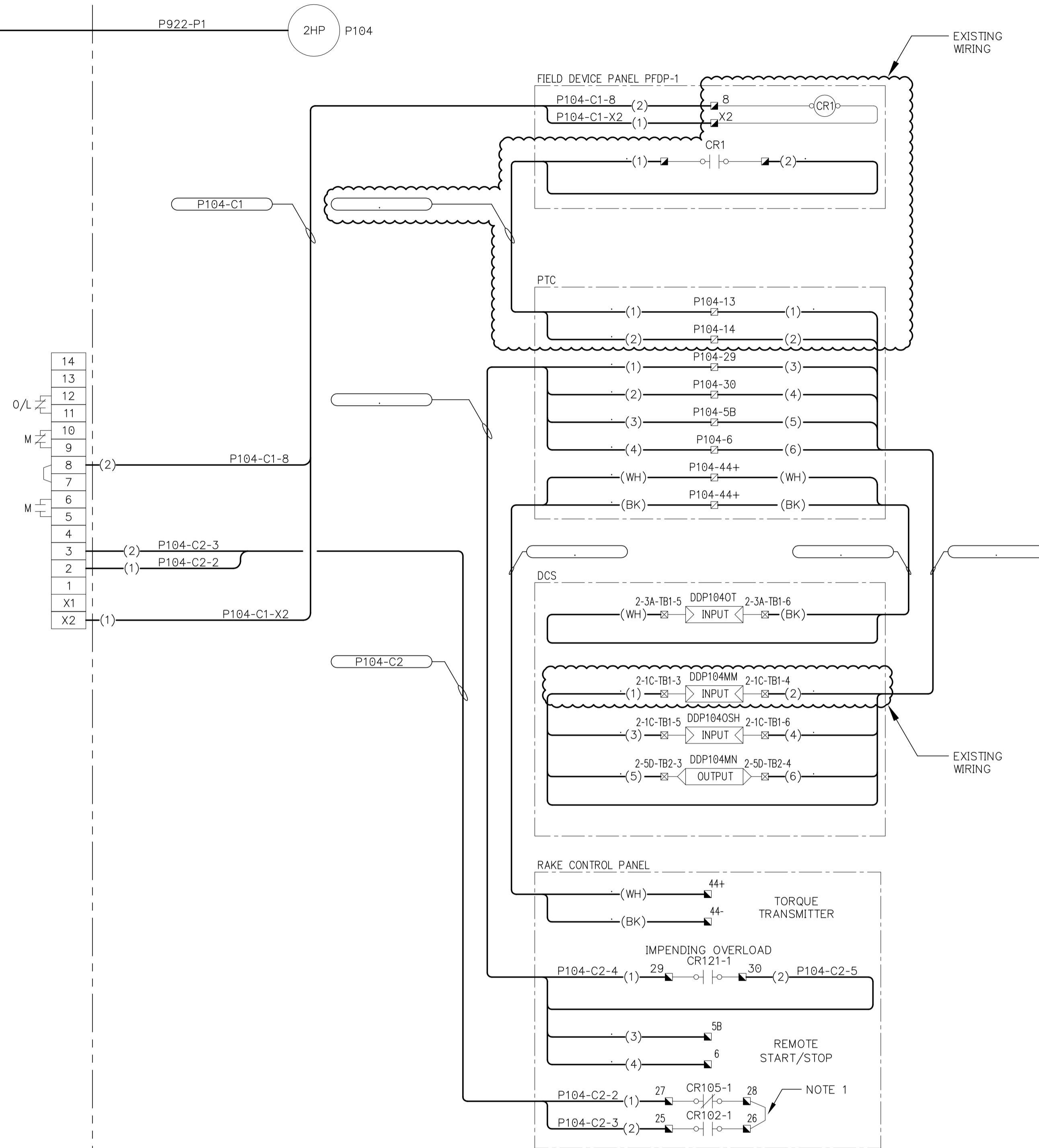
FIELD

NOTES:

1. INSTALL JUMPER BETWEEN TERMINALS 26 & 28 IN RAKE CONTROL PANEL.



SCHMATIC DIAGRAM



WIRING DIAGRAM

LEGEND

- STARTER TERMINALS
- PFDP-1 TERMINALS
- ⊠ DCS TERMINALS
- ⊠ PTC TERMINALS
- ⊠ RAKE CONTROL PANEL
- FIELD WIRING
- PANEL WIRING
- () CONDUCTOR IDENTIFICATION
- WIRE CONNECTION
- PILOT LIGHT
- ETM ELAPSED TIME METER

COWLEGGEND



B.M. :	
ELEV. :	
DESIGNED BY:	DDW
DRAWN BY:	GCN
HOR. SCALE:	N.T.S
VERTICAL:	
01 ISSUED FOR TENDER	15/02/08 REW
NO. REVISIONS	DATE BY
	DATE 25/11/06

KGS GROUP
CONSULTING ENGINEERS & PROJECT MANAGERS

DESIGNED BY: DDW
DRAWN BY: GCN
HOR. SCALE: N.T.S
VERTICAL: .

CH2MHILL

CHECKED BY: REW
APPROVED BY:
RELEASED FOR CONSTRUCTION:
DATE:

ENGINEER'S SEAL
PROVINCE OF MANITOBA
REGISTERED PROFESSIONAL ENGINEER
R.E. WILLMS
CONSULTANT DRAWING NO.
1-0101P-E0013-001

THE CITY OF WINNIPEG
WATER AND WASTE DEPARTMENT

PROJECT TITLE
NORTH END WATER POLLUTION CONTROL CENTRE
MOTOR STARTER
P104-1PM1
CLARIFIER 1 RAKE

SHEET 001 OF 001
COMPUTER FILE NAME
1-0101P-E0013-001
CITY DRAWING NUMBER
1-0101P-E0013-001