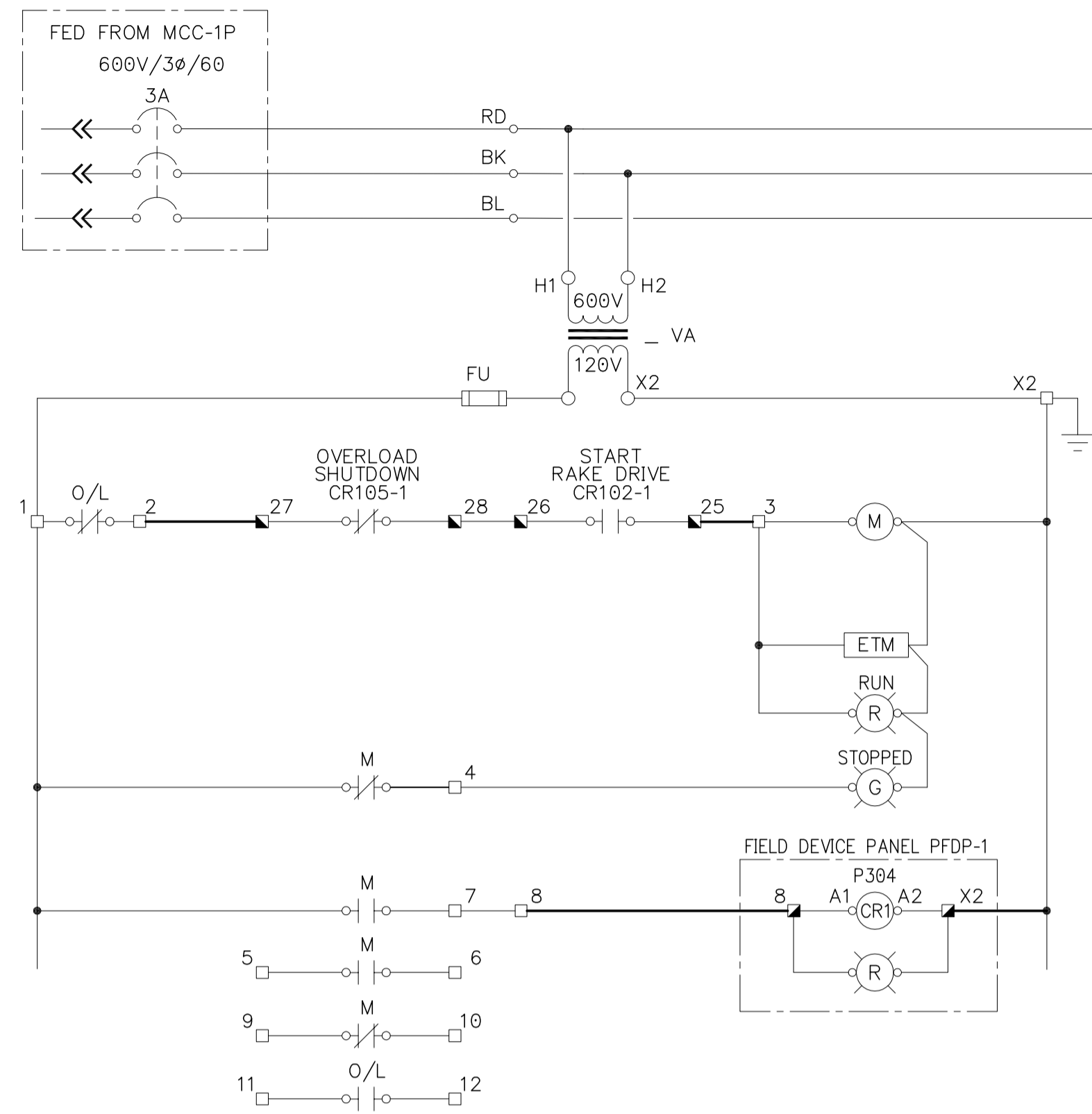


STARTER UNIT

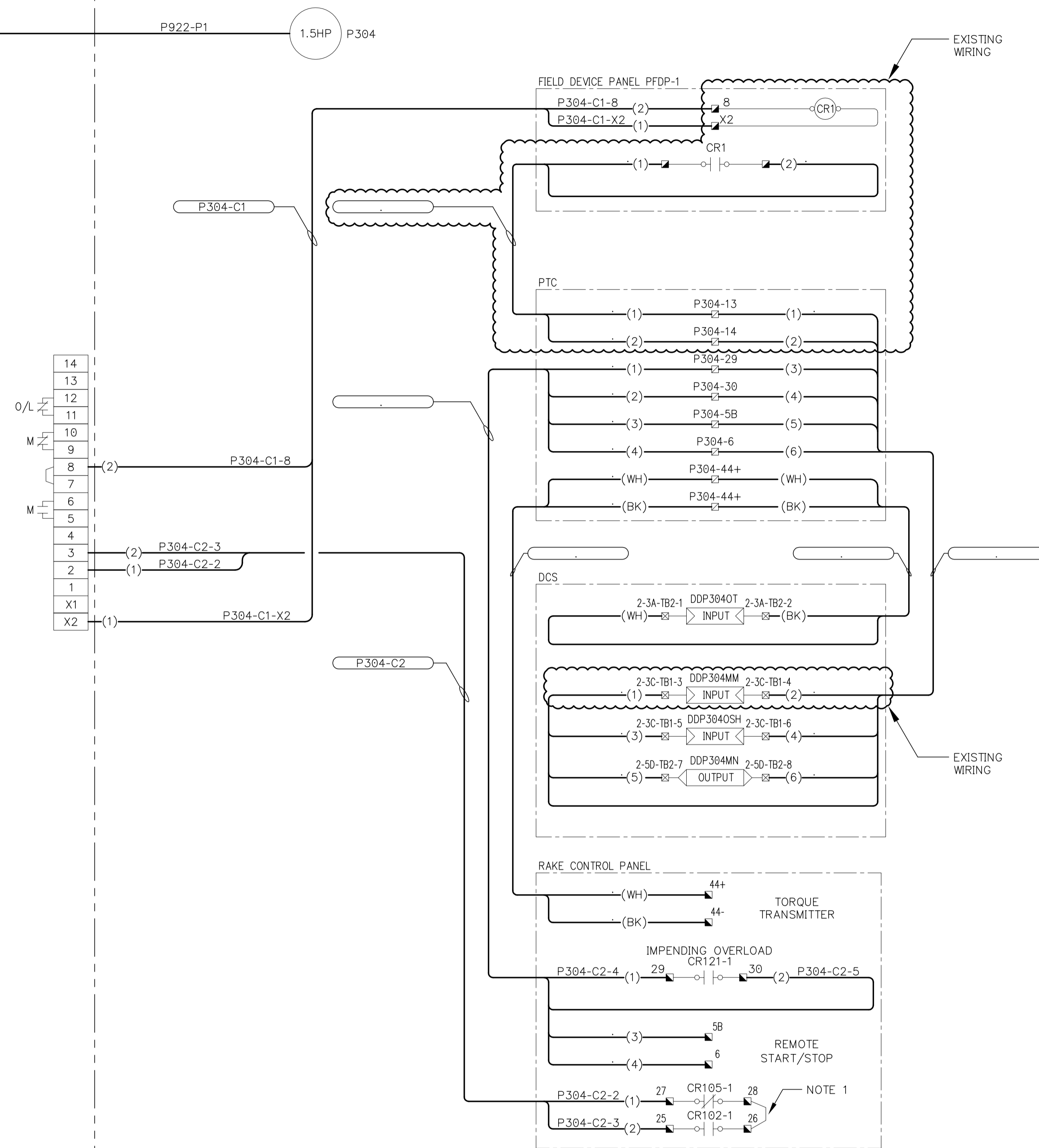
FIELD

NOTES:

- 1. INSTALL JUMPER BETWEEN TERMINALS 26 & 28 IN RAKE CONTROL PANEL.



SCHMATIC DIAGRAM

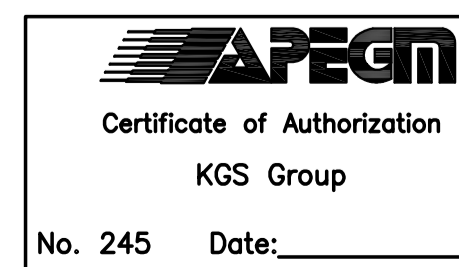


WIRING DIAGRAM

LEGEND

- STARTER TERMINALS
- PFDP-1 TERMINALS
- DCS TERMINALS
- PTC TERMINALS
- RAKE CONTROL PANEL
- FIELD WIRING
- PANEL WIRING
- () CONDUCTOR IDENTIFICATION
- WIRE CONNECTION
- PILOT LIGHT
- ETM ELAPSED TIME METER

COWLEGGEND



<p>B.M. : ELEV. :</p>		<p>KGS GROUP CONSULTING ENGINEERS & PROJECT MANAGERS</p>		<p>CH2MHILL</p>		<p>ENGINEER'S SEAL PROVINCE OF MANITOBA R.E. WILLMS REGISTERED PROFESSIONAL ENGINEER</p>		<p>THE CITY OF WINNIPEG WATER AND WASTE DEPARTMENT</p>	
<p>DESIGNED BY: DDW</p>		<p>CHECKED BY: REW</p>		<p>APPROVED BY:</p>		<p>CONSULTANT DRAWING NO. 1-0101P-E0014-001</p>		<p>PROJECT TITLE NORTH END WATER POLLUTION CONTROL CENTRE MOTOR STARTER P304-1PM3 CLARIFIER 3 RAKE</p>	
<p>DRAWN BY: GCN</p>		<p>HOR. SCALE: N.T.S</p>		<p>RELEASED FOR CONSTRUCTION:</p>		<p>SHEET 001 OF 001</p>		<p>COMPUTER FILE NAME 1-0101P-E0014-001</p>	
<p>NO. 01</p>		<p>ISSUED FOR TENDER</p>		<p>DATE: 15/02/08</p>		<p>DATE: 25/11/06</p>		<p>CITY DRAWING NUMBER 1-0101P-E0014-001</p>	