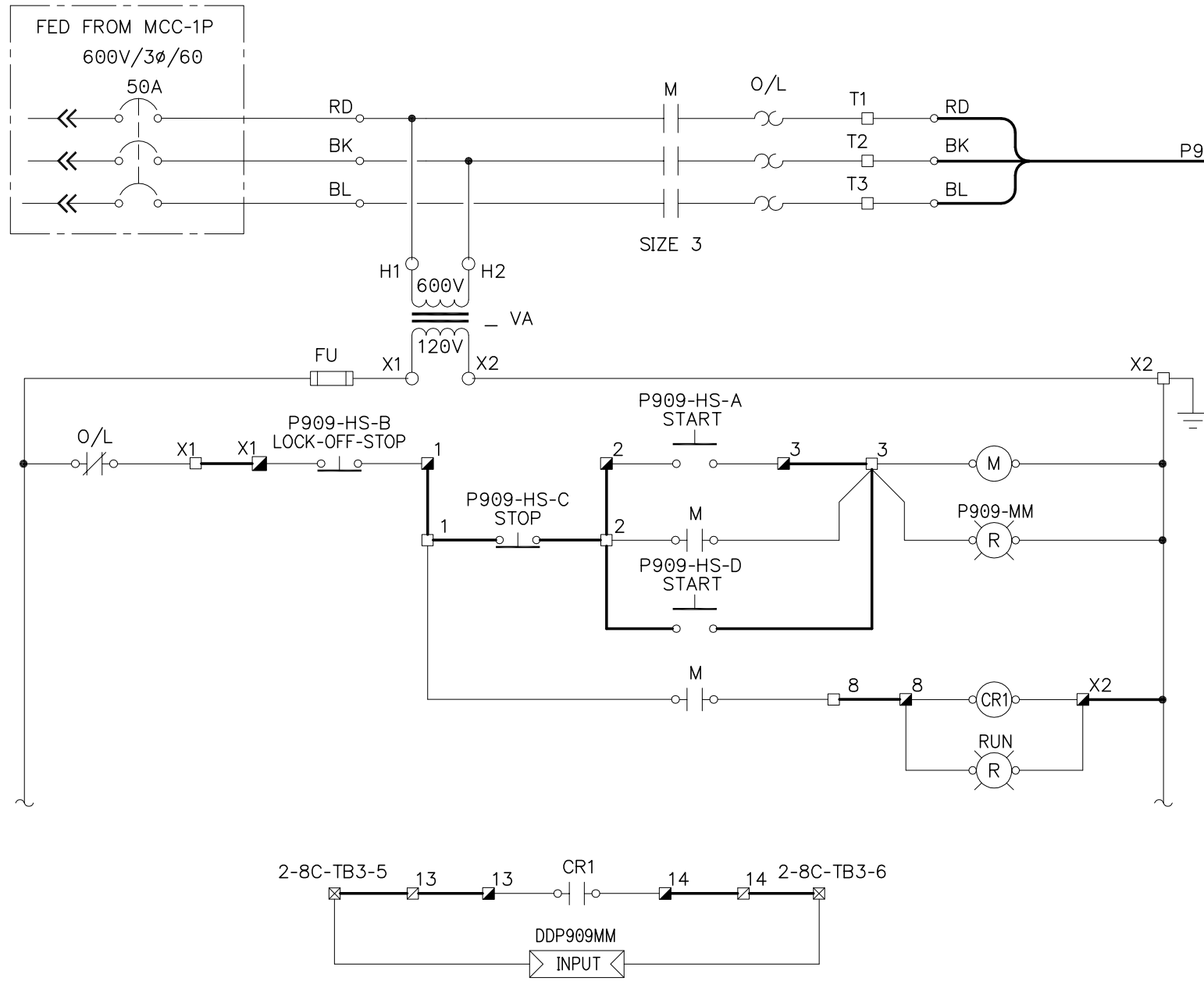


STARTER UNIT

FIELD

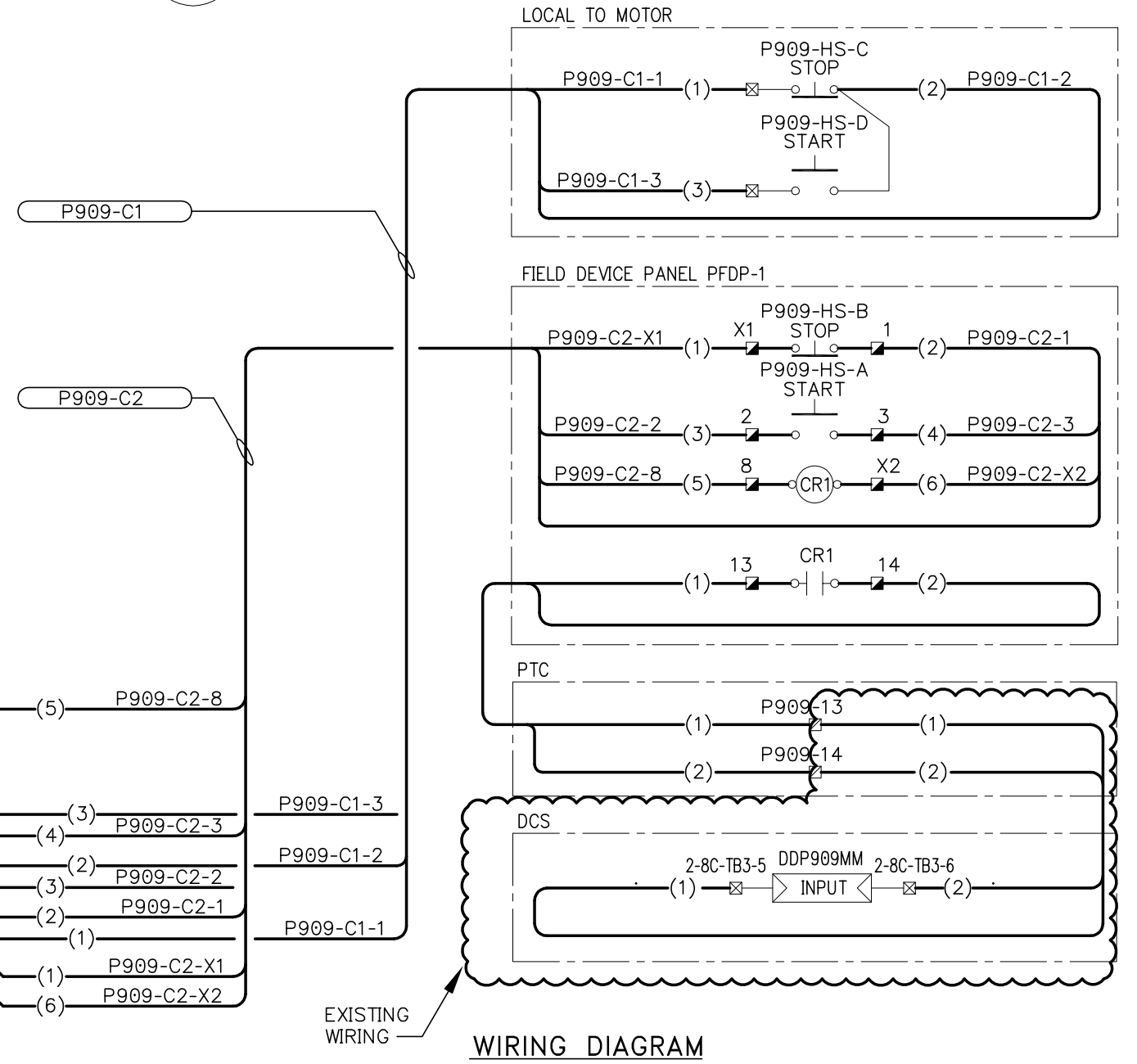


SCHMATIC DIAGRAM

NOTES:

1. -

16	
15	
14	
13	
12	
11	
10	
9	
8	(5) P909-C2-8
7	
6	
5	
4	(3) P909-C2-3
3	(4) P909-C2-3
2	(3) P909-C2-2
1	(2) P909-C2-1
X1	(1) P909-C2-X1
X2	(1) P909-C2-X1
	(6) P909-C2-X2



WIRING DIAGRAM

LEGEND

- ( ) CONDUCTOR IDENTIFICATION
- STARTER TERMINALS
- ▣ PFPD-1 TERMINALS
- ⊠ PTC TERMINALS
- ⊞ DCS TERMINALS
- FIELD WIRING
- PANEL WIRING
- WIRE CONNECTION
- PILOT LIGHT
- ETM ELAPSED TIME METER



B.M. ELEV.	FIELD BOOK #:
POSTED TO LBIS	
DESIGNED BY	DDW
CHECKED BY	REW
DRAWN BY	GCN
APPROVED BY	
HOR. SCALE	N.T.S.
VERTICAL	
RELEASED FOR CONSTRUCTION	
NO. REVISIONS	DATE BY
01	ISSUED FOR TENDER 15/02/08 REW
	DATE 19/01/07

**KGS GROUP**  
CONSULTING ENGINEERS & PROJECT MANAGERS

**CH2MHILL**

ENGINEER'S SEAL  
PROVINCE OF MANITOBA  
R.E. WILLMS  
REGISTERED PROFESSIONAL ENGINEER

TENDER No: 25-2008  
FILENAME: 1-0101P-E0019-001  
PLOT DATE: 15/02/08

**THE CITY OF WINNIPEG**  
WATER AND WASTE DEPARTMENT

NORTH END WATER POLLUTION CONTROL CENTRE  
MOTOR STARTER  
P909-1PP23  
SCUM TRANSFER PUMP 3 CLARIFIERS 4 & 5

SHEET 001 OF 001  
CITY DRAWING NUMBER  
1-0101P-E0019-001