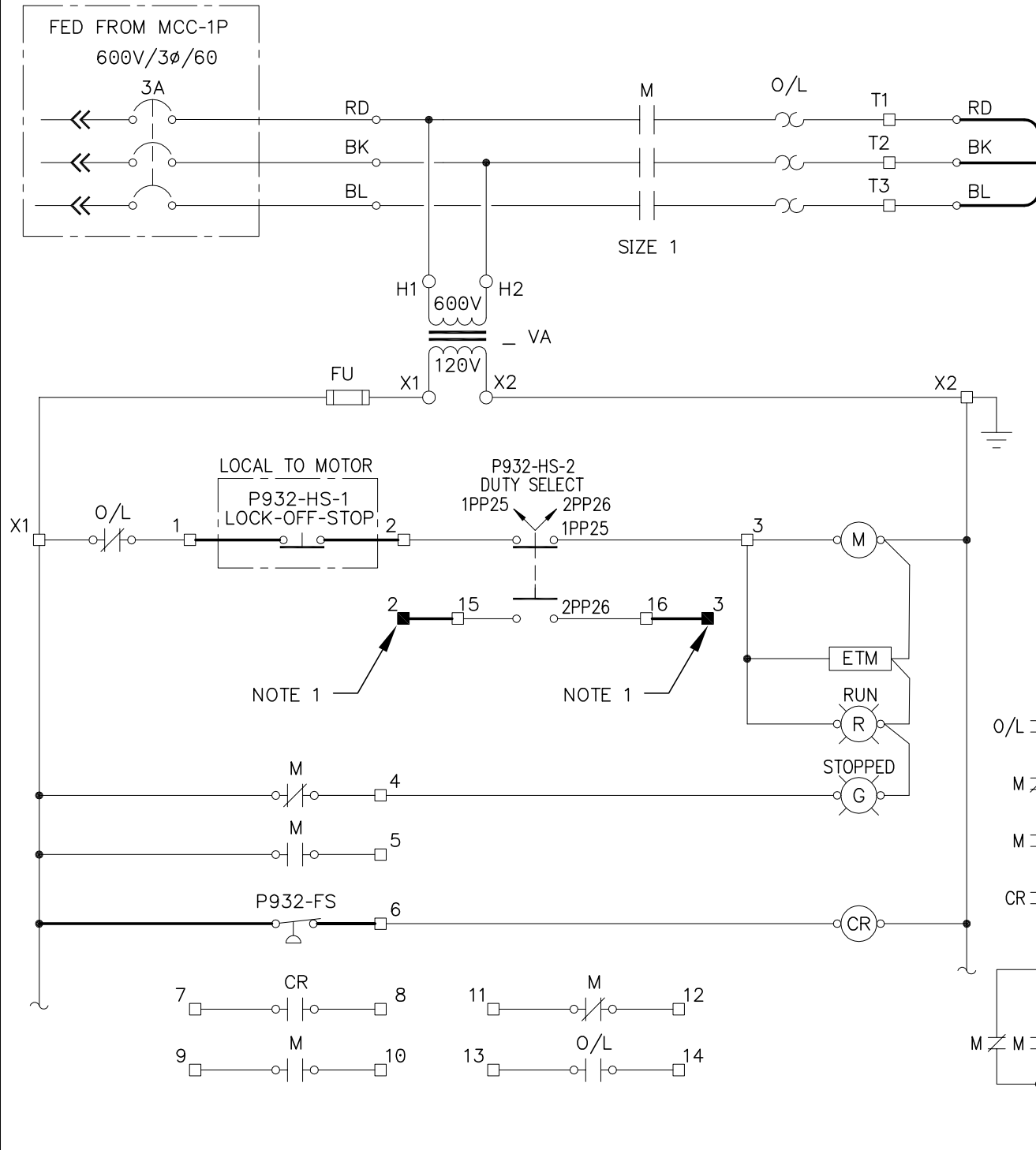


STARTER UNIT

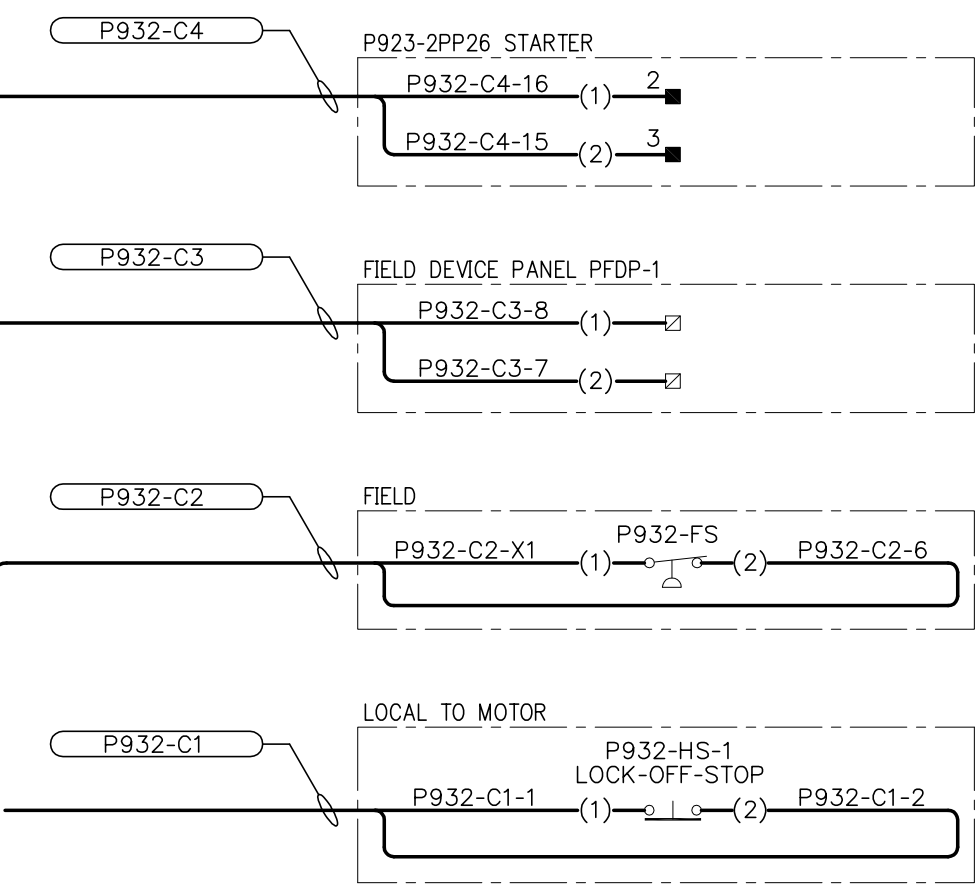
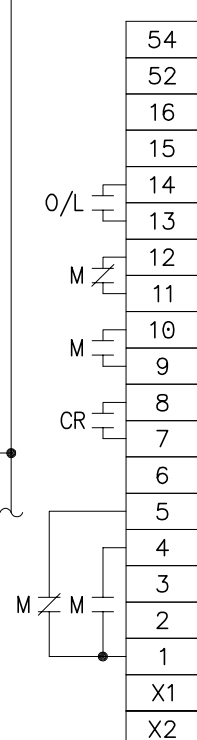
FIELD

NOTES:

1. REFER TO SCHEMATIC P932-2PP26 FOR CONTINUATION.



SCHEMATIC DIAGRAM



WIRING DIAGRAM

LEGEND

- ( ) CONDUCTOR IDENTIFICATION
- STARTER TERMINALS
- P933-2PP26 STARTER TERMINALS
- ⊠ PFDP-1 TERMINALS
- FIELD WIRING
- PANEL WIRING
- WIRE CONNECTION
- PILOT LIGHT
- ETM ELAPSED TIME METER



B.M. ELEV.	FIELD BOOK #:
POSTED TO LBIS	
DESIGNED BY: <b>DDW</b>	CHECKED BY: <b>REW</b>
DRAWN BY: <b>GCN</b>	APPROVED BY: .
HOR. SCALE: <b>N.T.S.</b>	RELEASED FOR CONSTRUCTION: .
VERTICAL: .	DATE: <b>19/01/07</b>
NO. REVISIONS	DATE BY
01 ISSUED FOR TENDER	15/02/08 REW

**KGS GROUP**  
CONSULTING ENGINEERS & PROJECT MANAGERS

**CH2MHILL**

ENGINEER'S SEAL  
PROVINCE OF MANITOBA  
**R.E. WILLMS**  
REGISTERED PROFESSIONAL ENGINEER

TENDER No: **25-2008**  
FILENAME: 1-0101P-E0020-001  
PLOT DATE: 15/02/08

**THE CITY OF WINNIPEG**  
WATER AND WASTE DEPARTMENT

NORTH END WATER POLLUTION CONTROL CENTRE  
MOTOR STARTER  
P932-1PP25  
HOT WATER RECIRCULATING PUMP 1

SHEET 001 OF 001  
CITY DRAWING NUMBER  
1-0101P-E0020-001