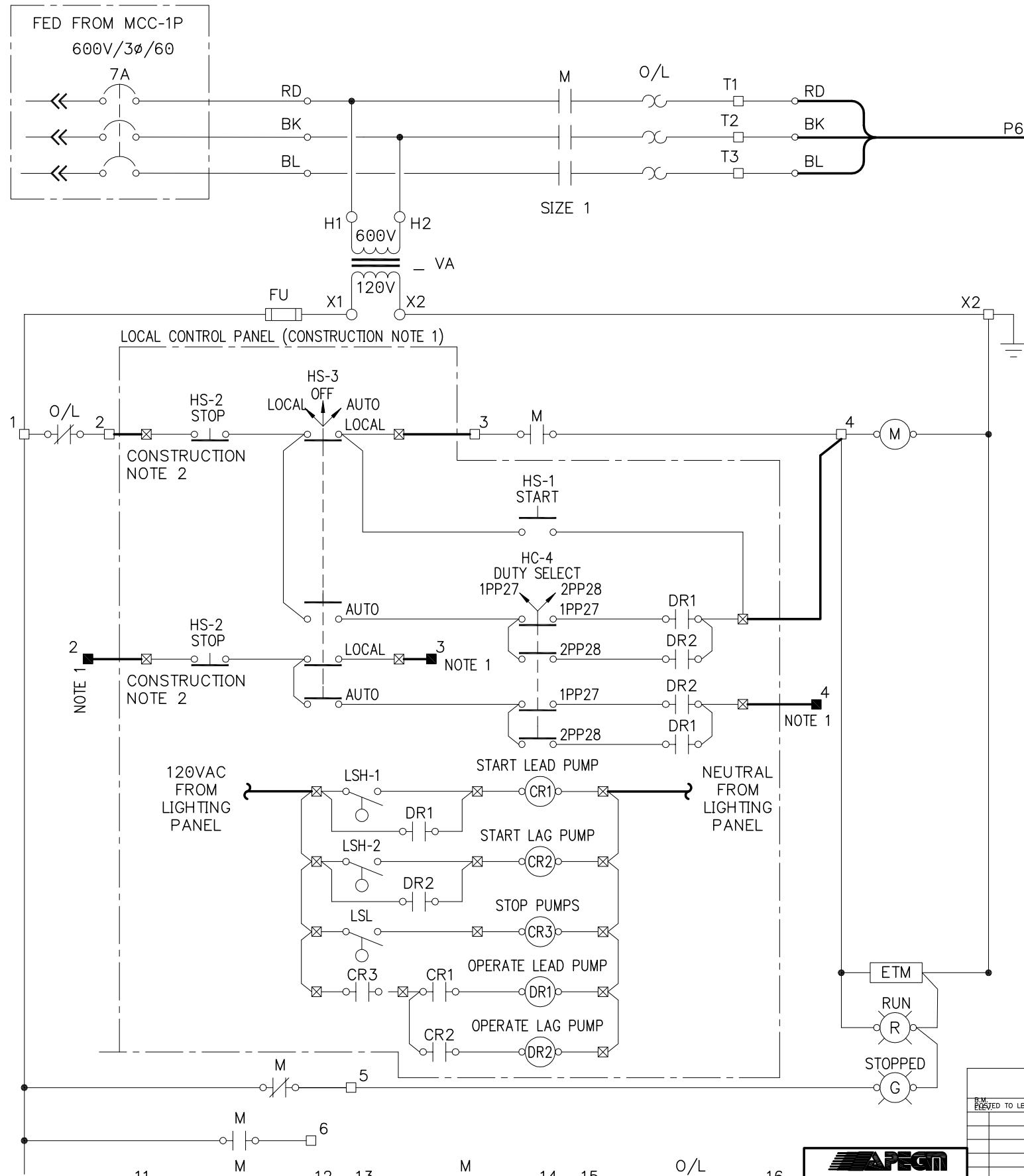


STARTER UNIT

FIELD



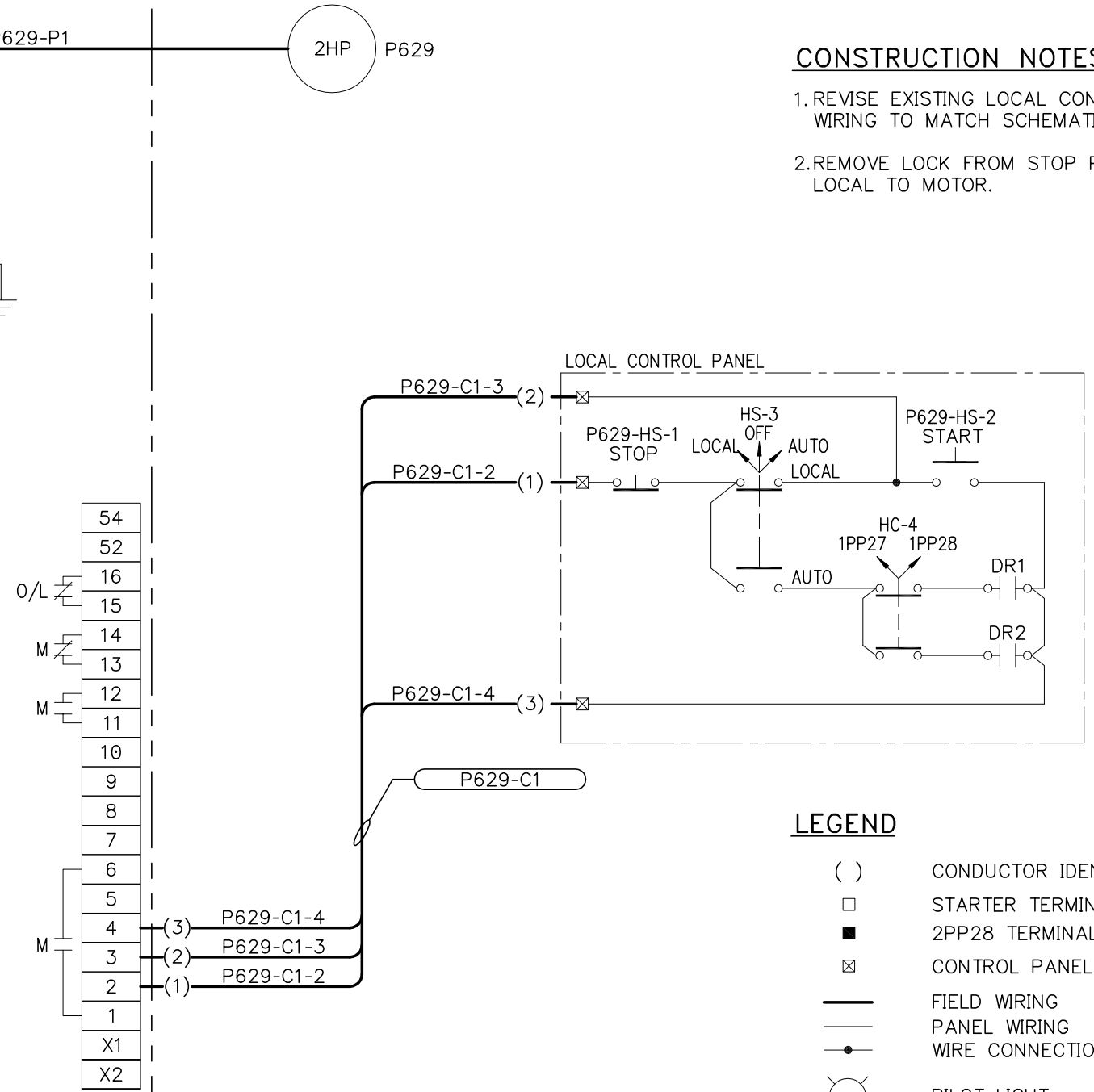
SCHEMATIC DIAGRAM

NOTES:

1. REFER TO SCHEMATIC P632-2PP28 FOR CONTINUATION.

CONSTRUCTION NOTES:

1. REVISE EXISTING LOCAL CONTROL PANEL WIRING TO MATCH SCHEMATIC.
2. REMOVE LOCK FROM STOP PUSHBUTTON LOCAL TO MOTOR.

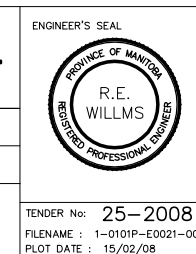


WIRING DIAGRAM



NO.	REVISIONS	DATE	BY
01	ISSUED FOR TENDER	15/02/08	REW

DESIGNED BY: DDW	CHECKED BY: REW
DRAWN BY: GCN	APPROVED BY: .
HOR. SCALE: N.T.S.	RELEASED FOR CONSTRUCTION: .
VERTICAL: .	DATE: 19/01/07



THE CITY OF WINNIPEG
 WATER AND WASTE DEPARTMENT

NORTH END WATER POLLUTION CONTROL CENTRE
 MOTOR STARTER
 P629-1PP27
 GALLERY SUMP PUMP 1 CLARIFIER 4 & 5

SHEET 001 OF 001
 CITY DRAWING NUMBER
 1-0101P-E0021-001