

STARTER UNIT

FIELD

NOTES:

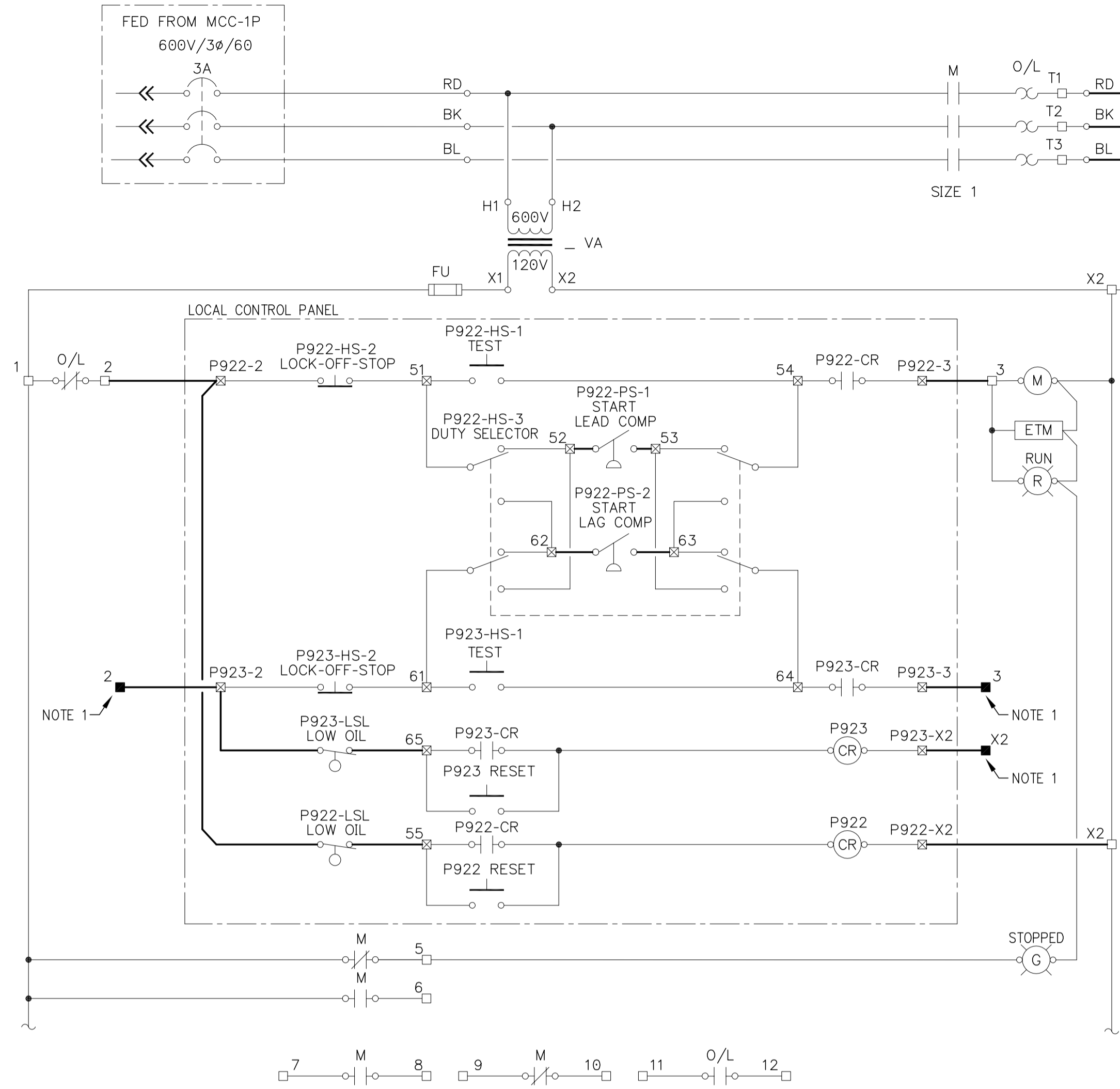
1. REFER TO SCHEMATIC P923-2PR22 FOR CONTINUATION.

CONSTRUCTION NOTES:

1. REVISE LOCAL CONTROL PANEL WIRING TO MATCH SCHEMATIC.

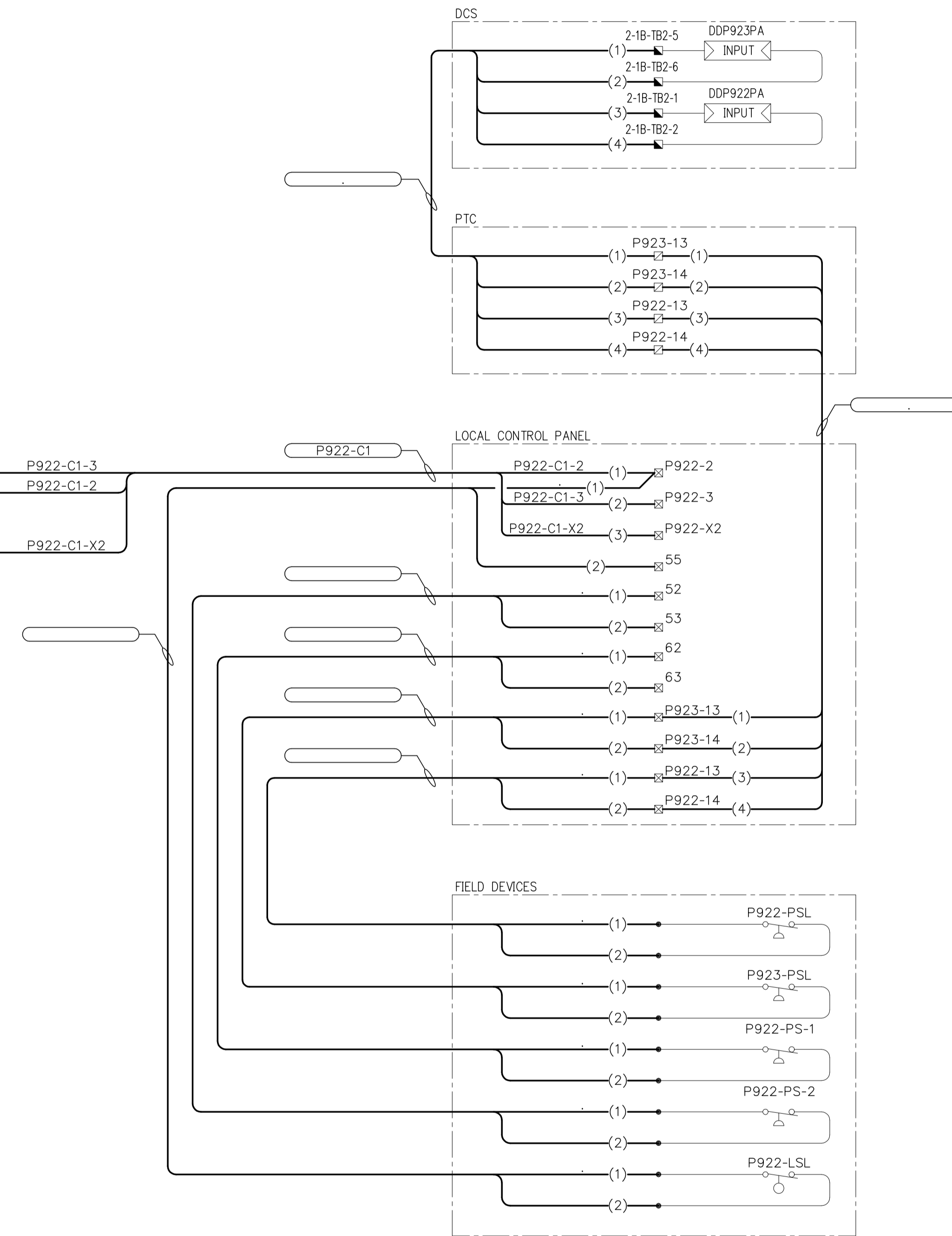
LEGEND

- STARTER TERMINALS
- P923-2PR22 STARTER TERMINALS
- ⊠ CONTROL PANEL TERMINALS
- ⊞ PTC TERMINALS
- ▣ DCS TERMINALS
- FIELD WIRING
- PANEL WIRING
- () CONDUCTOR IDENTIFICATION
- WIRE CONNECTION
- PILOT LIGHT
- ETM ELAPSED TIME METER



SCHEMATIC DIAGRAM

16
15
14
13
12
11
10
9
8
7
6
5
4
3
2
1
X1
X2



WIRING DIAGRAM

COWLEGGEND



B.M.	:			
ELEV.	:			
DESIGNED BY	DDW	CHECKED BY		
DRAWN BY	GCN	APPROVED BY		
HOR. SCALE:	N.T.S	RELEASED FOR CONSTRUCTION:		
VERTICAL:		DATE		
NO.	REVISIONS	DATE	BY	DATE
01	ISSUED FOR TENDER	15/02/08	REW	19/01/07

KGS GROUP
CONSULTING ENGINEERS & PROJECT MANAGERS

CH2MHILL

ENGINEER'S SEAL
PROVINCE OF MANITOBA
R.E. WILLMS
REGISTERED PROFESSIONAL ENGINEER

CONSULTANT DRAWING NO.
1-0101P-E0022-001

THE CITY OF WINNIPEG
WATER AND WASTE DEPARTMENT

Winnipeg

PROJECT TITLE
NORTH END WATER POLLUTION CONTROL CENTRE
MOTOR STARTER
P922-1PR21
INSTRUMENT AIR COMPRESSOR 1

SHEET 001 OF 001
COMPUTER FILE NAME
1-0101P-E0022-001
CITY DRAWING NUMBER
1-0101P-E0022-001