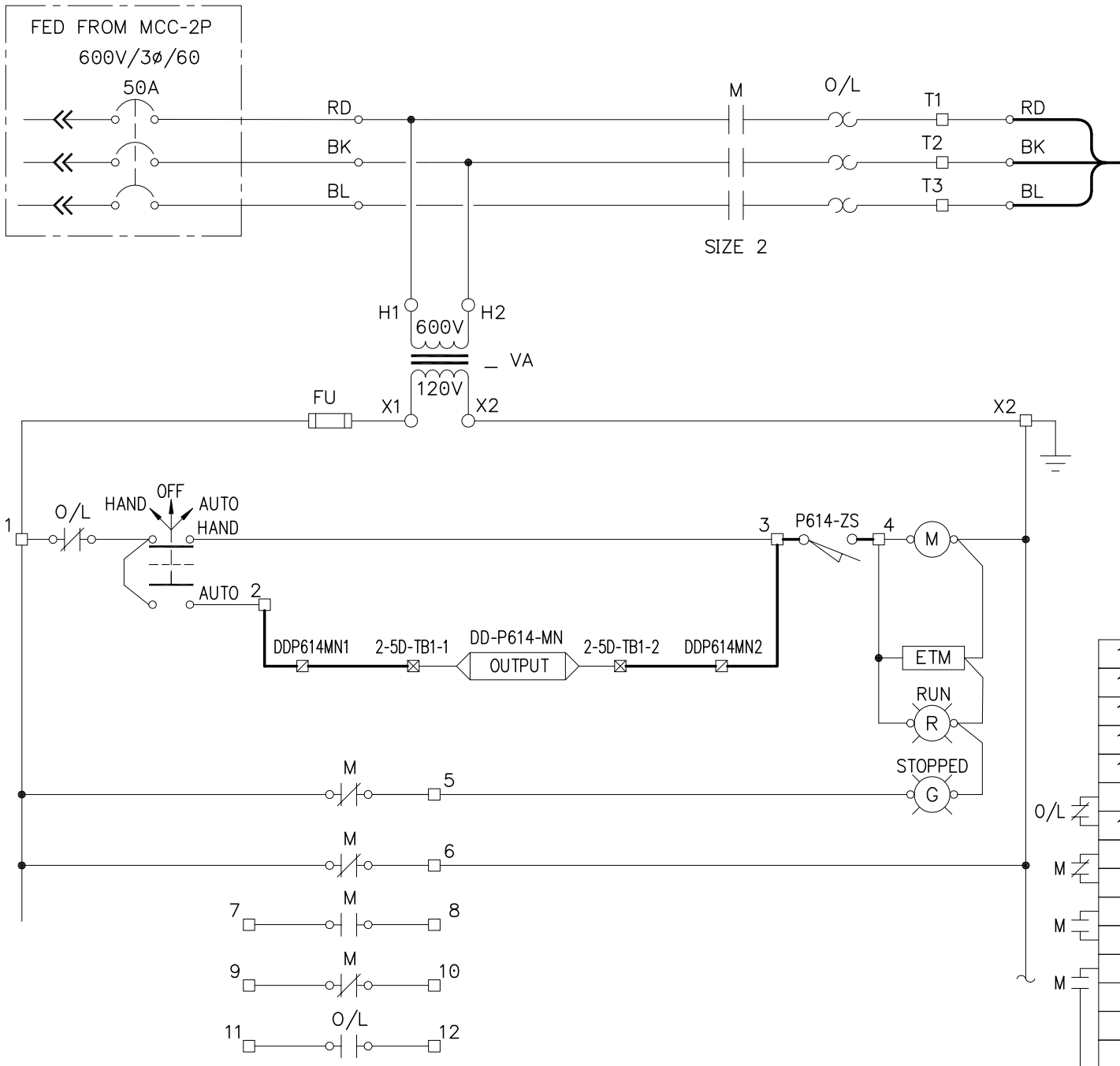


STARTER UNIT

FIELD



SCHMATIC DIAGRAM

NOTES:

1. -

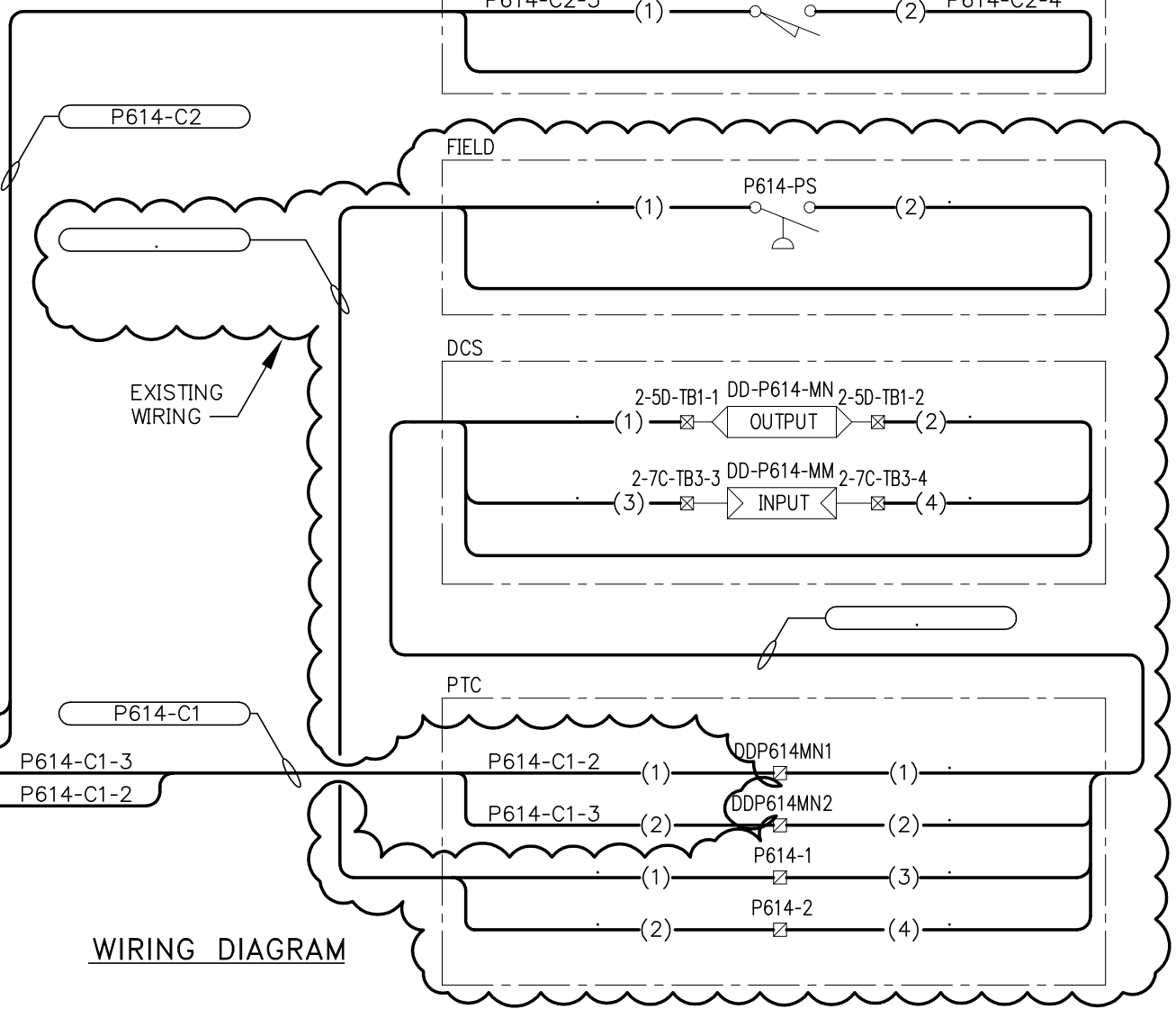
CONSTRUCTION NOTES:

1. REMOVE EXISTING LOCK-OFF-STOP PUSHBUTTON LOCAL TO MOTOR.

LEGEND

- ( ) CONDUCTOR IDENTIFICATION
- STARTER TERMINALS
- ⊠ DCS TERMINALS
- ⊡ PTC TERMINALS
- FIELD WIRING
- PANEL WIRING
- WIRE CONNECTION
- PILOT LIGHT
- ETM ELAPSED TIME METER

16
15
14
13
12
11
10
9
8
7
6
5
4
3
2
1
X1
X2



WIRING DIAGRAM



B.M. ELEV.	FIELD BOOK #:
POSTED TO LBIS	
DESIGNED BY	DDW
CHECKED BY	REW
DRAWN BY	GCH
APPROVED BY	
HOR. SCALE	N.T.S.
VERTICAL	
RELEASED FOR CONSTRUCTION	
NO. REVISIONS	DATE BY
01	ISSUED FOR TENDER 15/02/08 REW
	DATE 19/01/07

**KGS GROUP**  
CONSULTING ENGINEERS & PROJECT MANAGERS

**CH2MHILL**

ENGINEER'S SEAL  
PROVINCE OF MANITOBA  
R.E. WILLMS  
REGISTERED PROFESSIONAL ENGINEER

**THE CITY OF WINNIPEG**  
WATER AND WASTE DEPARTMENT

NORTH END WATER POLLUTION CONTROL CENTRE  
MOTOR STARTER  
P614-2PF30  
SUMMER EXHAUST FAN 4 CLARIFIERS 4 & 5

TENDER No: 25-2008  
FILENAME: 1-0101P-E0028-001  
PLOT DATE: 15/02/08

SHEET 001 OF 001  
CITY DRAWING NUMBER  
1-0101P-E0028-001