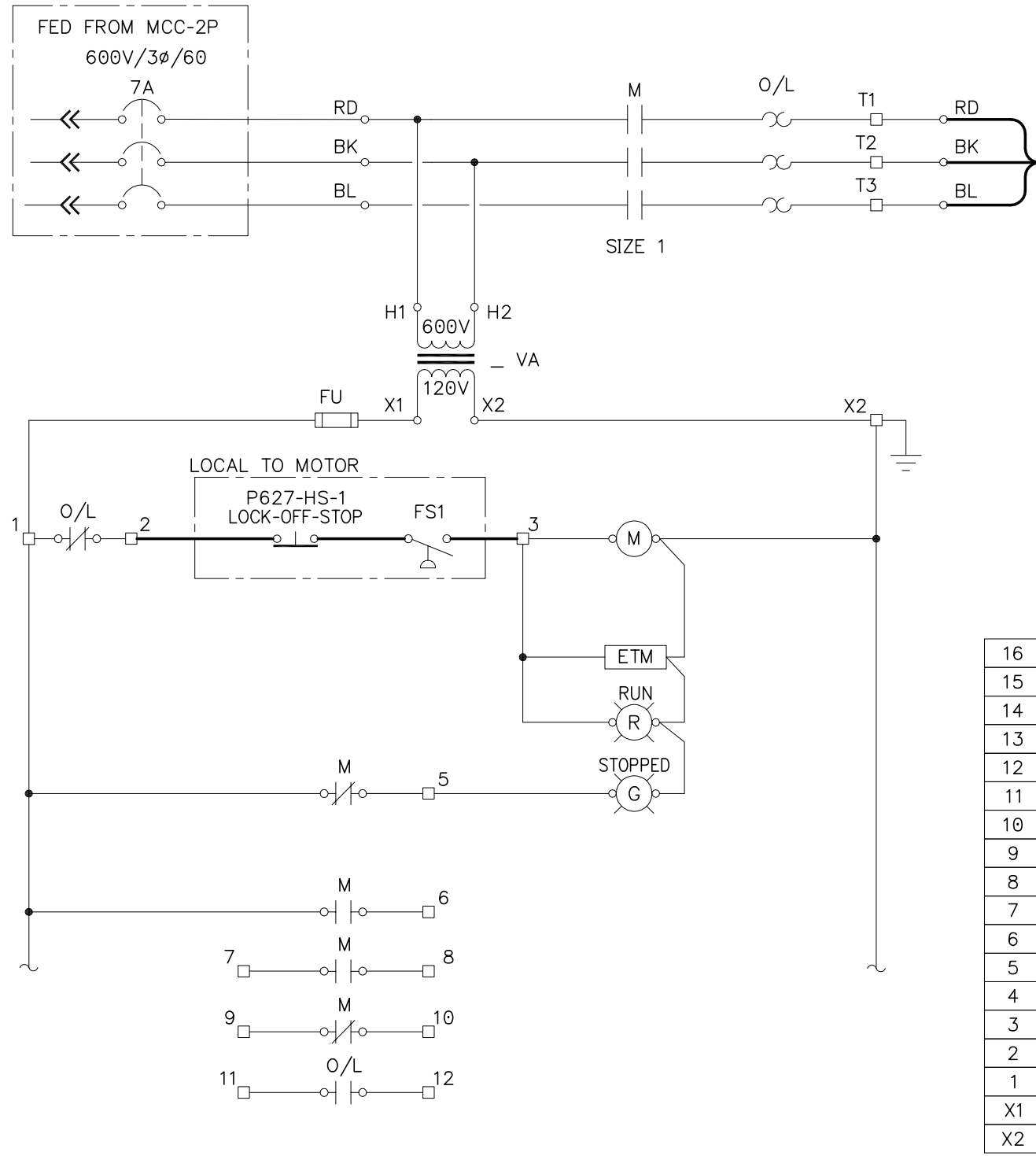


STARTER UNIT

FIELD

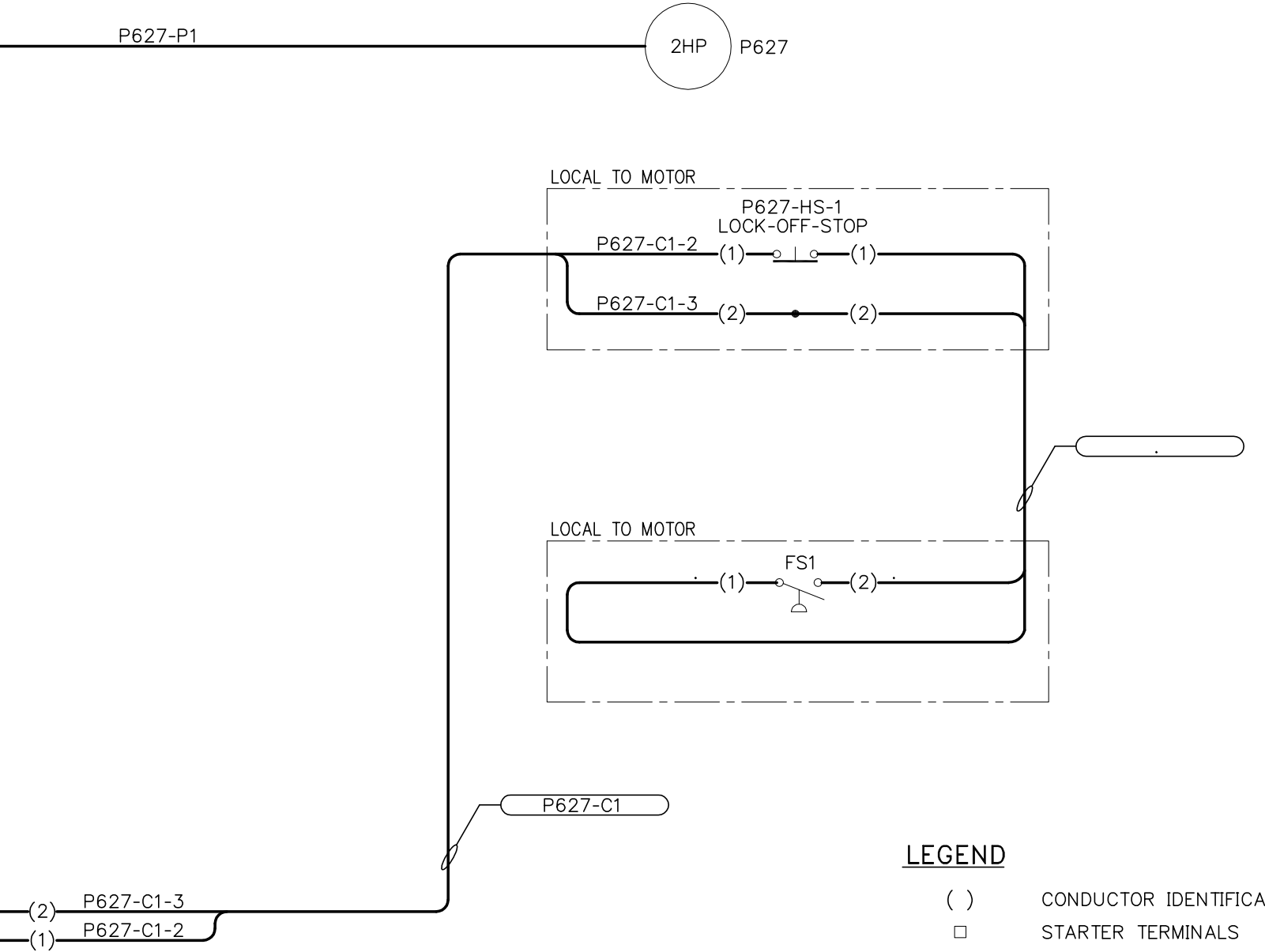
NOTES:

1. -



SCHEMATIC DIAGRAM

16
15
14
13
12
11
10
9
8
7
6
5
4
3
2
1
X1
X2



WIRING DIAGRAM

LEGEND

- () CONDUCTOR IDENTIFICATION
- STARTER TERMINALS
- FIELD WIRING
- - - PANEL WIRING
- WIRE CONNECTION
- PILOT LIGHT
- ETM ELAPSED TIME METER



B.M. ELEV.	FIELD BOOK #:
POSTED TO LBIS	
DESIGNED BY: DDW	CHECKED BY: REW
DRAWN BY: GCN	APPROVED BY: .
HOR. SCALE: N.T.S.	RELEASED FOR CONSTRUCTION: _____
VERTICAL: .	DATE: 19/01/07
NO. REVISIONS	DATE BY
01 ISSUED FOR TENDER	15/02/08 REW

KGS GROUP
CONSULTING ENGINEERS & PROJECT MANAGERS

CH2MHILL

ENGINEER'S SEAL
PROVINCE OF MANITOBA
R.E. WILLMS
REGISTERED PROFESSIONAL ENGINEER

TENDER No: **25-2008**
FILENAME: 1-0101P-E0033-001
PLOT DATE: 15/02/08

THE CITY OF WINNIPEG
WATER AND WASTE DEPARTMENT

Winnipeg

NORTH END WATER POLLUTION CONTROL CENTRE
MOTOR STARTER
P627-2PP14
SUMP PUMP SCUM ROOM

SHEET 001 OF 001
CITY DRAWING NUMBER
1-0101P-E0033-001