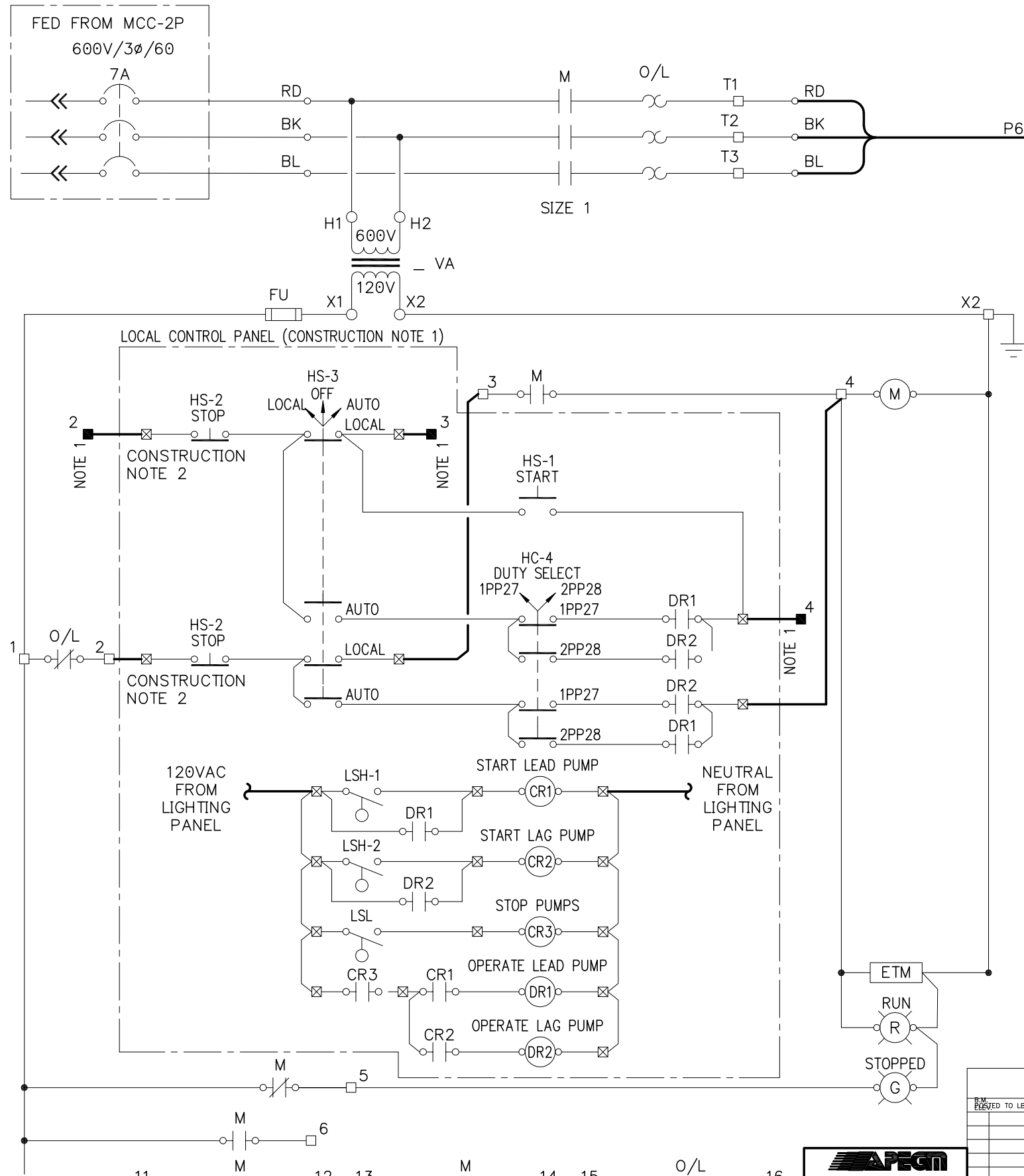


STARTER UNIT

FIELD



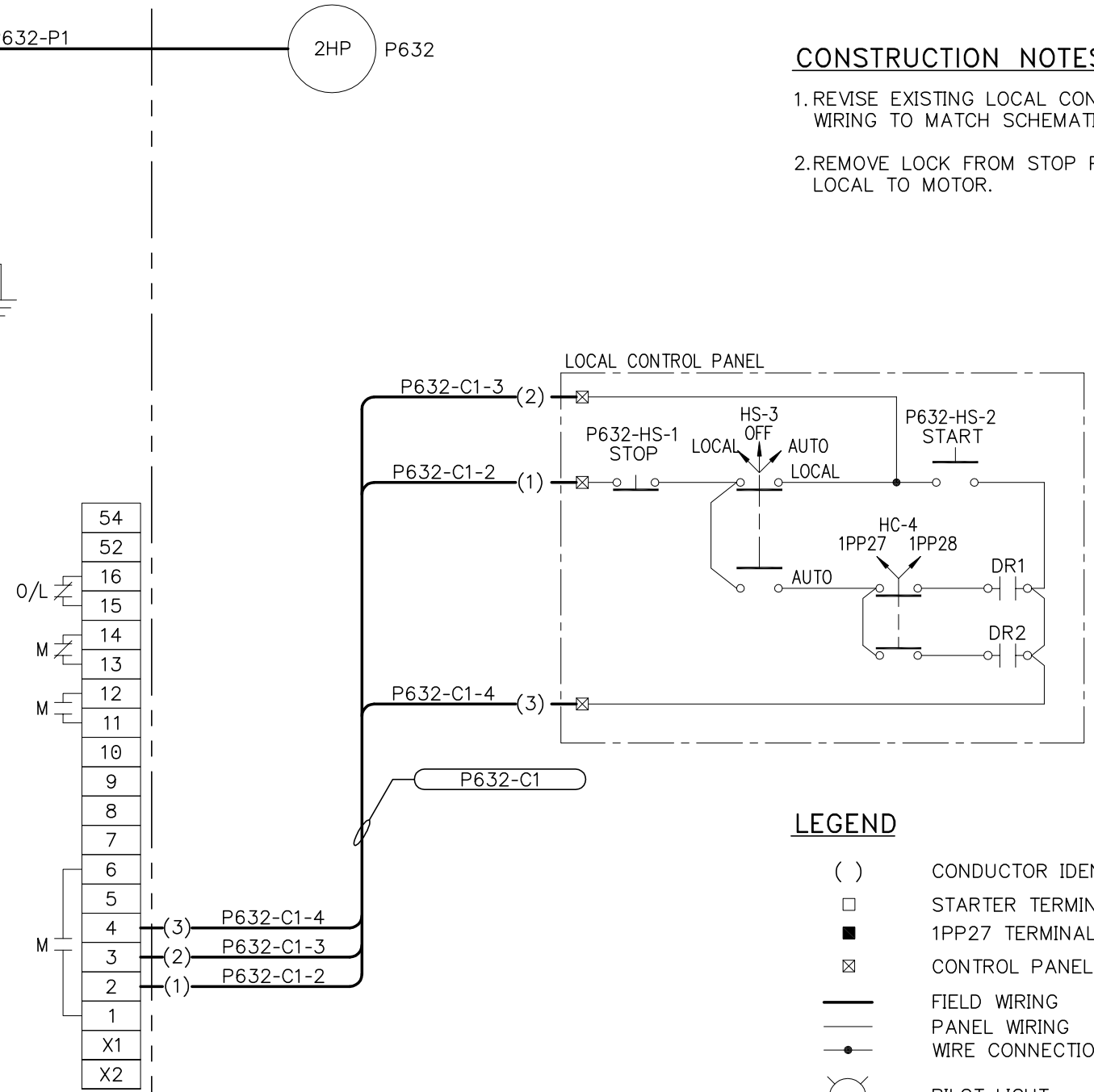
SCHEMATIC DIAGRAM

NOTES:

1. REFER TO SCHEMATIC P629-1PP27 FOR CONTINUATION.

CONSTRUCTION NOTES:

1. REVISE EXISTING LOCAL CONTROL PANEL WIRING TO MATCH SCHEMATIC.
2. REMOVE LOCK FROM STOP PUSHBUTTON LOCAL TO MOTOR.



WIRING DIAGRAM

LEGEND

- () CONDUCTOR IDENTIFICATION
- STARTER TERMINALS
- 1PP27 TERMINALS
- ⊗ CONTROL PANEL TERMINALS
- FIELD WIRING
- PANEL WIRING
- WIRE CONNECTION
- PILOT LIGHT
- ETM ELAPSED TIME METER



NO.	REVISIONS	DATE	BY
01	ISSUED FOR TENDER	15/02/08	REW

DESIGNED BY: DDW	CHECKED BY: REW
DRAWN BY: GCN	APPROVED BY: .
HOR. SCALE: N.T.S.	RELEASED FOR CONSTRUCTION: .
VERTICAL: .	DATE: 19/01/07

ENGINEER'S SEAL
 PROVINCE OF MANITOBA
R.E. WILLMS
 REGISTERED PROFESSIONAL ENGINEER
 TENDER No: 25-2008
 FILENAME: 1-0101P-E0037-001
 PLOT DATE: 15/02/08

THE CITY OF WINNIPEG
 WATER AND WASTE DEPARTMENT
 NORTH END WATER POLLUTION CONTROL CENTRE
 MOTOR STARTER
 P632-2PP28
 GALLERY SUMP PUMP 2 CLARIFIER 4 & 5

SHEET 001 OF 001
 CITY DRAWING NUMBER
 1-0101P-E0037-001