

STARTER UNIT

FIELD

NOTES:

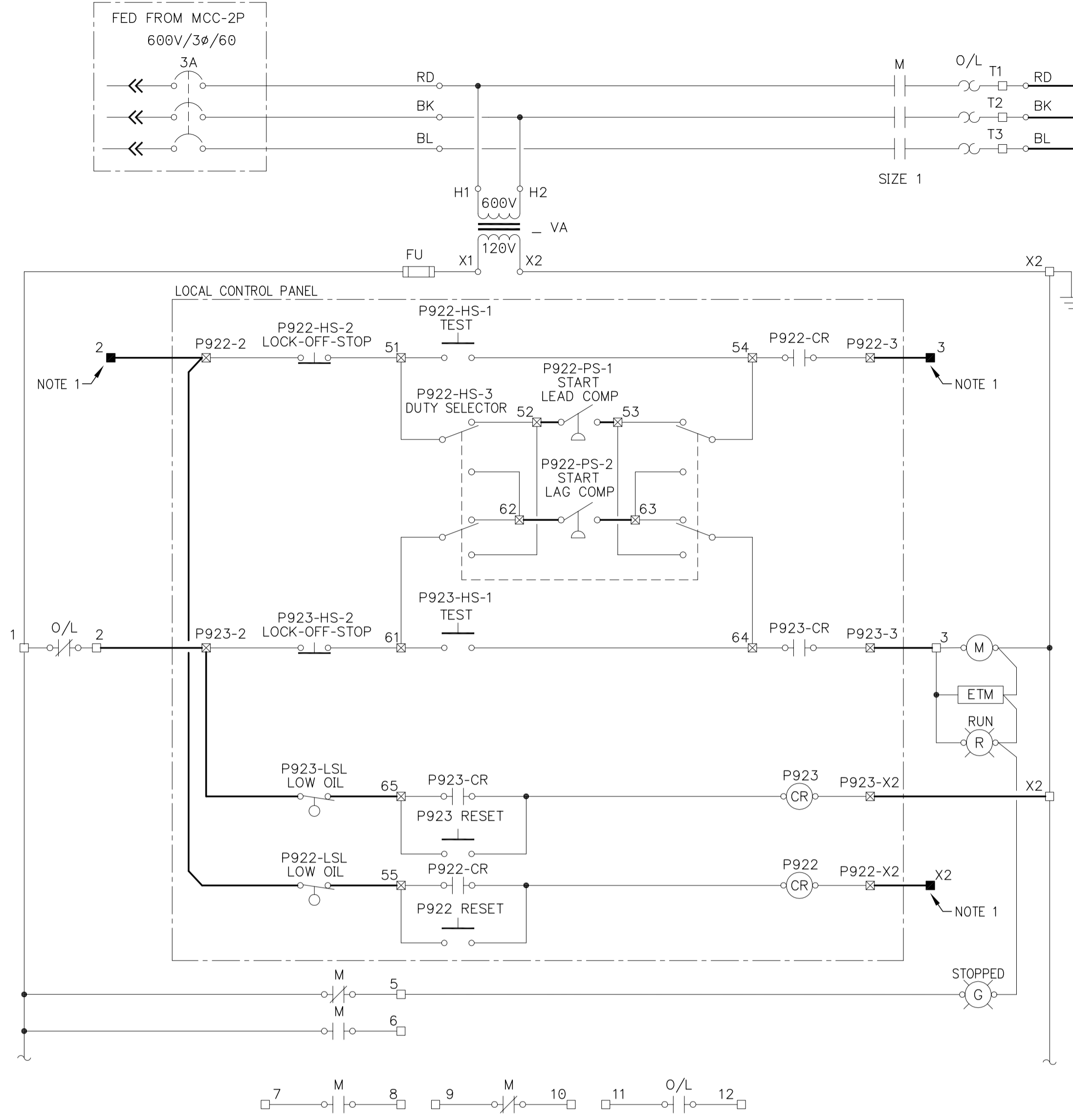
1. REFER TO SCHEMATIC P922-1PR21 FOR CONTINUATION.

CONSTRUCTION NOTES:

1. REVISE LOCAL CONTROL PANEL WIRING TO MATCH SCHEMATIC.

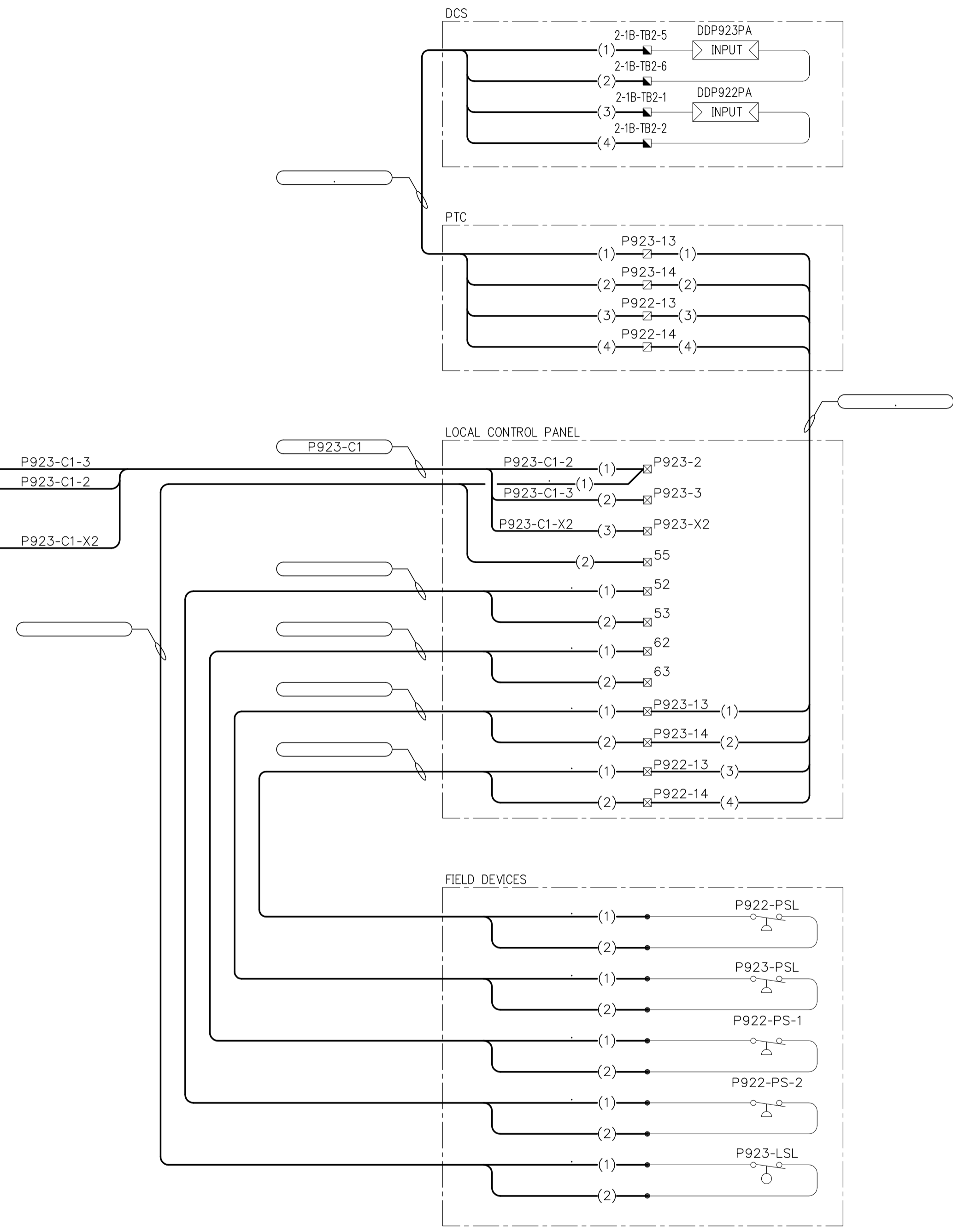
LEGEND

- STARTER TERMINALS
- P923-2PR22 STARTER TERMINALS
- ⊠ CONTROL PANEL TERMINALS
- ⊞ PTC TERMINALS
- ▣ DCS TERMINALS
- FIELD WIRING
- PANEL WIRING
- ( ) CONDUCTOR IDENTIFICATION
- WIRE CONNECTION
- PILOT LIGHT
- ETM ELAPSED TIME METER



SCHEMATIC DIAGRAM

16
15
14
13
12
11
10
9
8
7
6
5
4
3
2
1
X1
X2



WIRING DIAGRAM

COWLEGGEND



B.M.	:			
ELEV.	:			
DESIGNED BY	DDW	CHECKED BY		
DRAWN BY	GCN	APPROVED BY		
HOR. SCALE:	N.T.S	RELEASED FOR CONSTRUCTION:		
VERTICAL:		DATE		
NO.	REVISIONS	DATE	BY	DATE
01	ISSUED FOR TENDER	15/02/08	REW	
				19/01/07

**KGS GROUP**  
CONSULTING ENGINEERS & PROJECT MANAGERS

**CH2MHILL**

ENGINEER'S SEAL  
PROVINCE OF MANITOBA  
R.E. WILLMS  
REGISTERED PROFESSIONAL ENGINEER

CONSULTANT DRAWING NO.  
1-0101P-E0038-001

THE CITY OF WINNIPEG  
WATER AND WASTE DEPARTMENT

Winnipeg

PROJECT TITLE  
NORTH END WATER POLLUTION CONTROL CENTRE  
MOTOR STARTER  
P923-2PR22  
INSTRUMENT AIR COMPRESSOR 2

SHEET 001 OF 001  
COMPUTER FILE NAME  
1-0101P-E0038-001  
CITY DRAWING NUMBER  
1-0101P-E0038-001