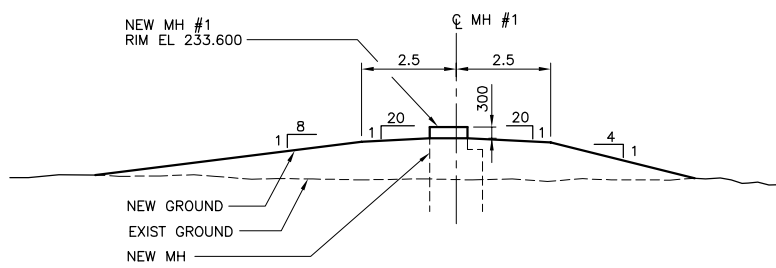
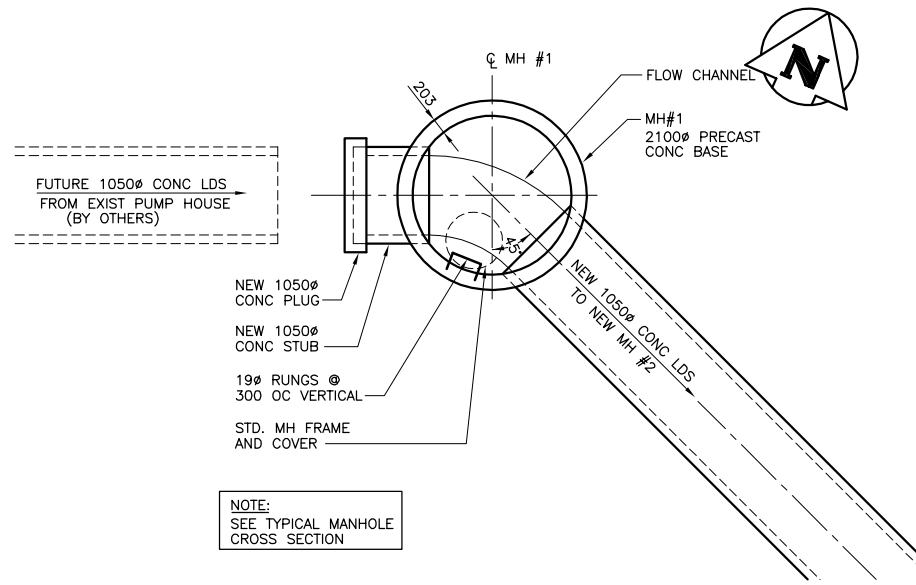


PLAN
SCALE: 1:100



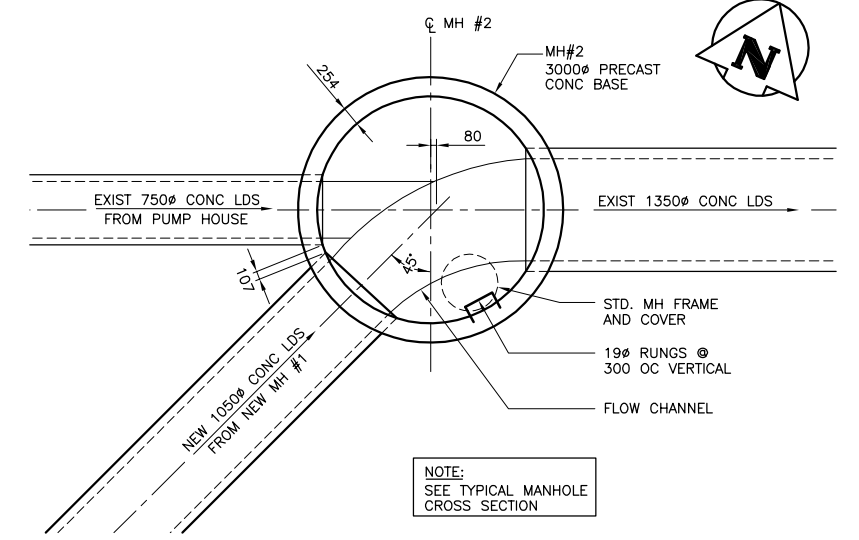
SECTION A-A
SCALE: 1:100

MANHOLE #1 SURFACE GRADING DETAIL
SCALE: 1:100



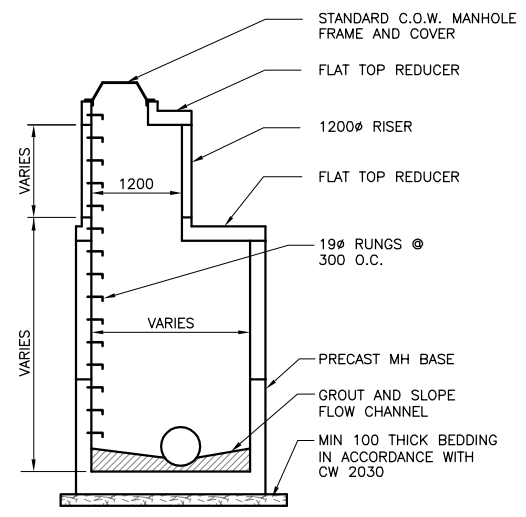
NOTE:
SEE TYPICAL MANHOLE
CROSS SECTION

PLAN
SCALE: 1:50
MANHOLE #1
SCALE: 1:50



NOTE:
SEE TYPICAL MANHOLE
CROSS SECTION

PLAN
SCALE: 1:50
MANHOLE #2
SCALE: 1:50



TYPICAL MANHOLE CROSS SECTION
SCALE: 1:50

PROPERTY LIMITS DELINEATION
DELINEATION OF PROPERTY LIMITS AS SHOWN ON THIS DWG DOES NOT REPRESENT A "LEGAL SURVEY". KGS GROUP MAKES NO REPRESENTATION OR WARRANTY AS TO THE ACCURACY OF PROPERTY LIMITS DELINEATED ON THIS DWG, NOR ON THE DIMENSIONAL ACCURACY OF DWG FEATURES RELATIVE TO THOSE PROPERTY LIMITS.

WARNING
1. NOTIFY THE GAS COMPANY OF THE PROPOSED LOCATION OF EXCAVATION.
2. TAKE PRECAUTION TO AVOID DAMAGE TO GAS COMPANY INSTALLATIONS.
3. SEE PROVINCIAL REGULATION 210/72 FOR DETAILS.

METRIC
WHOLE NUMBERS INDICATE MILLIMETRES
DECIMALIZED NUMBERS INDICATE METRES

APEGM
Certificate of Authorization
KGS Group
No. 245 Date: _____

| | | | | |
|--|-------------------|----------|----|-------------------|
| LOCATION APPROVED UNDERGROUND STRUCTURES | | | | B.M. ? ELEV. ? |
| SUPV. U/G STRUCTURES COMMITTEE | DATE | | | |
| NOTE: LOCATION OF UNDERGROUND STRUCTURES AS SHOWN ARE BASED ON THE BEST INFORMATION AVAILABLE BUT NO GUARANTEE IS GIVEN THAT ALL EXISTING UTILITIES ARE SHOWN OR THAT THE GIVEN LOCATIONS ARE EXACT. CONFIRMATION OF EXISTENCE AND EXACT LOCATION OF ALL SERVICES MUST BE OBTAINED FROM THE INDIVIDUAL UTILITIES BEFORE PROCEEDING WITH CONSTRUCTION. | | | | |
| NO. | REVISIONS | DATE | BY | DATE |
| 0 | ISSUED FOR TENDER | 28/03/08 | SH | |

KGS GROUP CONSULTING ENGINEERS & PROJECT MANAGERS
WINNIPEG (204) 896-1209
THUNDER BAY (807) 345-2233

| | |
|----------------------|----------------------------|
| DESIGNED BY SH | CHECKED BY SH |
| DRAWN BY DW | APPROVED BY |
| HOR. SCALE: AS NOTED | RELEASED FOR CONSTRUCTION: |
| VERTICAL: AS NOTED | DATE |

ENGINEER'S SEAL
ORIGINAL SIGNED BY
S.E. HARNISH
27 MAR 08

THE CITY OF WINNIPEG
WATER AND WASTE DEPARTMENT

Winnipeg

PROJECT TITLE
RAVELSTON LAND DRAINAGE PUMPING STATION DISCHARGE SEWER UPGRADE MISCELLANEOUS DETAILS

SHEET OF
02 OF **02**

COMPUTER FILE NAME
BASE-PLOT.DWG

CITY DRAWING NUMBER
LD-5002

CONSULTANT DRAWING NO.
07-0107-05

P:\PROJECTS\2007\07-0107-05\MUN.DWGS\RAVELSTON SEWER\DWG\BASE-PLOT.DWG