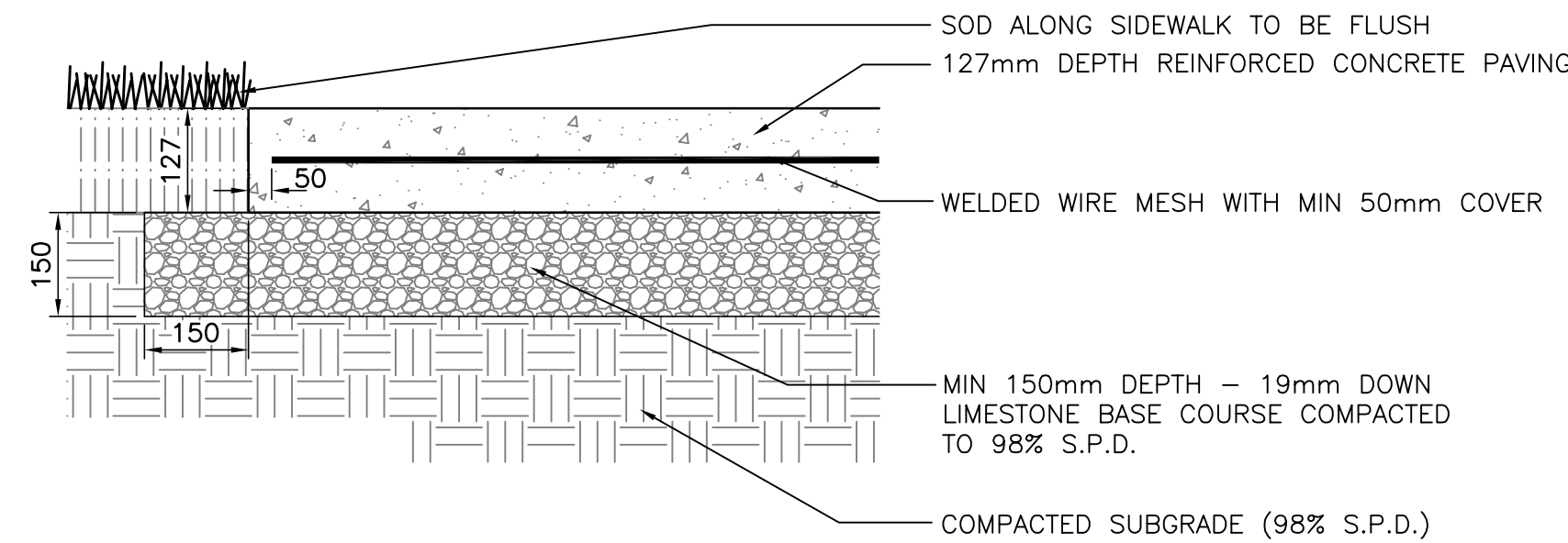
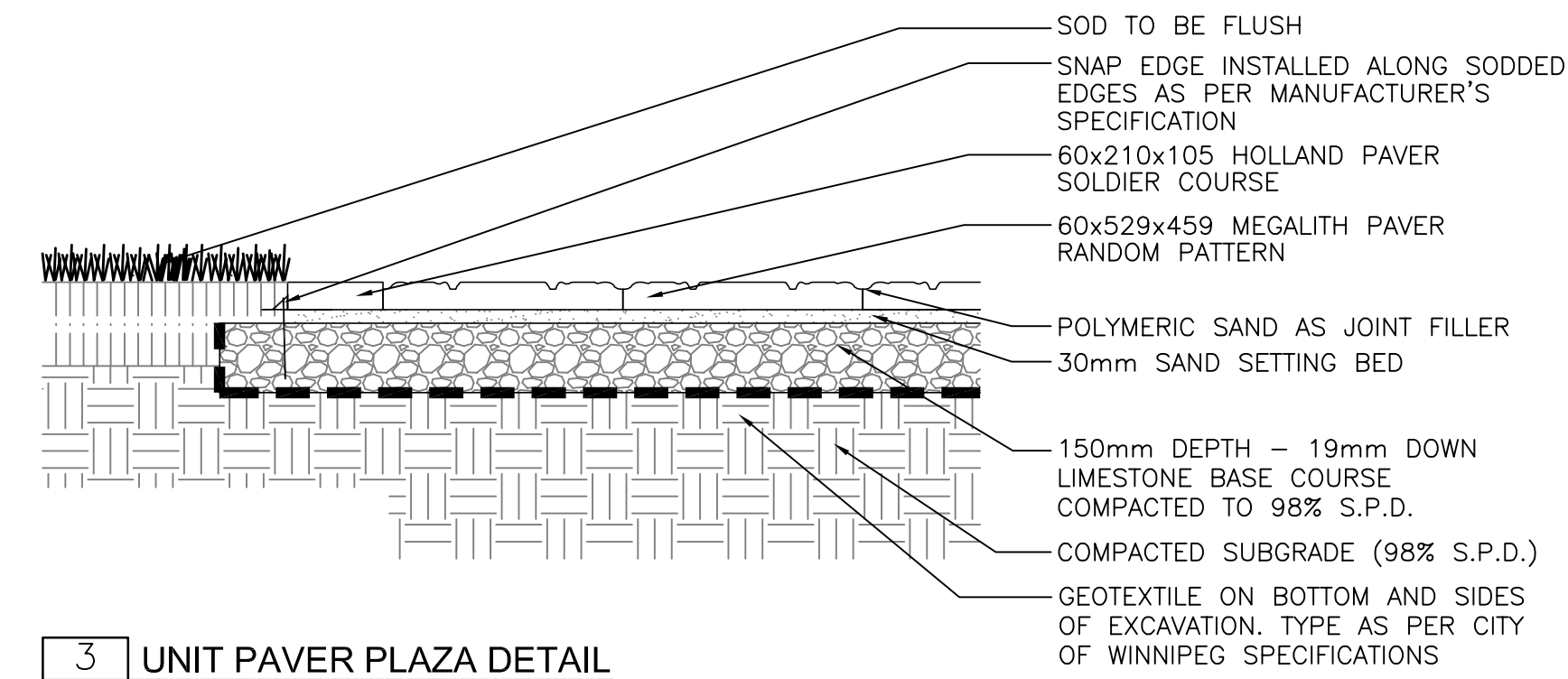


**1 CRUSHED LIMESTONE PATHWAY**  
L1.1 N.T.S.

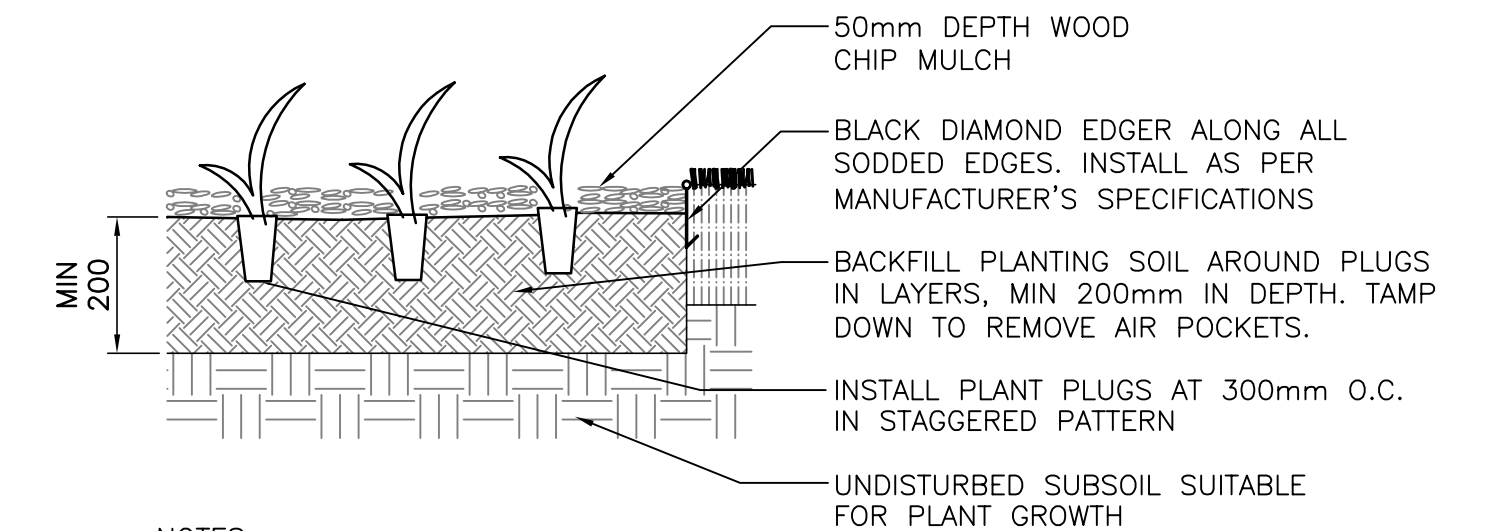
NOTE:  
- GRADE PATHWAY TO DRAIN:  
MAX. 2% CROSS SLOPE  
MAX. 5% LONGITUDINAL SLOPE  
WIDTH 3.0m



**2 REINFORCED CONCRETE SIDEWALK**  
L1.1 N.T.S.

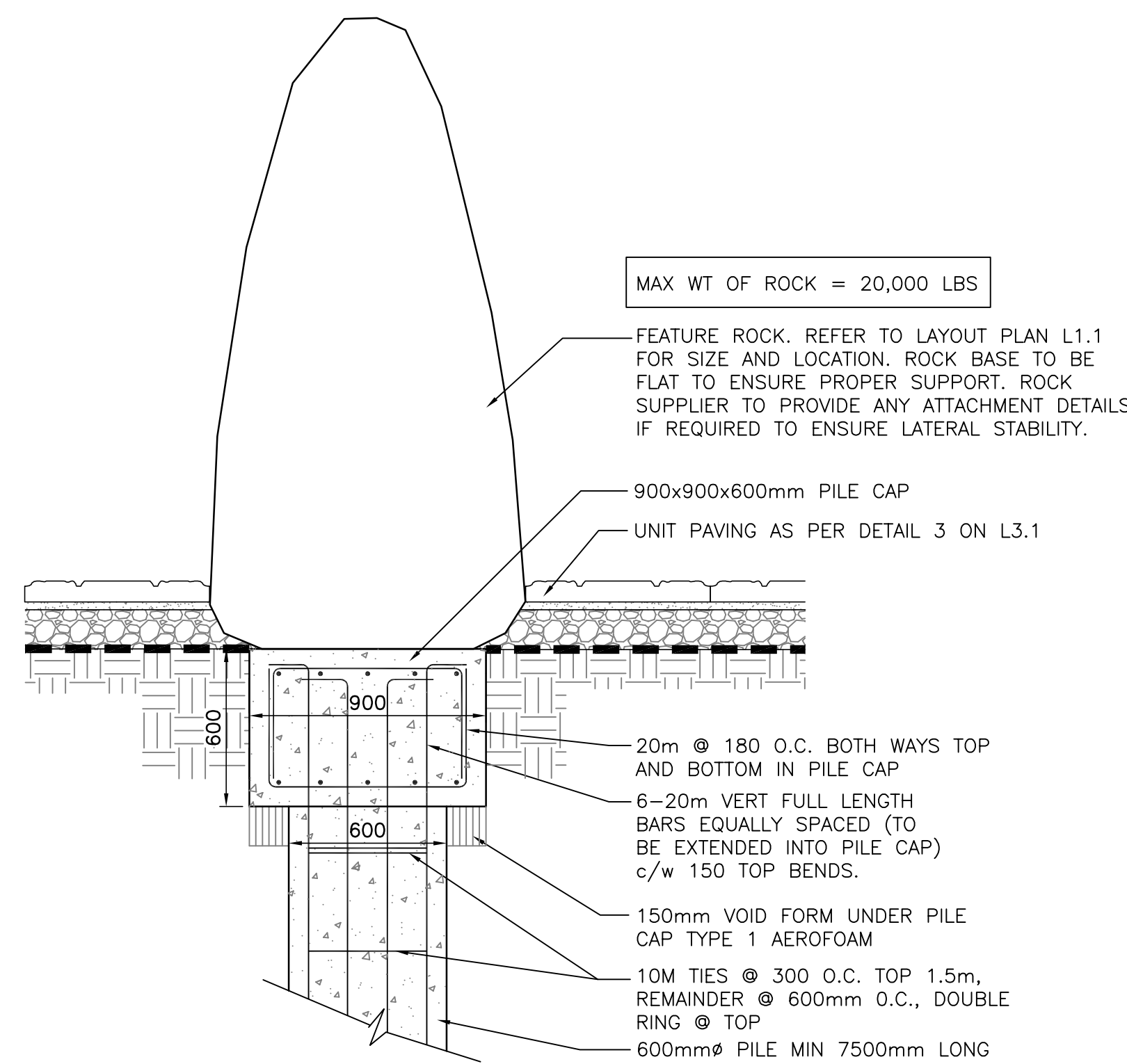


**3 UNIT PAVER PLAZA DETAIL**  
L1.1 N.T.S.



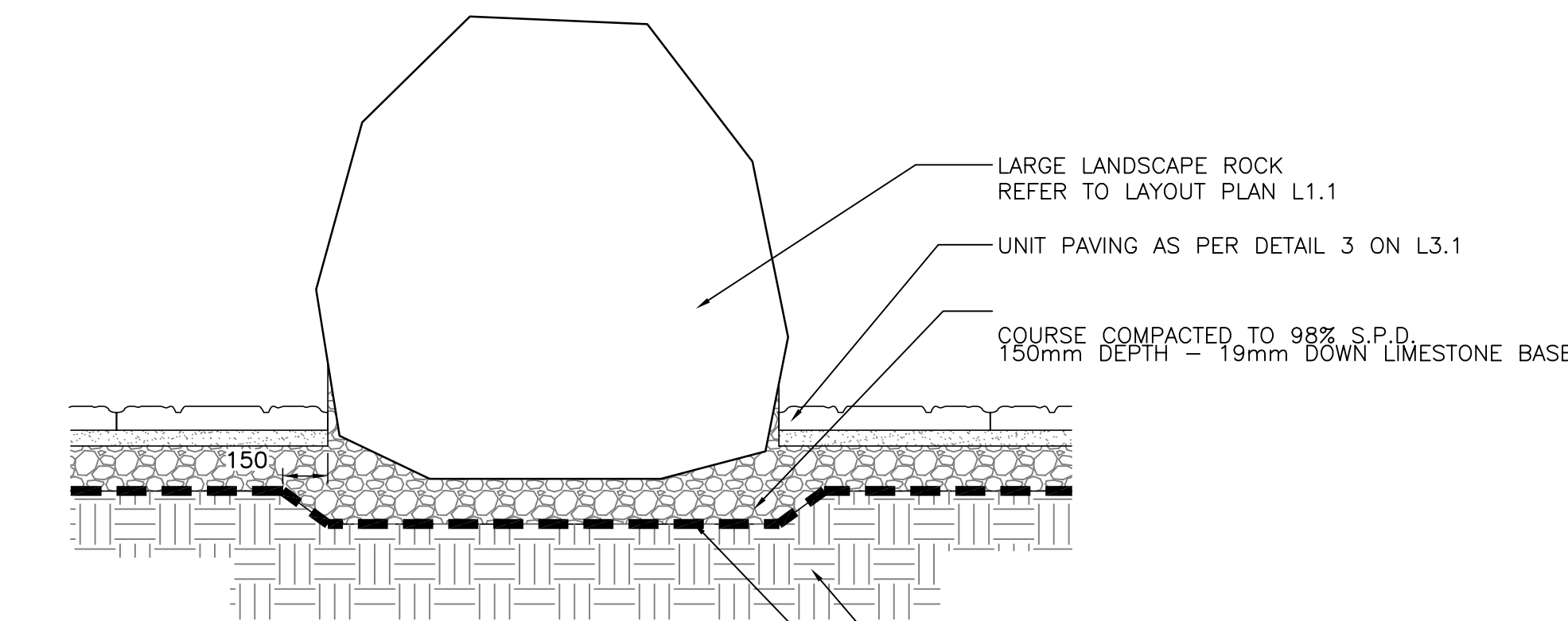
**4 PLANTING BED PREPARATION FOR NATIVE FORBE PLUGS**  
L1.1 N.T.S.

NOTES:  
1. BARK NUGGET MULCH TO BE SMALL 12-25mm PINE & SPRUCE BLEND FROM NORTHERN MANITOBA, OR APPROVED EQUAL IN COMMERCIAL GRADE BAGGED MULCH. ALL MULCH TO BE FREE OF BRANCHES AND DELETERIOUS MATERIALS.



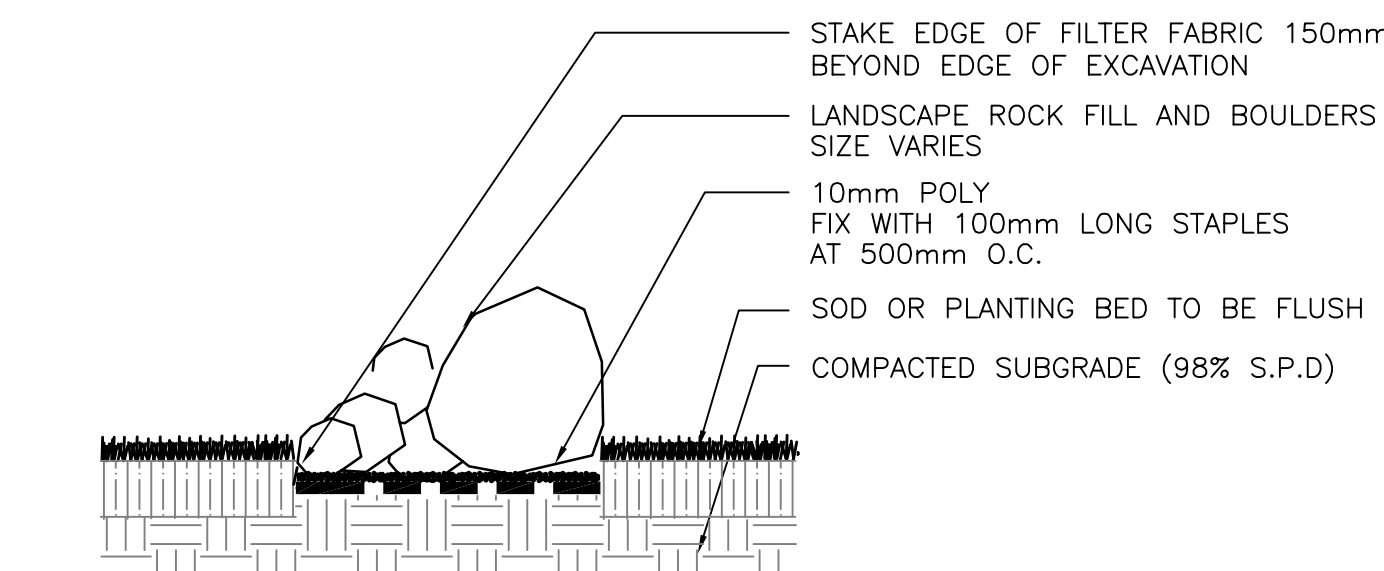
**5 FEATURE ROCK BASE DETAIL**  
L1.1 N.T.S.

MAX WT OF ROCK = 20,000 LBS  
FEATURE ROCK. REFER TO LAYOUT PLAN L1.1 FOR SIZE AND LOCATION. ROCK BASE TO BE FLAT TO ENSURE PROPER SUPPORT. ROCK SUPPLIER TO PROVIDE ANY ATTACHMENT DETAILS IF REQUIRED TO ENSURE LATERAL STABILITY.



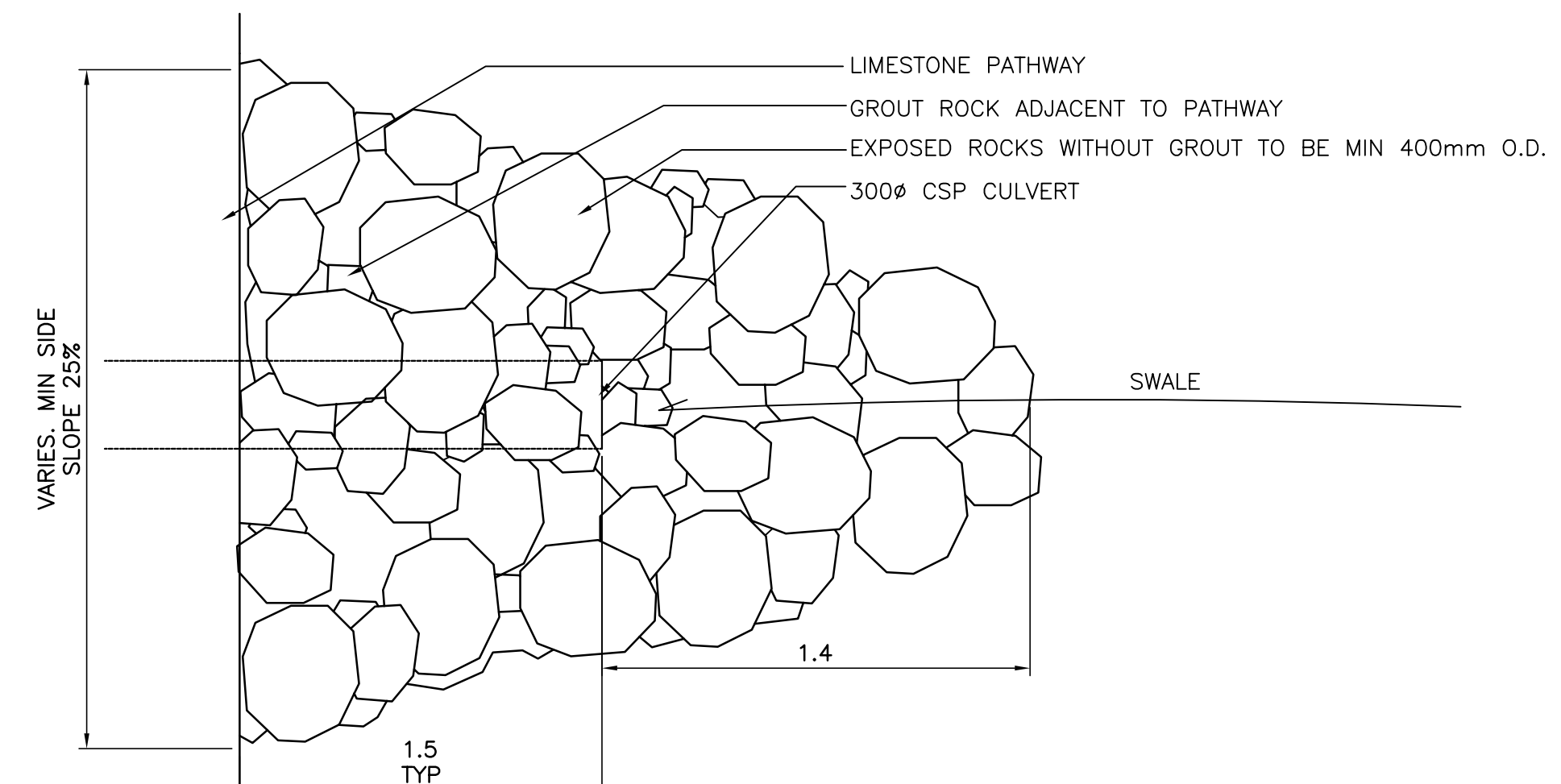
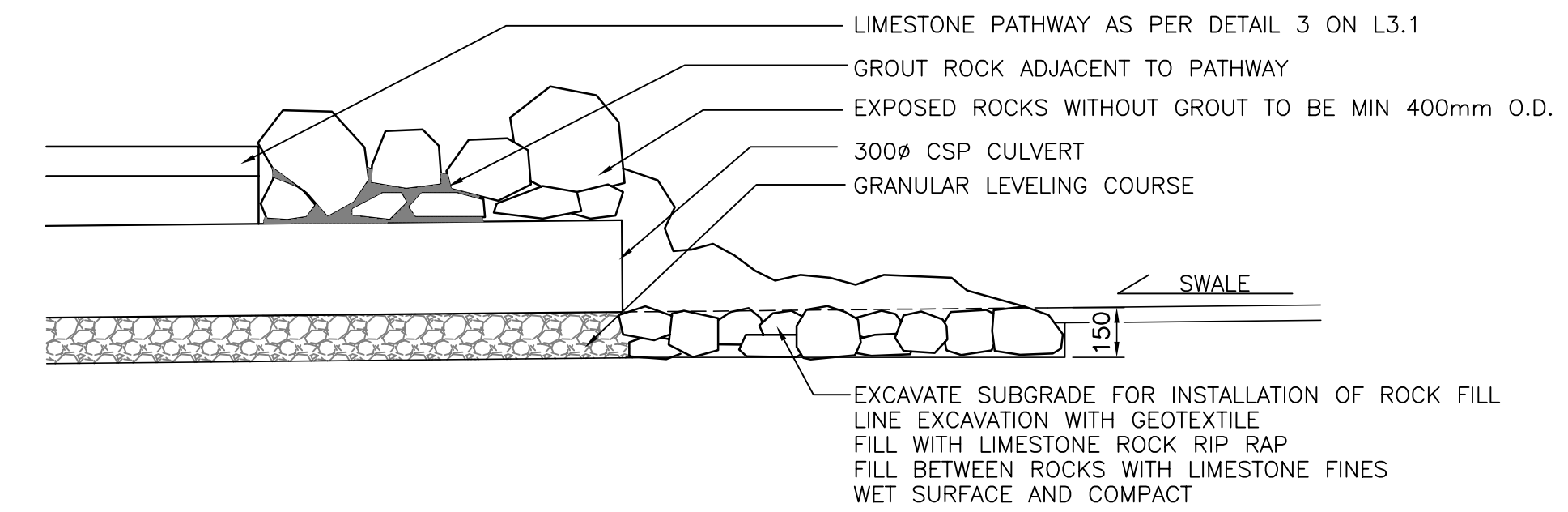
**6 LARGE LANDSCAPE ROCK BASE DETAIL**  
L1.1 N.T.S.

LARGE LANDSCAPE ROCK REFER TO LAYOUT PLAN L1.1  
UNIT PAVING AS PER DETAIL 3 ON L3.1  
COURSE COMPACTED TO 98% S.P.D.  
150mm DEPTH - 19mm DOWN LIMESTONE BASE  
COMPACTED SUBGRADE (98% S.P.D.)  
GEOTEXTILE ON BOTTOM AND SIDES OF EXCAVATION, TYPE AS PER CITY OF WINNIPEG SPECIFICATIONS

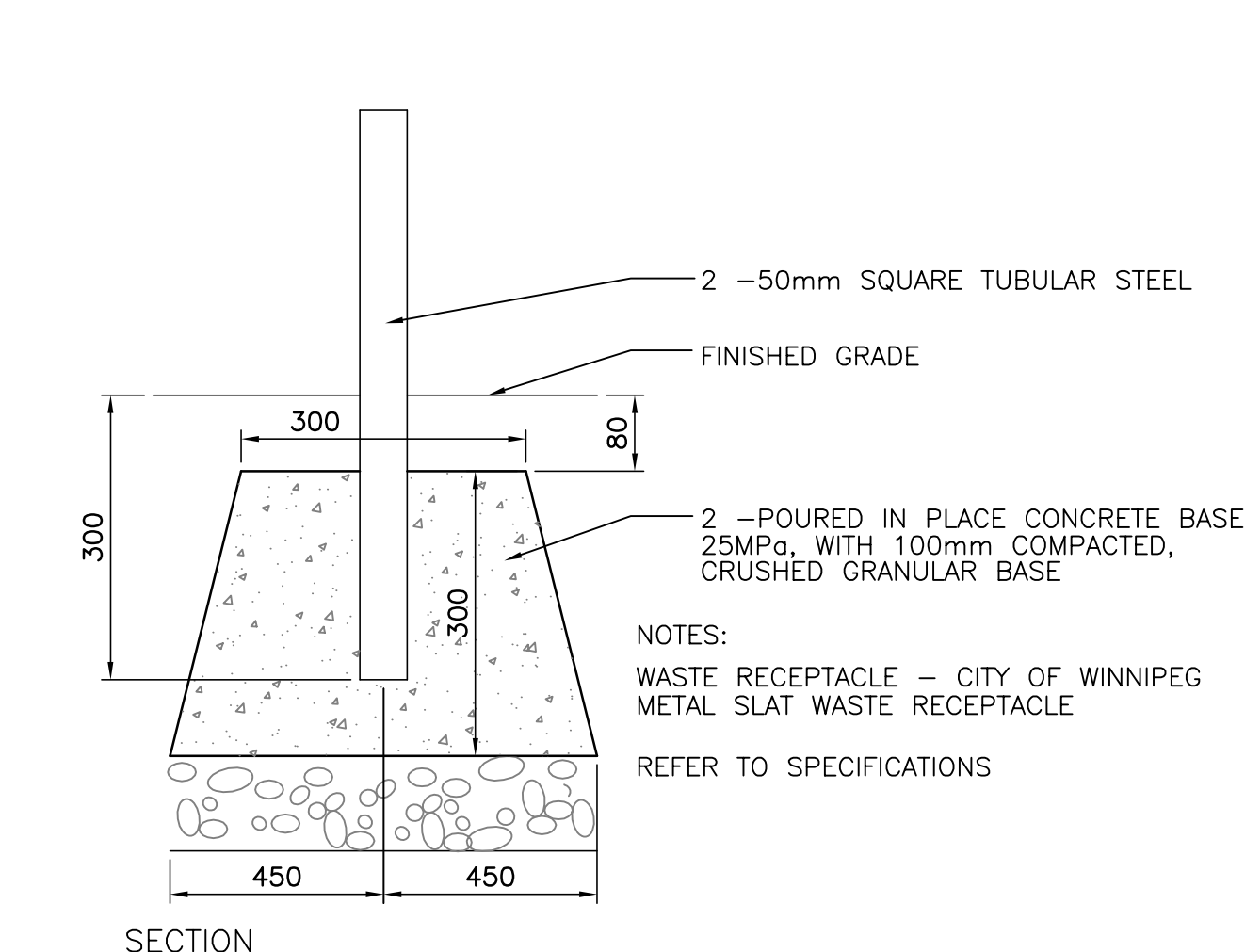


**7 LANDSCAPE ROCK BASE DETAIL**  
L1.1 N.T.S.

STAKE EDGE OF FILTER FABRIC 150mm BEYOND EDGE OF EXCAVATION  
LANDSCAPE ROCK FILL AND BOULDERS SIZE VARIES  
10mm POLY FIX WITH 100mm LONG STAPLES AT 500mm O.C.  
SOD OR PLANTING BED TO BE FLUSH  
COMPACTED SUBGRADE (98% S.P.D.)

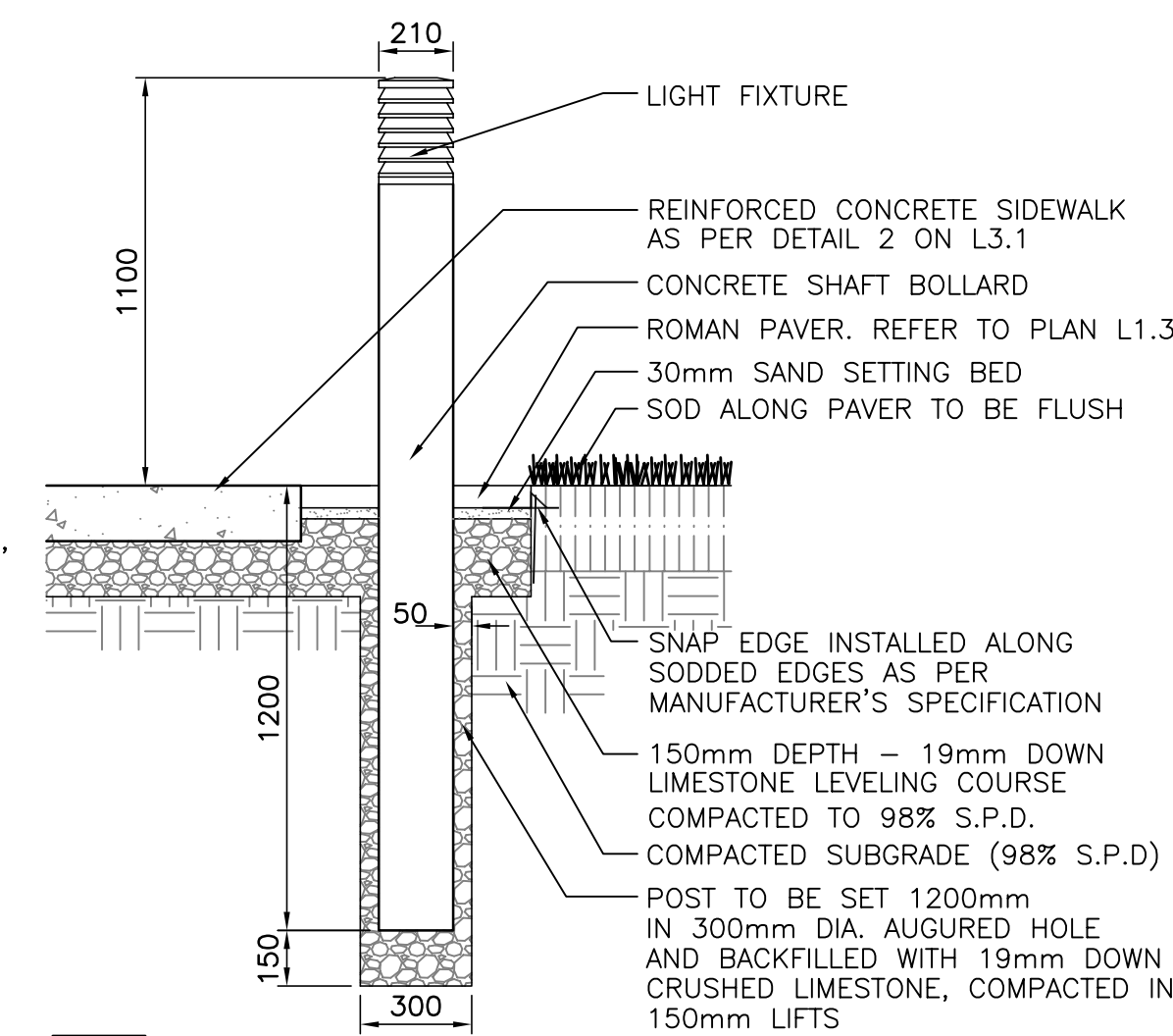


**8 TYPICAL CSP CULVERT**  
L1.1 N.T.S.

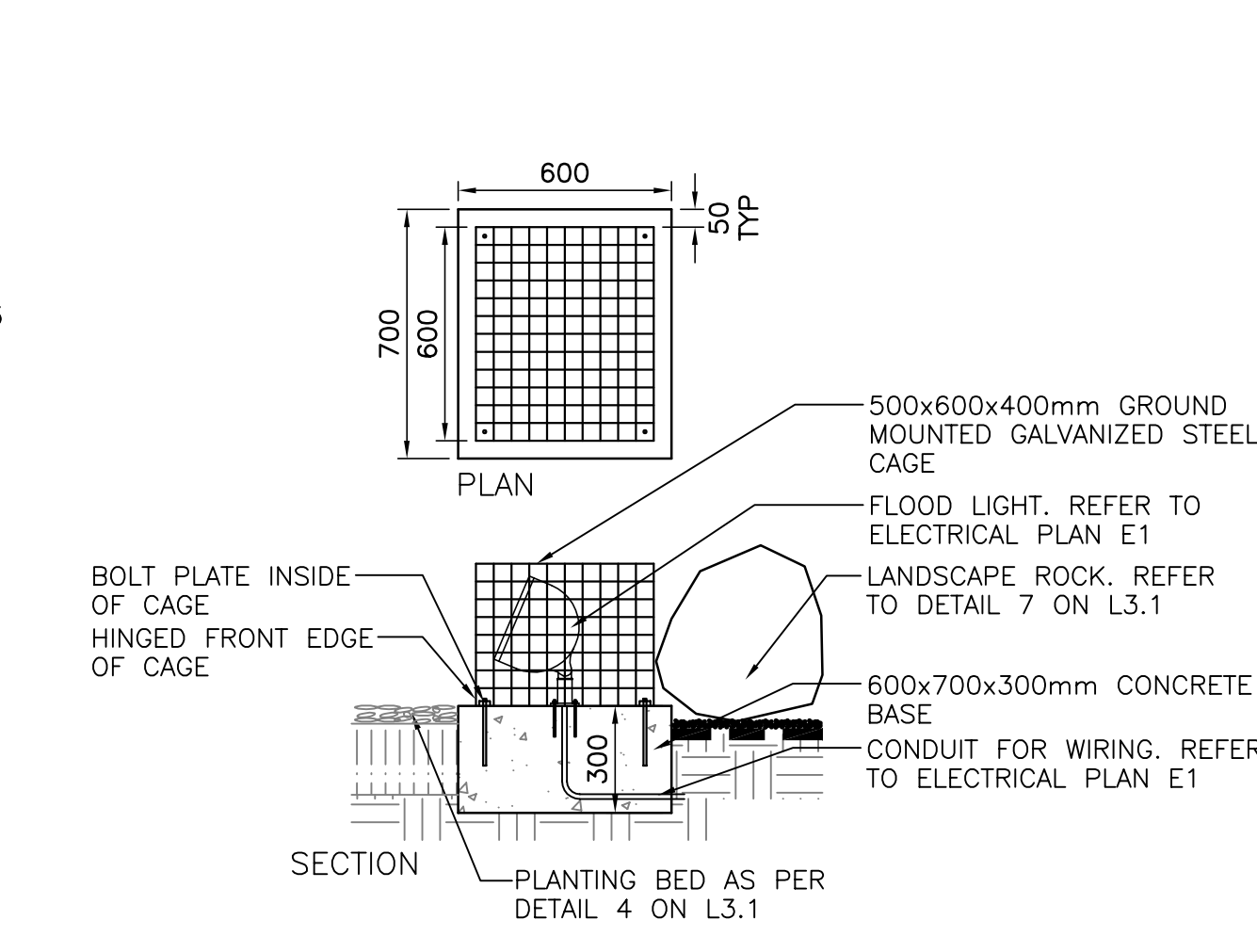


**9 CONCRETE FOOTING FOR WASTE RECEPTACLES**  
L1.1 N.T.S.

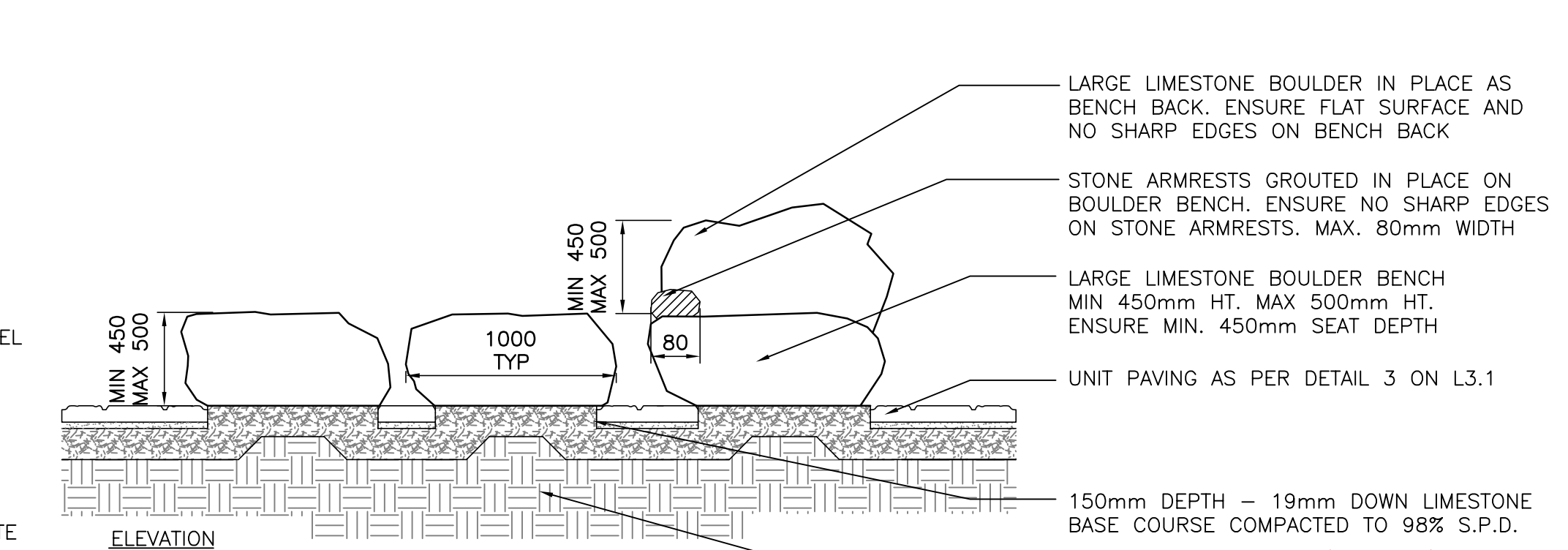
NOTES:  
WASTE RECEPTACLE - CITY OF WINNIPEG METAL SLAT WASTE RECEPTACLE  
REFER TO SPECIFICATIONS



**10 BOLLARD SIDEWALK LIGHTING INSTALLATION DETAIL**  
L1.1 N.T.S.



**11 FLOOD LIGHT BASE DETAIL**  
L1.1 N.T.S.



NOTES:  
BENCHES TO BE PLACED ON SITE TO SATISFACTION OF CONTRACT ADMINISTRATOR  
STONE ARMREST TO BE LOCATED, SHAPED AND GROUTED IN PLACE TO SATISFACTION OF CONTRACT ADMINISTRATOR. ARMREST HEIGHT TO MEET CITY OF WINNIPEG ACCESSIBILITY STANDARDS

**12 ROCK BENCH**  
L1.1 N.T.S.

08.167  
K.N.H. SAWATZKY  
Professional Engineer  
Certificate of Authorization  
K.N.H. Sawatzky & Associates Ltd.  
No. 1193 Date: MAR 28 2008  
FEATURE ROCK DETAIL ONLY  
CONTACT THE ENGINEER AT 947-2550  
TO CO-ORDINATE INSPECTIONS

ISSUED FOR TENDER	04/04/08	AH
ISSUED FOR PERMITS	04/01/08	AH
Scale	NTS	
14-03-08	NTS	
Designed By	Drawn By	Checked By
PR	PR	SR



CITY OF WINNIPEG  
Project Title  
**ELZEAR GOULET  
MEMORIAL PARK  
755 TACHE**

Sheet Title  
**DETAILS**

Project No. 07-050 Drawing No. L3.1