

Plan view


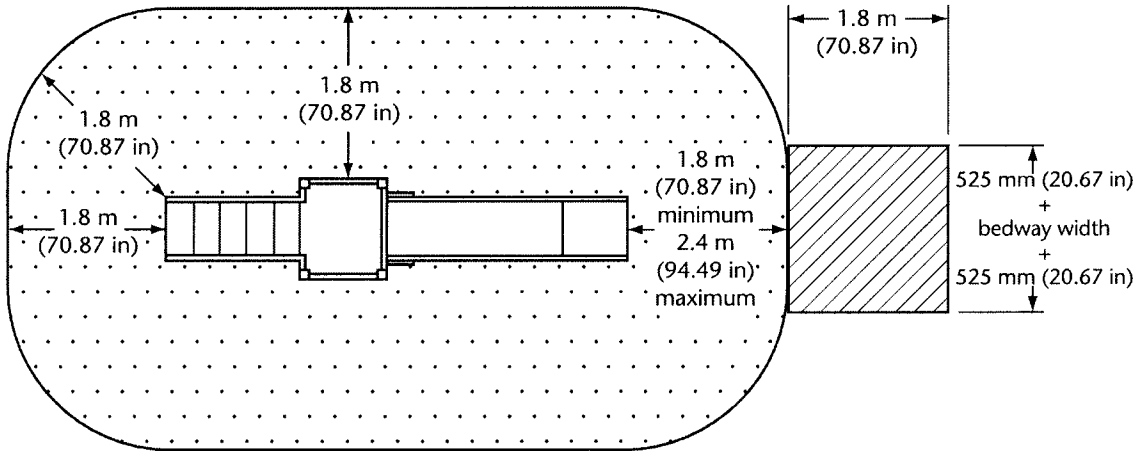

 Protective surfacing zone

Figure 30
Protective surfacing zone for independent slides
with platform heights of 1.2 m (47.24 in) or less



 Protective surfacing zone


 No-encroachment zone

Figure 31
Protective surfacing and no-encroachment zones for independent
slides with platform heights greater than 1.2 m (47.24 in)