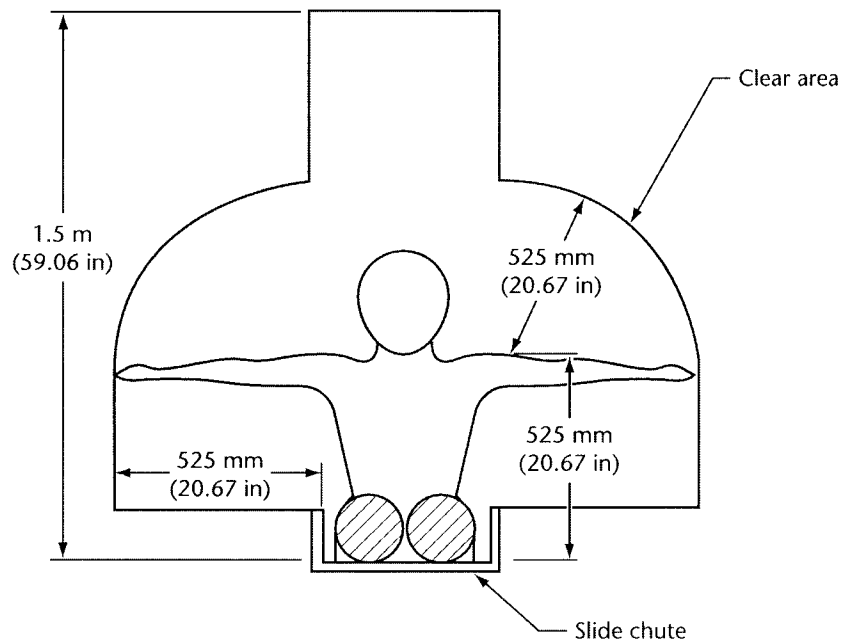


**Note:** If the elevation is more than 1.2 m (47.24 in), the exit height shall be between 175 and 380 mm (6.89 and 14.96 in). If the elevation is less than 1.2 m (47.24 in), the exit height shall be not less than the finished grade and not greater than 275 mm (10.83 in).

**Figure 39**  
**Height of the exit region**



**Figure 40**  
**Slide clearance**