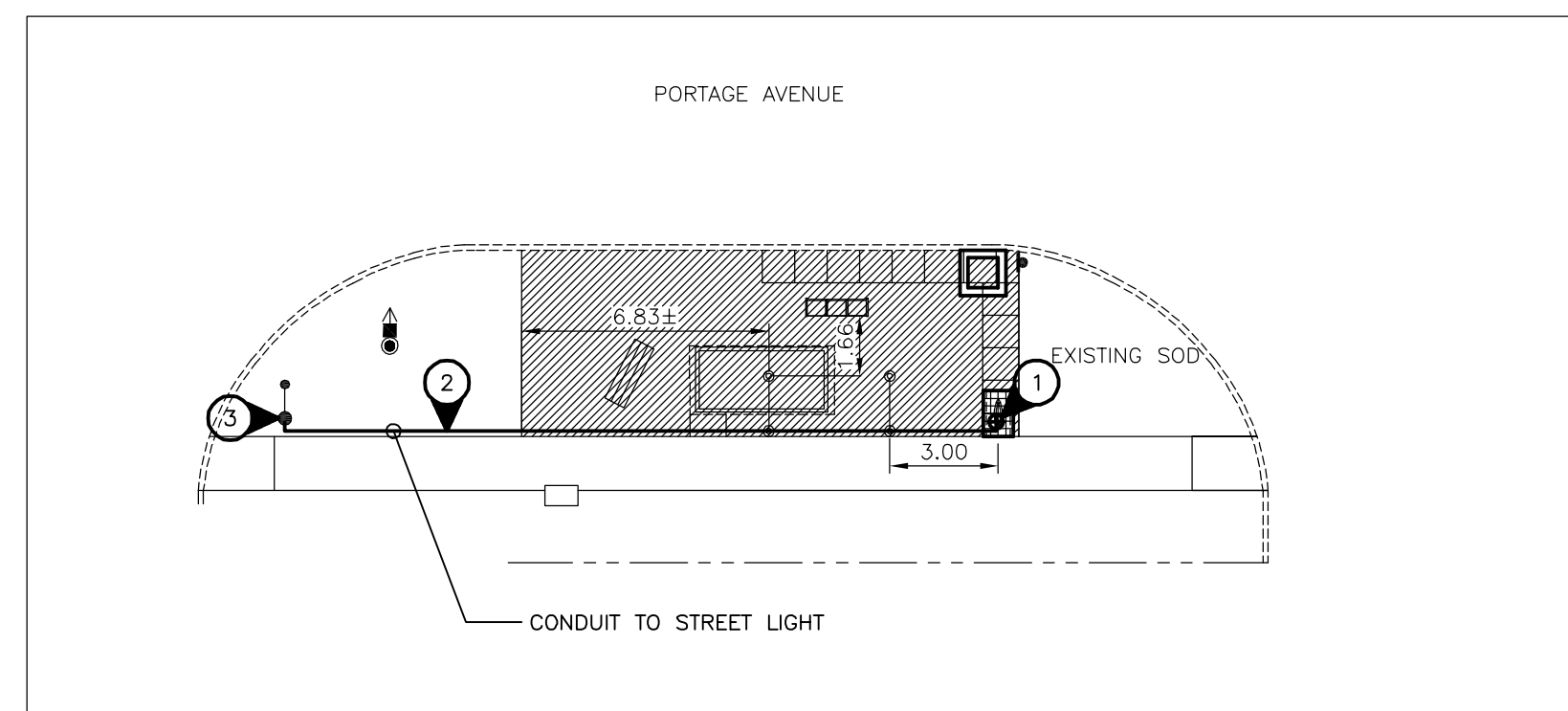
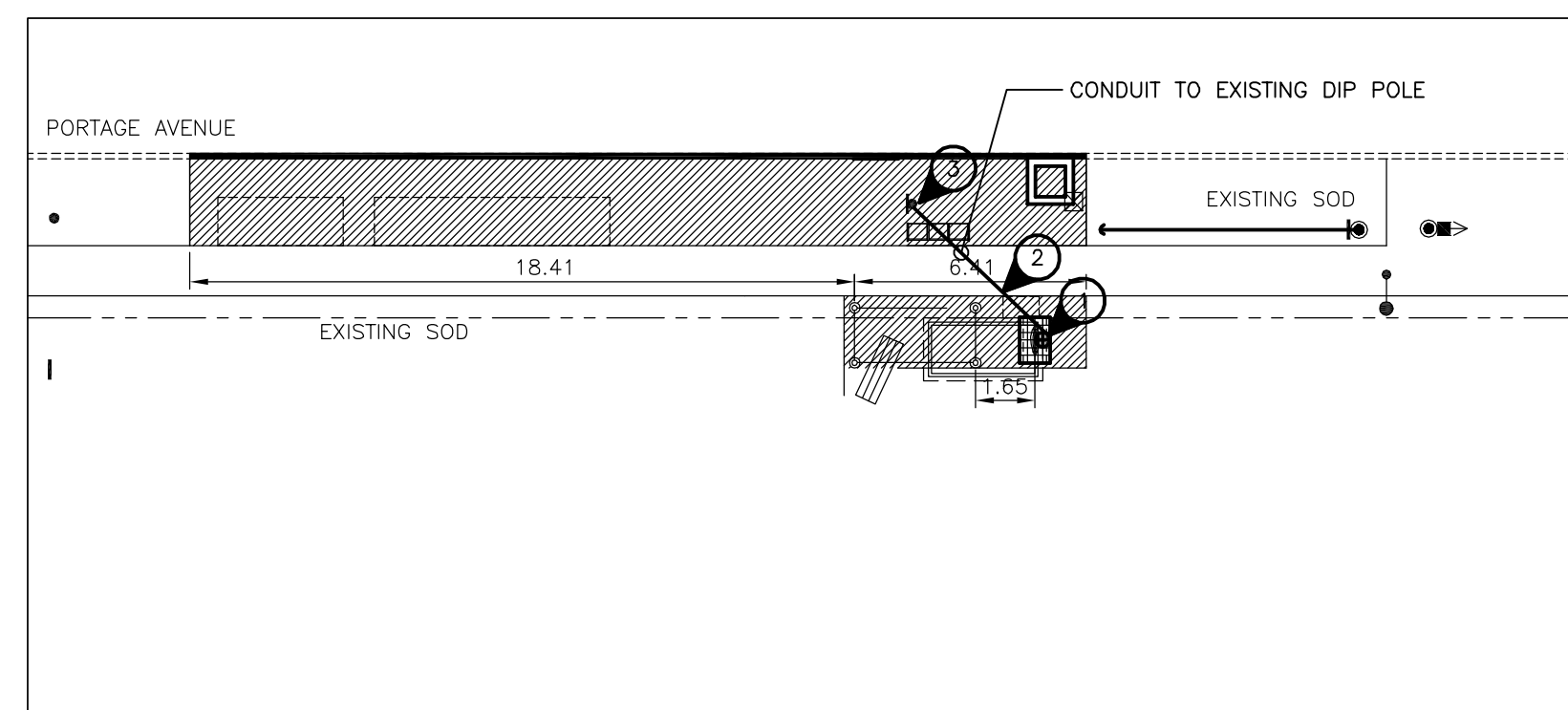


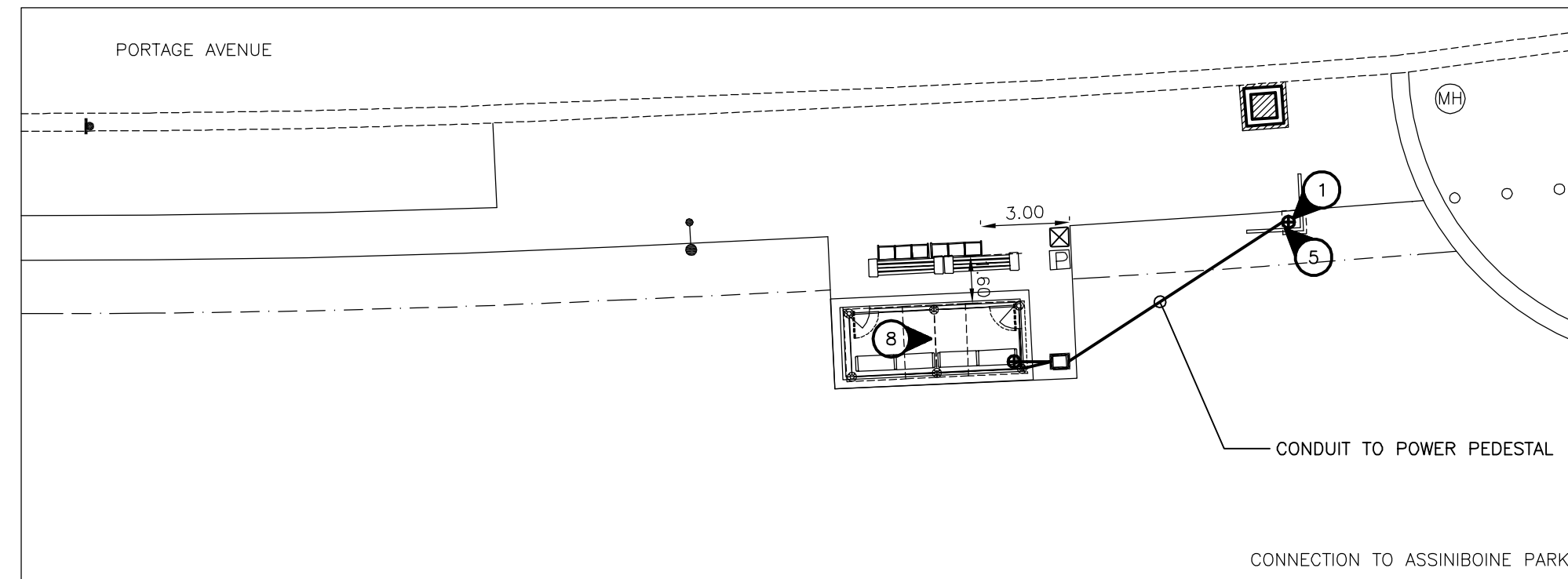
Eastbound Portage, N/S Bedson
Stop 20252 Bedson



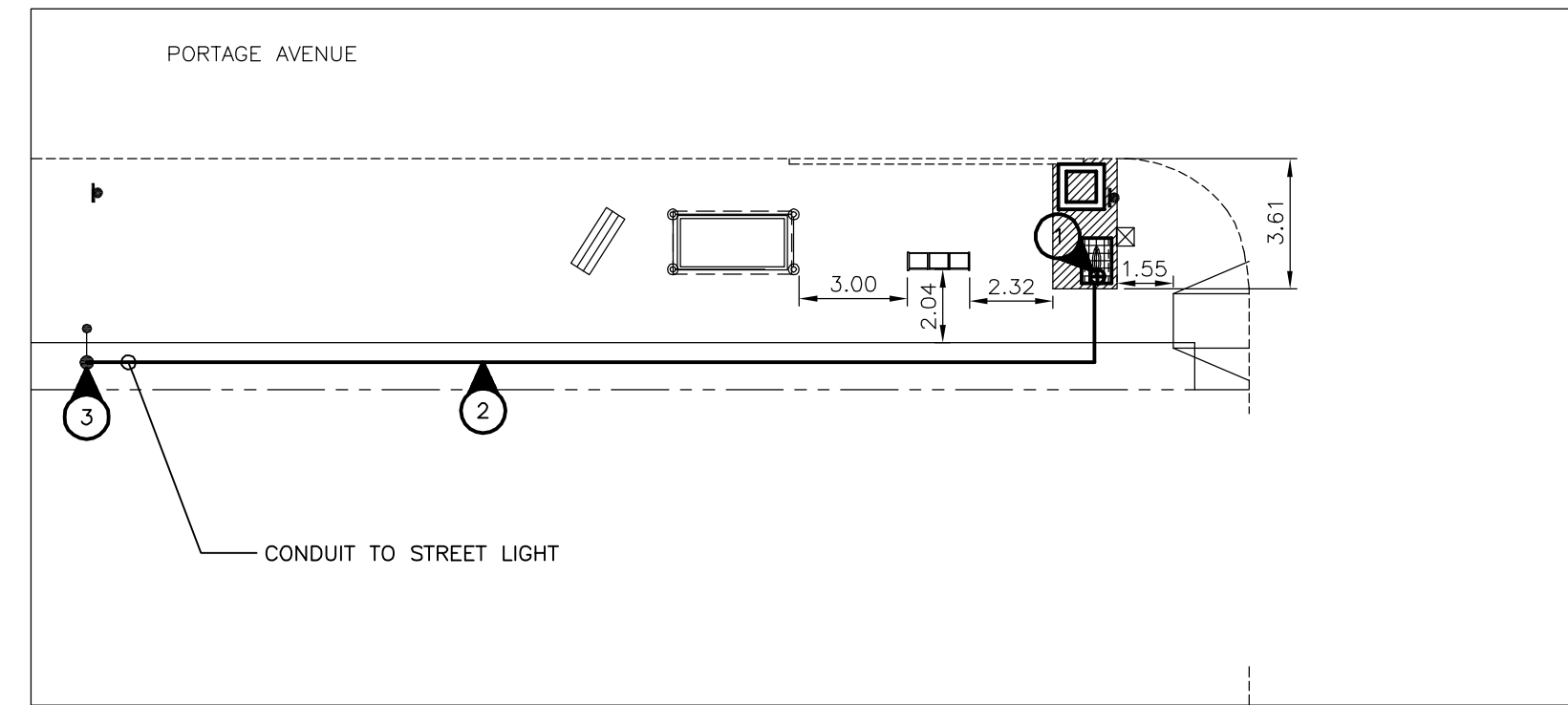
Eastbound Portage, F/S Westwood
Stop 20239 Westwood



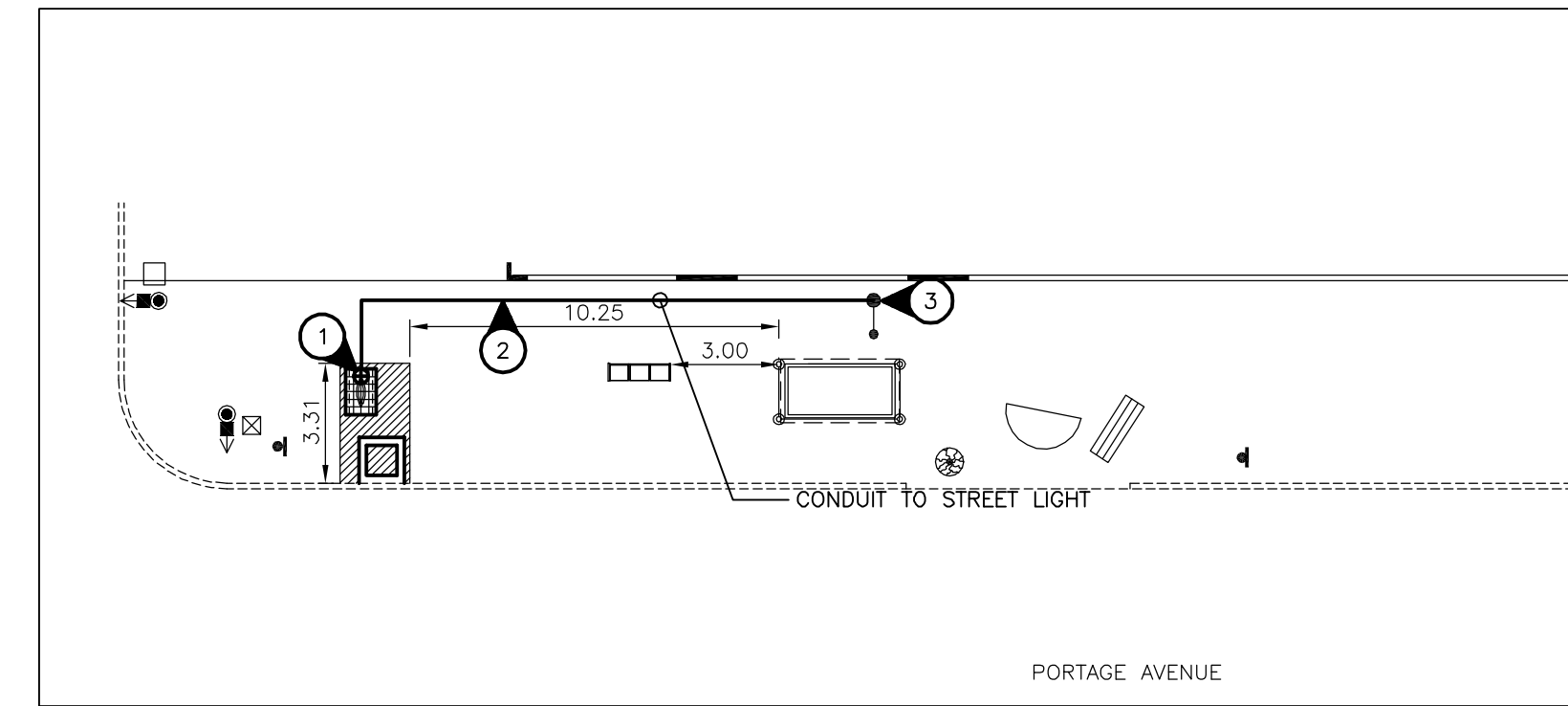
Eastbound Portage, N/S Woodhaven
Stop 20264 Woodhaven



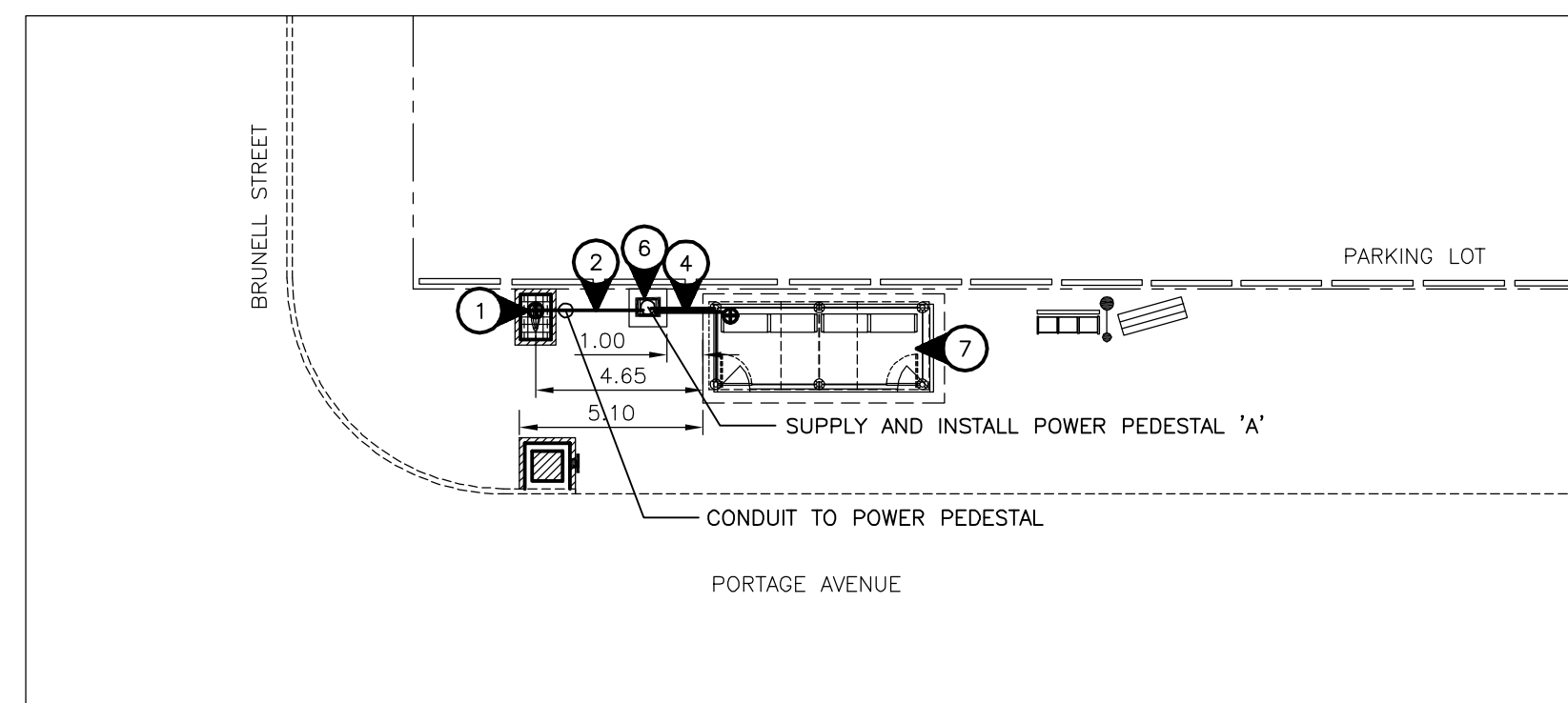
Eastbound Portage, N/S Opp Overdale
Stop 20418 Overdale



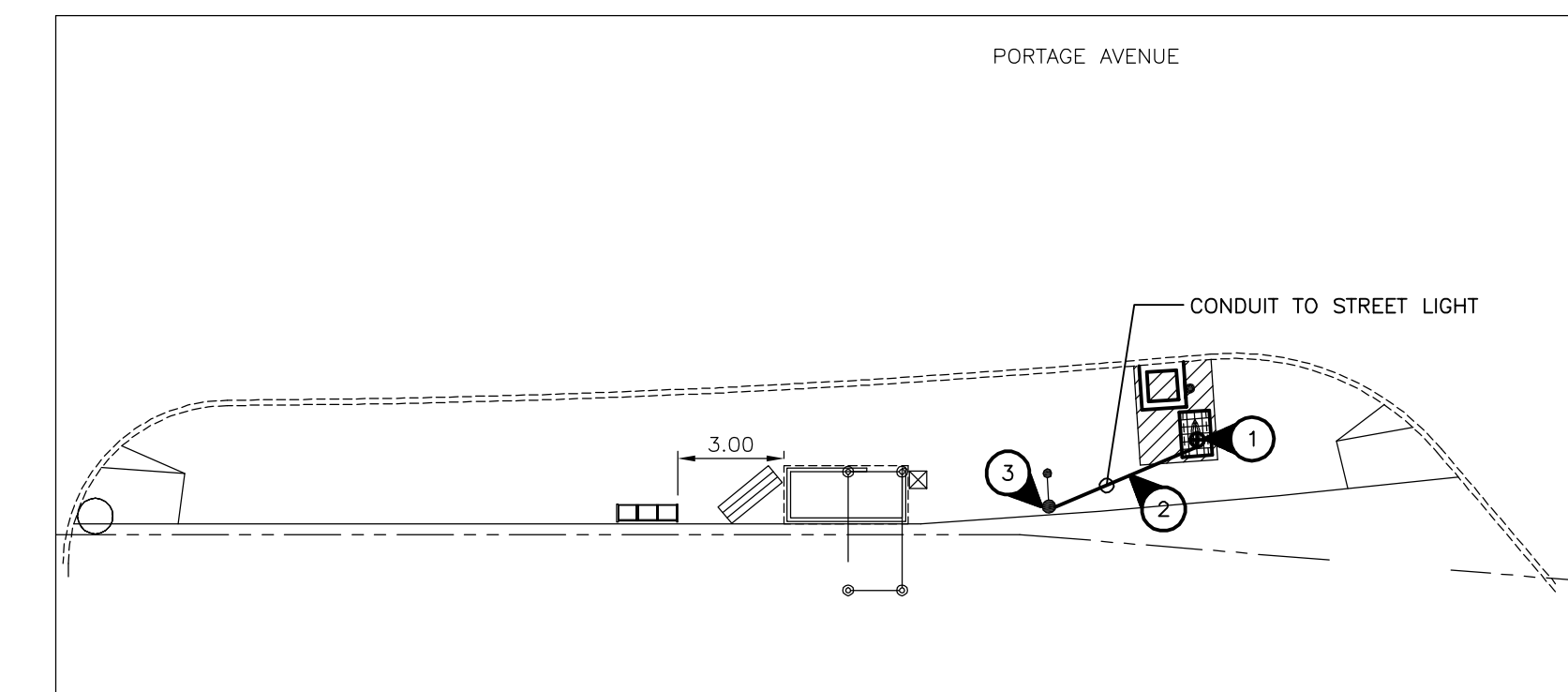
Eastbound Portage, N/S Cavell
Stop 20288 Cavell



Westbound Portage, N/S Berry
Stop 20205 Berry



Westbound Portage, N/S Burnell
Stop 10552 Burnell



Eastbound Portage, F/S Opp Ainslie
Stop 20268 Ainslie



Electrical Specification

- Scope of Work – The contract shall include the furnishing of labour, new material, equipment and services necessary and reasonably implied and incidental to the complete installation of the electrical work shown on the plans and specifications. Supply and install all devices required for the complete approved system, operating to the complete satisfaction of the Contract Administrator.
- Laws, Rules, Ordinances and Inspections – The entire electrical installation shall comply with the latest edition of the Canadian Electrical Code and with all provincial and municipal laws, rules and ordinances. Prepare and submit to the proper authorities all necessary permits and pay all permit fees.
- Responsibility – Be responsible for any damage caused The City or their contractors by improperly carrying out this contract.
- Drawings – The Contractor shall carefully examine all drawings relating to the work, to be certain that the work under this contract can be carried out and, prior to the submission of his/her Bid, report at once to the Contract Administrator any defect, discrepancy, omission or interference affecting the work of this section or the guarantee of same.
- Identification – Install designatory lettering on all electrical equipment.
- Guarantee – The Contractor shall guarantee the satisfactory operation of all work and apparatus included and installed under this section for a period of twelve (12) calendar months after the final acceptance of the complete building.
- Existing Work – The Contractor shall take into account items which he/she is responsible for due to the changes and alterations to the existing site and allow for such items that may occur in his/her Bid price.
- Minimum wire size #12 AWG all wiring to be copper.
- All new distribution equipment is to be weather-proof, vandal-resistant. All new circuit breakers provided for existing panelboards are to match existing.
- Identify all existing underground plant and utilities. Repair any damage to existing underground plant and utilities caused during installation of electrical equipment wiring and bases.
- Provide trenching, and backfilling and surface repair.

SPECIFIC ELECTRICAL NOTES

- WIRE & CONNECT ILLUMINATED TRANSIT SIGN AS REQUIRED. COORDINATE EXACT LOCATION AND REQUIREMENTS WITH SIGNAGE SUPPLIER.
- BURIED 2 #12 RWJ-90 CU AND GROUND IN A 25mm RIGID PVC CONDUIT. PROVIDE TRENCHING, BACKFILLING AND SURFACE REPAIR AS REQUIRED. PUSH BELOW SURFACE WHERE PRACTICAL. PURCHASE CONDUIT FROM MB HYDRO.
- CONNECT NEW SIGN TO EXISTING STREET LIGHT/SERVICE POLE INDICATED. PROVIDE A 15A-2P WEATHER-PROOF SERVICE ENTRANCE RATED DISCONNECT AT SIGN (240V-1PH). FPE RH 102-2.
- 2#12 AND 4#10 RWJ90 CU AND GROUND IN A 32MM RIGID PVC CONDUIT.
- DISCONNECT EXISTING ILLUMINATED SIGN AND PROTECT WIRES FOR REINSTALLATION. CONNECT NEW SIGN FOLLOWING INSTALLATION.
- CONNECT NEW SIGN AND TRANSIT SHELTER LIGHTING AND HEATING CIRCUITS TO NEW POWER PEDESTAL 'A'. SEE DETAIL THIS DRAWING. CONNECT NEW PEDESTAL TO MB HYDRO OVERHEAD SERVICE POINT WITH 3#6 RWJ90 CU IN 25MM RIGID PVC CONDUIT. PAY UTILITY CONTRIBUTION CHARGES.
- DISCONNECT EXISTING HEATED SHELTER AND METER.
- DISCONNECT EXISTING HEATED SHELTER AND PROTECT WIRES FOR REINSTALLATION. EXISTING WIRING AND C.B.'S MAY BE REUSED IF IN GOOD CONDITION AND SIZED CORRECTLY FOR NEW LOADS. CONNECT NEW SHELTER FOLLOWING INSTALLATION.

GENERAL ELECTRICAL NOTES

- INSTALL JUNCTION BOX IN SHELTER TO PROVIDE POWER FOR LIGHTING AND HEATING CIRCUITS.
- LABEL ELECTRICAL CIRCUIT AND DEVICES WITH LAMACOID PLATES.
- LOCATE ALL EXISTING U/G SERVICES PRIOR TO TRENCHING.
- MINIMUM WIRE SIZE #12.
- CONFIRM ALL POWER CONNECTION POINTS WITH ASSOCIATED UTILITY/THE CITY.

NOTES

- CONTRACTOR TO VERIFY LOCATION OF ALL UTILITIES WITH UTILITY COMPANY PRIOR TO CONSTRUCTION.
- LOCATIONS OF SIGNS AND PAVING ARE APPROXIMATE. CONTRACTOR TO LAYOUT ALL WORKS FOR APPROVAL BY CONTRACT ADMINISTRATOR AND WINNIPEG TRANSIT PRIOR TO REMOVALS AND ADJUST LOCATIONS AS DIRECTED.
- NOT USED.
- ALL DIMENSION ARE IN METRIC UNLESS OTHERWISE NOTED. DECIMAL NUMBERS INDICATE METRES AND WHOLE NUMBERS INDICATED MILLIMETRES.
- CONFIRM ALL DIMENSIONS ON SITE AND REPORT ANY DISCREPANCIES TO CONTRACT ADMINISTRATOR PRIOR TO ANY EXCAVATION OR CONSTRUCTION.
- CONTRACTOR TO PROTECT ALL TREES, POLES, CURBS, AREAWAYS ETC. TO REMAIN TO CITY OF WINNIPEG STANDARDS.
- CONTRACTOR IS RESPONSIBLE FOR ALL REMOVALS AS REQUIRED TO CONSTRUCT ALL WORKS AS SHOWN ON PLANS AND DETAILS. ALL ITEMS TO BE REMOVED MUST BE DISPOSED OF LEGALLY OFF SITE. ALL REUSABLE PAVING STONE TO BE STOCKPILED IN A SECURE LOCATION FOR REINSTALLATION OR DELIVERY TO STREETS & TRANSPORTATION.
- WHERE CONTRACTOR IS REPAIRING EXISTING SURFACE MATERIALS, ALL BASE COURSES TO MATCH EXISTING CONDITION.
- CONTRACTOR TO REPAIR AT HIS OWN COST ANY DAMAGE DONE DURING CONSTRUCTION TO CITY OR ADJACENT PROPERTIES TO C.O.W. STANDARDS.
- COORDINATION NOTES:
 - ELECTRICAL
 - CONTRACTOR TO COORDINATE WITH GENERAL CONTRACTOR FOR DISCONNECT OF SIGNS AND SHELTERS PRIOR TO REMOVAL OF ANY BASES.
 - SIGNS
 - CONTRACTOR TO SUPPLY AND INSTALL ALL CONDUIT FOR ELECTRICAL WIRING IN TOTEM AND ILLUMINATED SIGN BASES TO POWER SOURCE. CONFIRM CONNECTION LOCATIONS WITH SIGN MANUFACTURER PRIOR TO INSTALLATION.
 - SHELTERS
 - CONTRACTOR TO INSTALL SHELTER BASES C/W ALL CONDUIT AS REQUIRED FOR HEATING AND LIGHTING LINES.
- REFER ALSO TO WRITTEN SPECIFICATIONS.

No.	Revisions	Date	By
04-08-08	Scale	1:200	
Designed By	DZ/SL	Drawn By	SL
		Checked By	VJT



Client

WINNIPEG TRANSIT
Project Title

**BUS STOP UPGRADE
PROGRAM PHASE 3
ELECTRICAL WORKS**

Sheet Title
**PORTAGE AVENUE STOPS
LAYOUT PLANS 1 OF 2**

Project No. 28-090 Drawing No. E-1

NOVA 3 ENGINEERING LTD.
CONSULTING ENGINEERS

201-120 FORT STREET TEL.: (204) 943-6142
WINNIPEG, MANITOBA FAX.: (204) 942-1276
R3C 1C7 JN: 28-090

THIS DRAWING IS THE EXCLUSIVE PROPERTY OF NOVA 3 ENGINEERING LTD. AND MAY ONLY BE REPRODUCED WITH THE WRITTEN PERMISSION OF NOVA 3 ENGINEERING LTD. THE CONCEPT AND DESIGN INCORPORATED INTO THIS DRAWING ARE BASED ON INFORMATION PROVIDED BY THE CLIENT AND OTHER RELATED SOURCES. PROFESSIONAL ENGINEER ACCEPTS NO RESPONSIBILITY FOR DRAWING AND DESIGN UNLESS DRAWING IS ACCOMPANIED BY ORIGINAL SEALED AND SIGNED LETTER OF INTENT AND CERTIFICATE OF INSPECTION. REFER TO WWW.NOVA3.CA FOR CAUTIONARY NOTES.