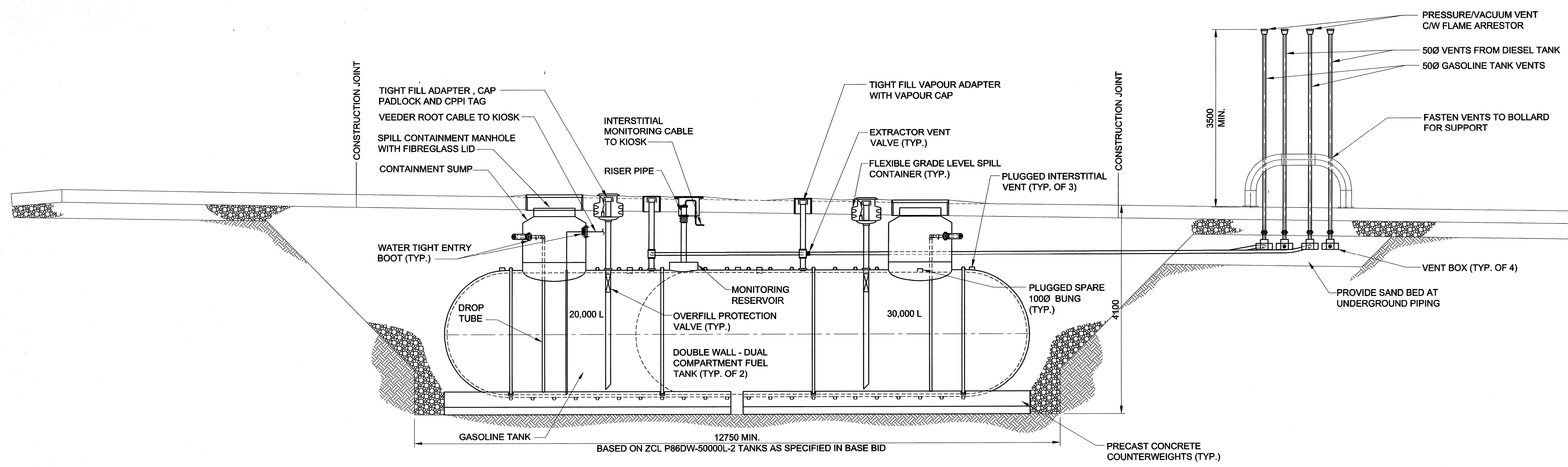


SECTION A
SCALE 1:50
01-M-0003



SECTION B
SCALE 1:50
01-M-0003

PROFESSIONAL SEALS

PRELIMINARY
NOT FOR CONSTRUCTION
Date: 2008/04/21

C	08/04/21	Issued For Bid	RA	ALS	RBT	CC	BP	-
B	08/04/07	Issued For Review	RS	ALS	RBT	CC	BP	-
A	08/03/07	Issued For Review	ALS	RS	RBT	CC	BP	-
1/R	YY/MM/DD	ISSUE/REVISION DESCRIPTION	DRN	CHK	DES	ENG	IDR	APP

UMA | AECOM

City of Winnipeg
Construction of a New Fueling Facility
District 6 Public Works Yard, 1539 Waverley St.
Sections

PROJECT NUMBER	DRAWING NUMBER	ISSUE/REVISION
0265-405-00	01-M-0004	C

DO NOT SCALE THIS DOCUMENT.
ALL MEASUREMENTS MUST BE OBTAINED FROM STATED DIMENSIONS.
© 2008 UMA ENGINEERING LTD. ALL RIGHTS RESERVED.
THIS DOCUMENT IS PROTECTED BY COPYRIGHT LAW AND MAY NOT BE REPRODUCED
IN ANY MANNER, OR FOR ANY PURPOSE EXCEPT BY THE WRITTEN PERMISSION OF
UMA ENGINEERING LTD.