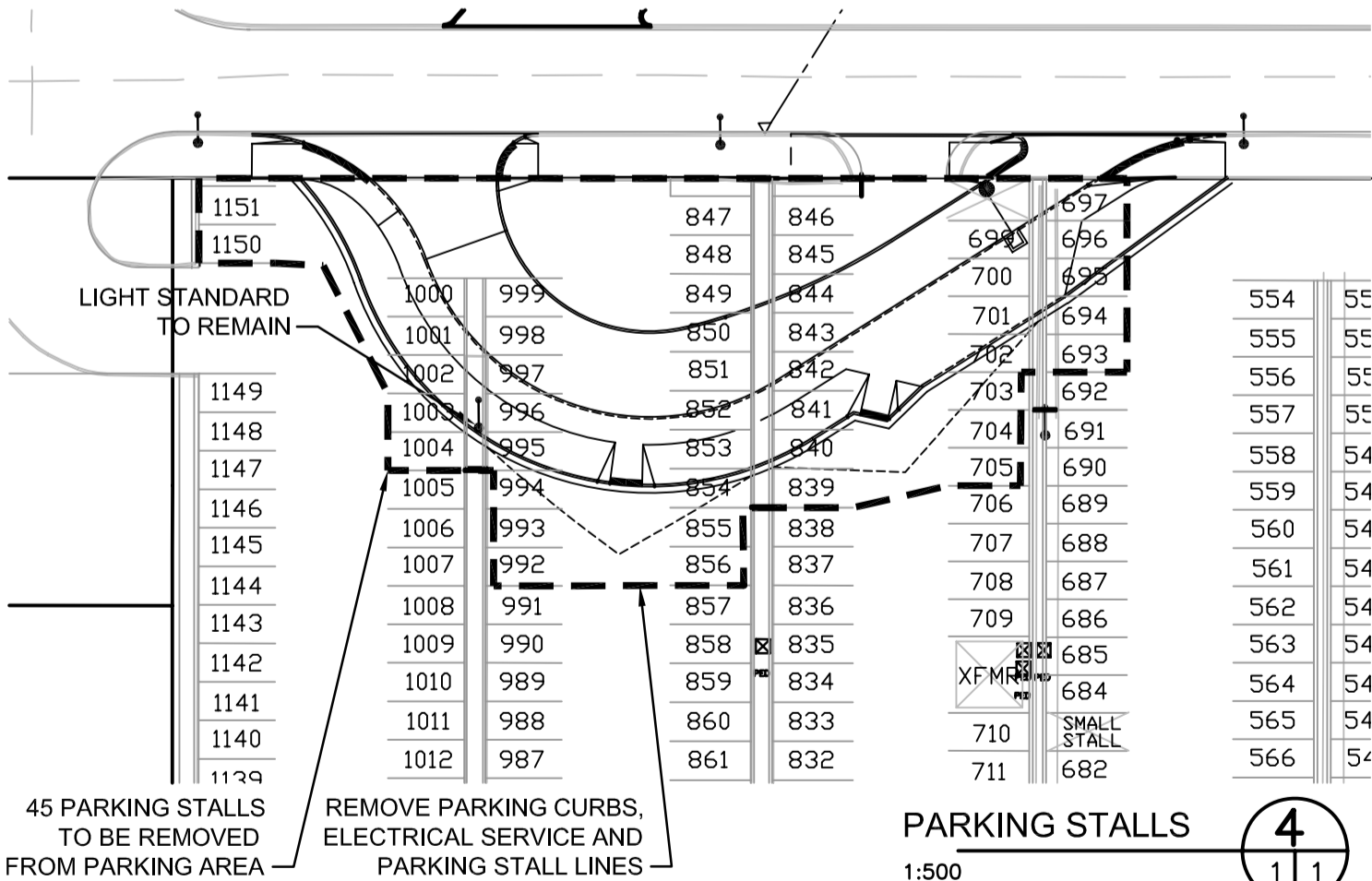
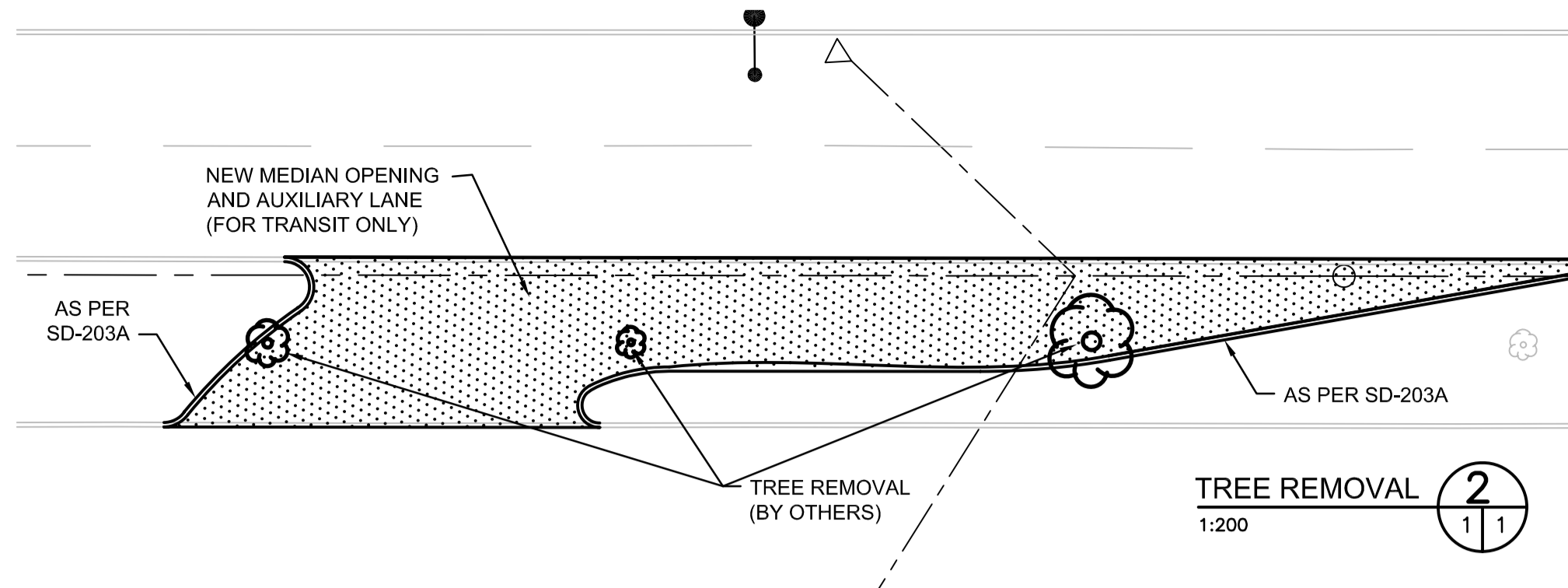


**SITE GEOMETRY** 3  
1:400

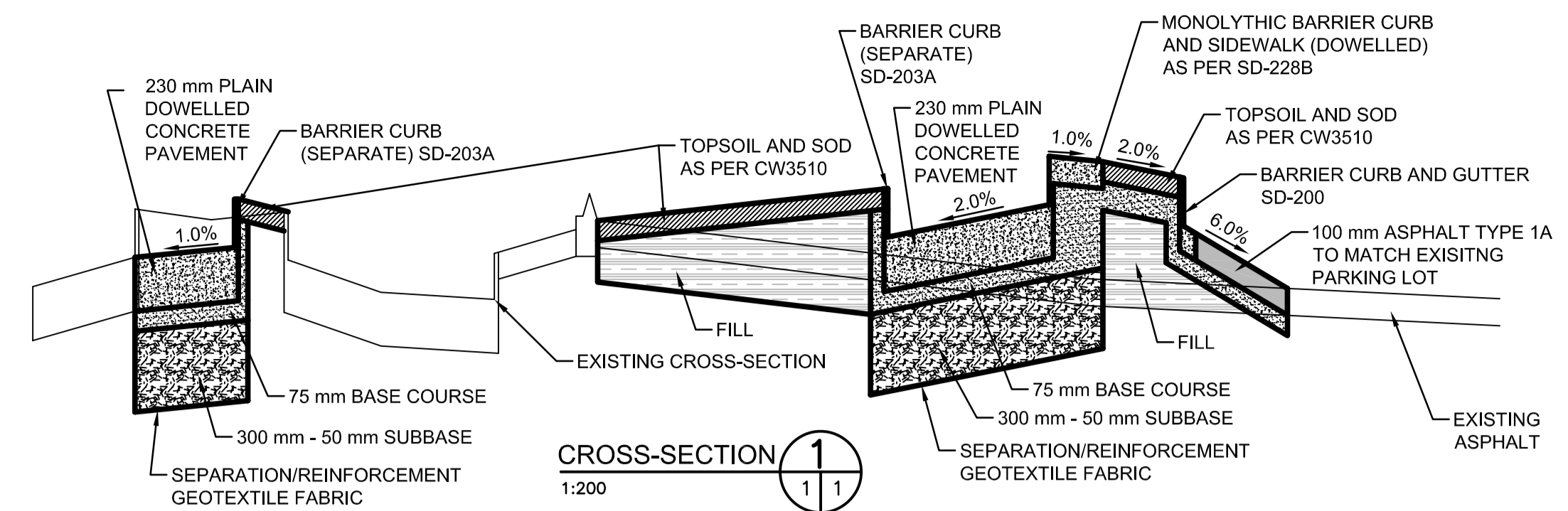
SEGMENT	TYPE	RADIUS	ANGLE	LENGTH
1 TO 2	ARC	13.500	69°35'41.8"	16.351
2 TO 3	ARC	17.000	102°38'27.4"	30.454
3 TO 4	LINE			28.769
4 TO 5	ARC	15.000	31°39'39.9"	8.289
6 TO 7	ARC	3.000	84°55'53.9"	4.447
7 TO 8	ARC	11.000	87°16'80.3"	20.487
8 TO 9	ARC	50.000	18°25'43.9"	16.082
9 TO 10	LINE			10.928
10 TO 11	ARC	1.000	147°39'45.9"	2.577
11 TO 12	LINE			15.995
13 TO 14	ARC	25.000	10°8'25.4"	4.429
14 TO 15	LINE			16.187
15 TO 16	ARC	25.000	10°8'25.4"	4.429
16 TO 17	LINE			10.592
17 TO 18	ARC	6.000	26°44'18.1"	2.800
18 TO 19	ARC	0.750	153°20'51.6"	2.007
20 TO 21	ARC	1.000	148°0'68.3"	2.576
21 TO 22	ARC	18.000	16°32'9.4"	5.272
22 TO 23	ARC	1.000	54°24'14.8"	0.950



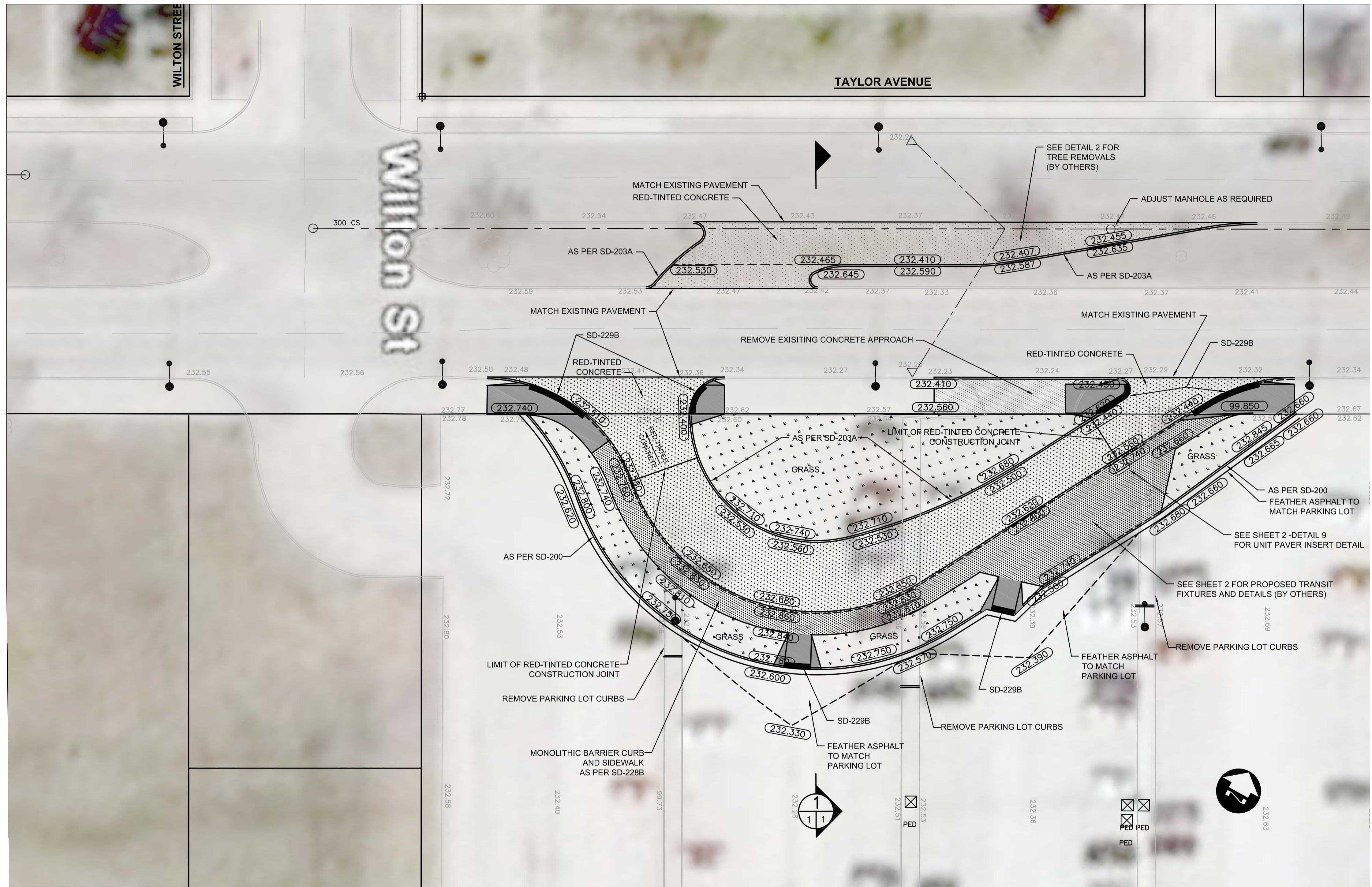
**PARKING STALLS** 4  
1:500



**TREE REMOVAL** 2  
1:200



**CROSS-SECTION** 1  
1:200



150 mm W.M.	WATERMAIN	150 mm W.M.	HYDRANT	M.T.S.	150 mm W.M.	WATERMAIN	150 mm W.M.
⊕	HYDRANT VALVE	⊕	CONCRETE	CONCRETE	⊕	HYDRANT VALVE	⊕
⊗	LAND DRAINAGE SEWER	⊗	ASPHALT	ASPHALT	⊗	LAND DRAINAGE SEWER	⊗
⊘	WASTE WATER SEWER	⊘	PLANNING	PLANNING	⊘	WASTE WATER SEWER	⊘
○	MANHOLE	●	SIDEWALK	SIDEWALK	○	MANHOLE	●
□	CATCH BASIN	■	PAVING STONES	PAVING STONES	□	CATCH BASIN	■
▽	CURB INLET	▽	PARTIAL DEPTH REPAIR	PARTIAL DEPTH REPAIR	▽	CURB INLET	▽
⊕	JUNCTIONS	⊕	PROPERTY LINE	PROPERTY LINE	⊕	JUNCTIONS	⊕
⊕	CULVERT	⊕	SURVEY BAR	SURVEY BAR	⊕	CULVERT	⊕
⊕	GAS	⊕	PARAPLEGIC RAMP	PARAPLEGIC RAMP	⊕	GAS	⊕
---	EXISTING LEGEND-PLAN	---	PROPOSED	EXISTING LEGEND-PROFILE	---	PROPOSED	EXISTING

**UNDERGROUND STRUCTURES**

SUPV. U/G STRUCTURES COMMITTEE DATE

NOTE:  
LOCATION OF UNDERGROUND STRUCTURES AS SHOWN ARE BASED ON THE BEST INFORMATION AVAILABLE, BUT NO GUARANTEE IS GIVEN THAT ALL EXISTING UTILITIES ARE SHOWN OR THAT THE GIVEN LOCATIONS ARE EXACT. CONFIRMATION OF EXISTENCE AND EXACT LOCATION OF ALL SERVICES MUST BE OBTAINED FROM THE INDIVIDUAL UTILITIES BEFORE PROCEEDING WITH CONSTRUCTION.

**B.M. ELEV.**

2	ISSUED FOR TENDER	04/29/08	DPK
1	ISSUED FOR CLIENT APPROVAL	03/05/08	DPK

NO. REVISIONS DATE BY

DESIGNED BY: WJK

DRAWN BY: WJK

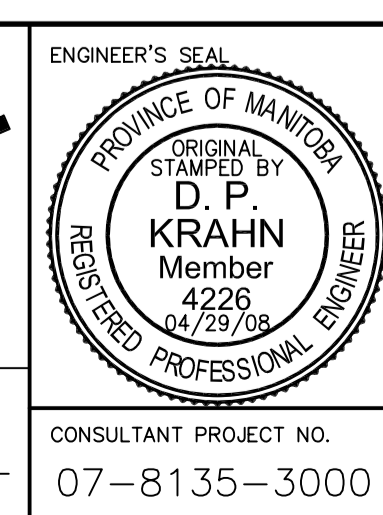
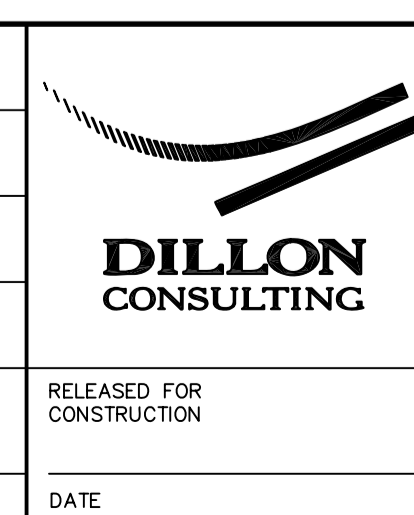
CHECKED BY: TJP / DPK

APPROVED BY:

HOR. SCALE: 1:200

VERTICAL:

RELEASED FOR CONSTRUCTION DATE: MARCH 2008



**THE CITY OF WINNIPEG TRANSIT DEPARTMENT**

MANITOBA HYDRO PARK AND RIDE FACILITY  
820 TAYLOR AVENUE

CITY DRAWING NUMBER: SHEET 1 OF 2

CONSULTANT PROJECT NO.: 07-8135-3000