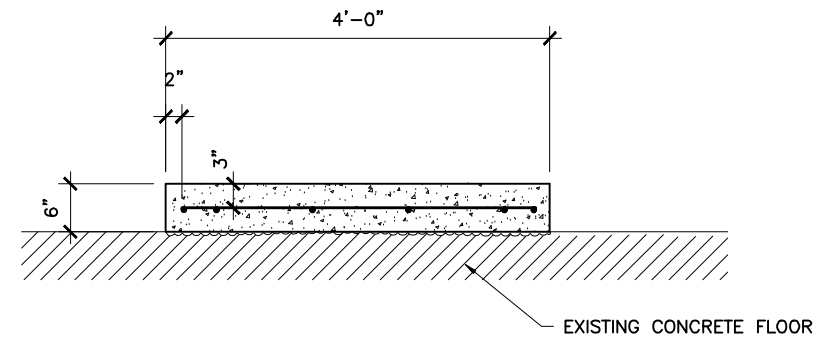


1 FOUNDATION PLAN
 DS-1 SCALE: 3/16"=1'-0"

SURFACE PREPARATION NOTE:

DEFINE OUTLINE OF SLAB PORTION TO BE ADDED W/ 1/2" DEEP BY 1/4" WIDE SAW CUT. CHIP OUT PERIMETER AND MECHANICALLY ROUGHEN EXISTING FLOOR SLAB PRIOR TO CASTING NEW SLAB PORTIONS. APPLY BONDING AGENT OR SAND/CEMENT SLURRY TO EXISTING CONCRETE FLOOR SURFACE PRIOR TO PLACING NEW CONCRETE.



2 SECTION
 DS-1 SCALE: 1/2"=1'-0"



FILE:	08503
DATE:	02/01/08
DRAWN:	R.C.M.
CHECKED:	P.T.S.
SCALE:	AS NOTED

SHEET TITLE:
 BOILER SLAB DETAIL

JOB TITLE:
 TPR MECHANICAL
 LIONS CLUB POOL
 BOILER SLAB FOUNDATION

1601-B Silver Avenue
 Winnipeg, Manitoba R3J 4A1
 Ph: (204) 786-4946
 Fax: (204) 786-4953
 email: saeeng@saeeng.mb.ca

SAE SIMS & ASSOCIATES ENGINEERS LTD.