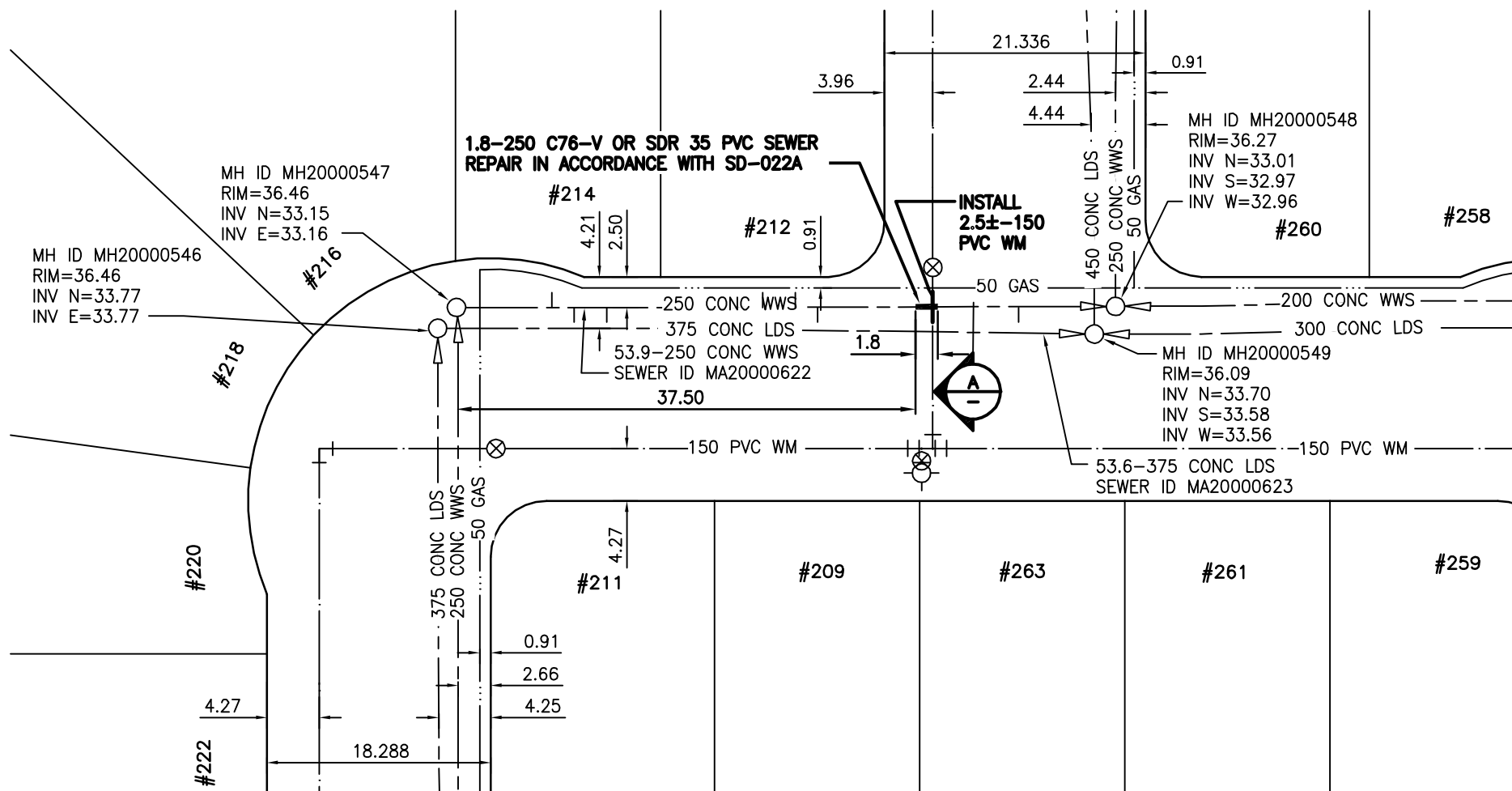
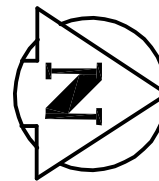


BANCROFT BY (W LEG)

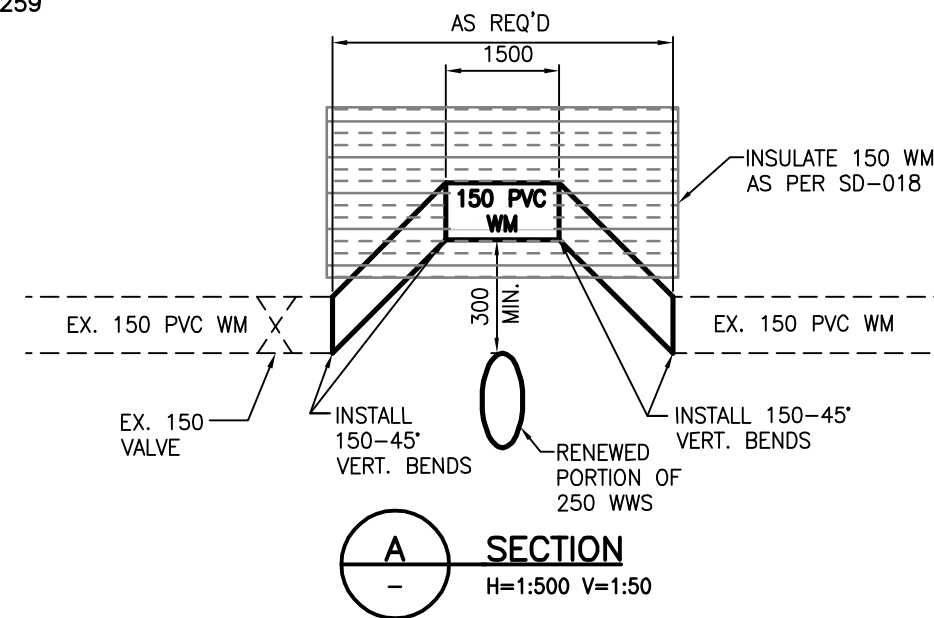


SEWER JUNCTION INFORMATION

REFERENCE—METERS WEST OF MANHOLE MH20000547

DIST. FROM REF. MANHOLE	JUNCTION DIA.	CLOCK REF.	SERVICE TYPE
7.8	150	10	JN
9.6	150	02	CN
12.3	150	02	CN
25.0	150	10	CN
27.7	150	10	CN
29.5	150	02	CN
45.9	150	01	CN

ALL JUNCTION INFORMATION BASED ON CCTV INSPECTION



METRIC

WHOLE NUMBERS INDICATE MILLIMETRES
DECIMALIZED NUMBERS INDICATE METRES

WARNING

IF POWER EQUIPMENT OR EXPLOSIVES ARE TO BE USED FOR EXCAVATION ON THIS PROJECT THE CONTRACTOR MUST:
1) NOTIFY THE GAS COMPANY OF THE PROPOSED LOCATION OF EXCAVATION.
2) TAKE PRECAUTION TO AVOID DAMAGE TO GAS COMPANY INSTALLATIONS.
SEE PROVINCIAL REGULATION 140/92 FOR DETAILS

BENCH MARK: S.E. Cor. Ness Ave. & Muriel St., Tblt. in most Nly. Conc. foundation Ness Junior High School, 2.5 m W. & 0.1 m below brick of N.E. Cor. of dwelling



Certificate of Authorization

Stantec Consulting Ltd.

No. 1301 Expiry: April 30, 2009

BID OPPORTUNITY 391-2008

LOCATION APPROVED UNDERGROUND STRUCTURES

SUPV. U/G STRUCTURES COMMITTEE DATE

NOTE:

LOCATION OF UNDERGROUND STRUCTURES AS SHOWN ARE BASED ON THE BEST INFORMATION AVAILABLE BUT NO GUARANTEE IS GIVEN THAT ALL EXISTING UTILITIES ARE SHOWN OR THAT THE GIVEN LOCATIONS ARE EXACT. CONFIRMATION OF EXISTENCE AND EXACT LOCATION OF ALL SERVICES MUST BE OBTAINED FROM THE INDIVIDUAL UTILITIES BEFORE PROCEEDING WITH CONSTRUCTION.

B.M. 40-025 ELEV. 237.482			
NO.	REVISIONS	DATE	BY



Stantec Consulting Ltd.

905 Waverley Street, Winnipeg, Manitoba
Tel 204-489-5900 Fax 204-453-9012

DESIGNED BY	J.K.H.	CHECKED BY	W.A.B.
DRAWN BY	J.K.H.	APPROVED BY	H.A.K.
HOR. SCALE:	1:500	RELEASED FOR CONSTRUCTION:	
VERTICAL:	N/A	DATE	
DATE	08.04.22	DATE	

ENGINEER'S SEAL



CONSULTANT DRAWING NO.
C-210



THE CITY OF WINNIPEG
WATER AND WASTE DEPARTMENT

2008 WATERMAIN RENEWALS, SEWER RENEWALS, AND EXTERNAL POINT REPAIRS - CONTRACT 7
BANCROFT BY (W LEG)
MH AT BANCROFT BAY S. LEG TO 1ST MH N. OF S. LEG
250 WWS POINT REPAIR

SHEET	OF
10	26
CAD FILE DRAWING NUMBER 10340c-210-702.dwg	
CITY DRAWING NUMBER 08512	