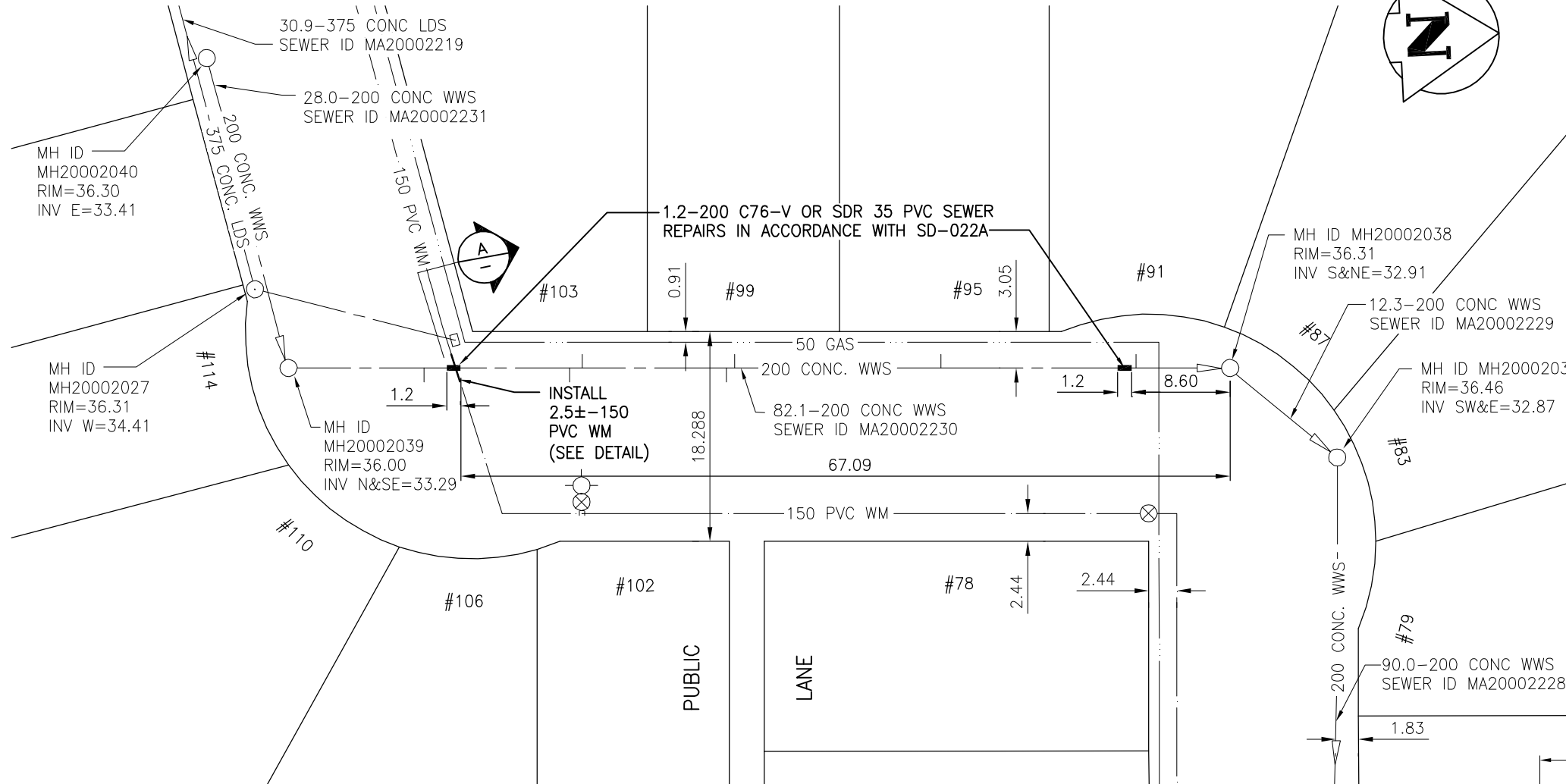
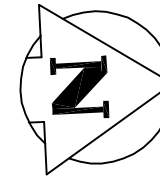


# ROGAN DRIVE (W LEG)



### SEWER JUNCTION INFORMATION

REFERENCE-METERS NORTH OF MANHOLE MH20002039

DIST. FROM REF. MANHOLE	JUNCTION DIA.	CLOCK REF.	SERVICE TYPE
11.8	150	02	CN

ALL JUNCTION INFORMATION BASED ON CCTV INSPECTION

REFERENCE-METERS SOUTH OF MANHOLE MH20002038

DIST. FROM REF. MANHOLE	JUNCTION DIA.	CLOCK REF.	SERVICE TYPE
8.2	150	02	CN
25.2	150	03	CN
43.2	150	02	CN
43.9	150	10	CN
56.5	150	02	CX
57.6	150	10	CN

ALL JUNCTION INFORMATION BASED ON CCTV INSPECTION

### METRIC

WHOLE NUMBERS INDICATE MILLIMETRES  
 DECIMALIZED NUMBERS INDICATE METRES

### WARNING

IF POWER EQUIPMENT OR EXPLOSIVES ARE TO BE USED FOR EXCAVATION ON THIS PROJECT THE CONTRACTOR MUST:  
 1) NOTIFY THE GAS COMPANY OF THE PROPOSED LOCATION OF EXCAVATION.  
 2) TAKE PRECAUTION TO AVOID DAMAGE TO GAS COMPANY INSTALLATIONS.  
 SEE PROVINCIAL REGULATION 140/92 FOR DETAILS

BENCH MARK: N. side Voyageur Ave. @ Moccasin Bay, tblt. in S. conc. foundation of Voyageur School, 3.5m W. & 0.2m below tyndall stone of S.E. cor. of school.

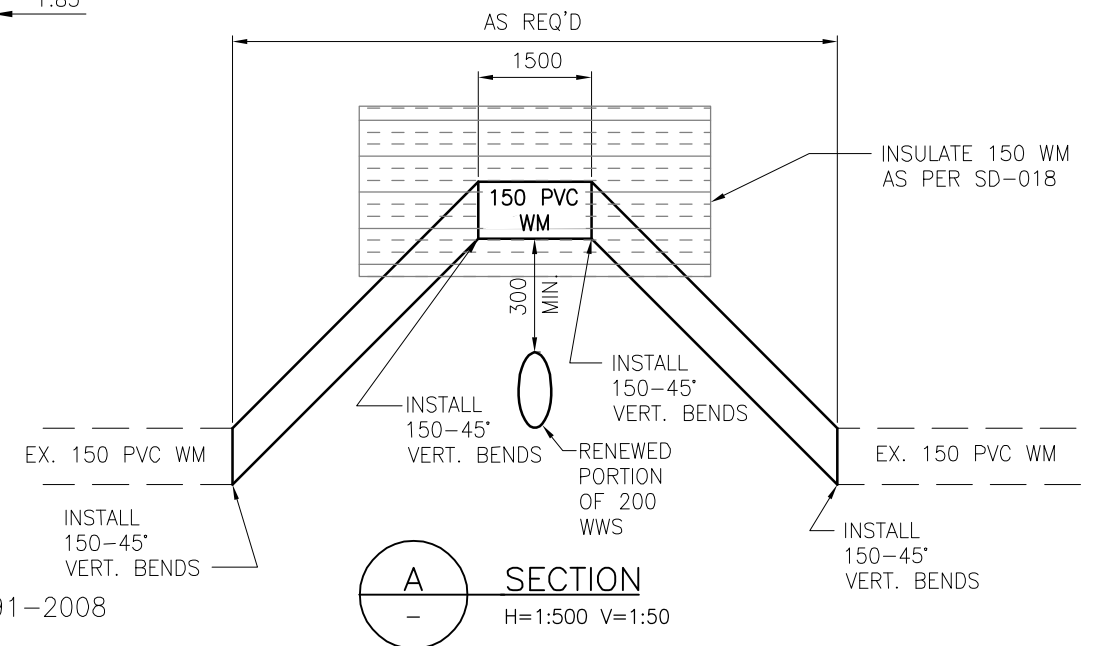


Certificate of Authorization

Stantec Consulting Ltd.

No. 1301 Expiry: April 30, 2009

BID OPPORTUNITY 391-2008



### LOCATION APPROVED UNDERGROUND STRUCTURES

SUPV. U/G STRUCTURES COMMITTEE DATE

### NOTE:

LOCATION OF UNDERGROUND STRUCTURES AS SHOWN ARE BASED ON THE BEST INFORMATION AVAILABLE BUT NO GUARANTEE IS GIVEN THAT ALL EXISTING UTILITIES ARE SHOWN OR THAT THE GIVEN LOCATIONS ARE EXACT. CONFIRMATION OF EXISTENCE AND EXACT LOCATION OF ALL SERVICES MUST BE OBTAINED FROM THE INDIVIDUAL UTILITIES BEFORE PROCEEDING WITH CONSTRUCTION.

B.M. 40-019  
 ELEV. 238.102m

NO.	REVISIONS	DATE	BY



### Stantec Consulting Ltd.

905 Waverley Street, Winnipeg, Manitoba  
 Tel 204-489-5900 Fax 204-453-9012

DESIGNED BY	J.K.H.	CHECKED BY	W.A.B.
DRAWN BY	W.B.G.	APPROVED BY	H.A.K.
HOR. SCALE:	1:500	RELEASED FOR CONSTRUCTION:	
VERTICAL:	N/A	DATE	08.04.22

ENGINEER'S SEAL



CONSULTANT DRAWING NO.  
 C-223



## THE CITY OF WINNIPEG WATER AND WASTE DEPARTMENT

2008 WATERMAIN RENEWALS, SEWER RENEWALS, AND EXTERNAL POINT REPAIRS - CONTRACT 7  
 ROGAN DRIVE (WEST LEG)  
 1ST MH S. OF ROGAN DR. W. LEG TO MH @ ROGAN S LEG  
 200 WWS POINT REPAIR

SHEET	23	OF	26
CAD FILE DRAWING NUMBER	10340c-223-702.dwg		
CITY DRAWING NUMBER	08525		