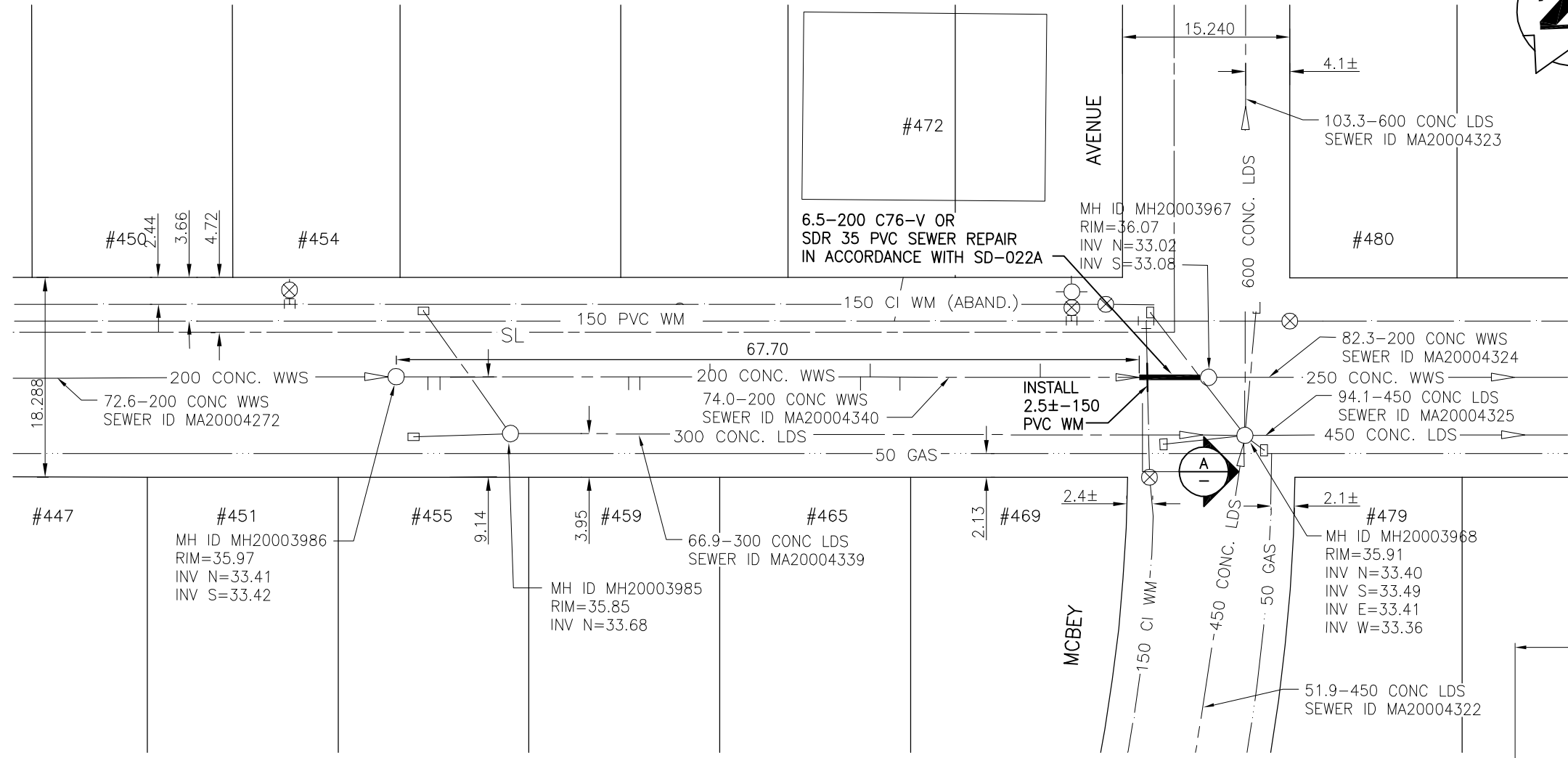
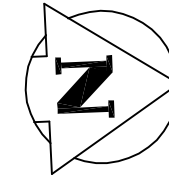


KIRKFIELD STREET

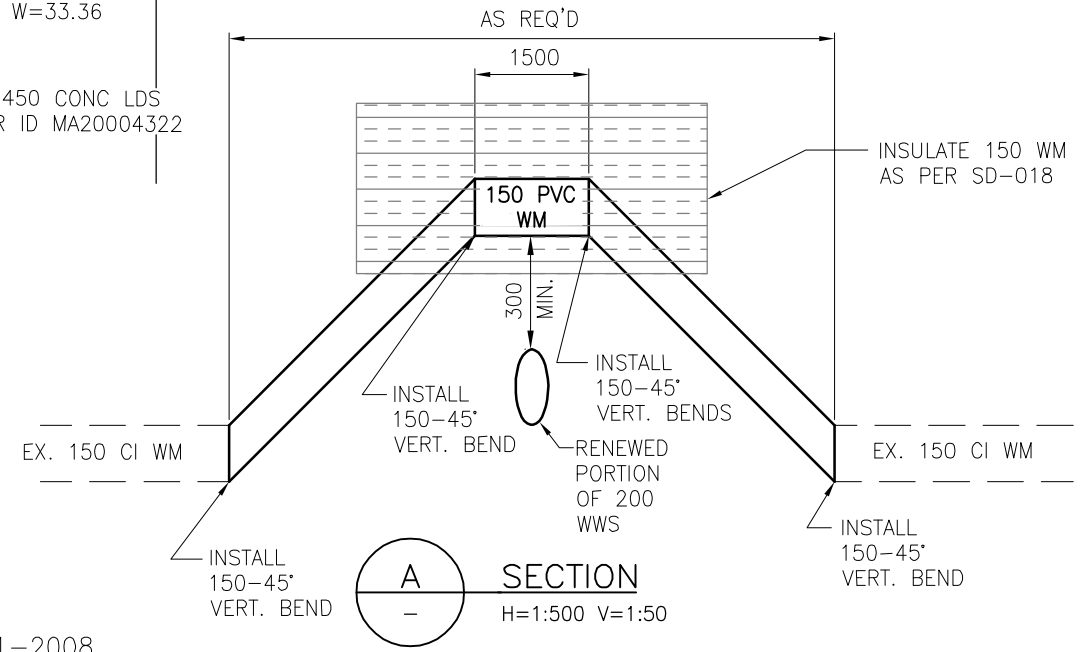


SEWER JUNCTION INFORMATION

REFERENCE—METERS NORTH OF MANHOLE MH20003986

DIST. FROM REF. MANHOLE	JUNCTION DIA.	CLOCK REF.	SERVICE TYPE
3.0	100	02	JN
4.0	150	02	CN
21.2	150	02	CNI
22.2	150	02	CNI
28.6	100	10	JN
42.3	100	02	JN
43.2	100	10	CNI
45.9	150	10	CNI
57.8	100	01	JN
58.8	100	11	CN

ALL JUNCTION INFORMATION BASED ON CCTV INSPECTION



**METRIC**  
WHOLE NUMBERS INDICATE MILLIMETRES  
DECIMALIZED NUMBERS INDICATE METRES

**WARNING**  
IF POWER EQUIPMENT OR EXPLOSIVES ARE TO BE USED FOR EXCAVATION ON THIS PROJECT THE CONTRACTOR MUST:  
1) NOTIFY THE GAS COMPANY OF THE PROPOSED LOCATION OF EXCAVATION.  
2) TAKE PRECAUTION TO AVOID DAMAGE TO GAS COMPANY INSTALLATIONS.  
SEE PROVINCIAL REGULATION 140/92 FOR DETAILS

BENCH MARK: 83R494 - N.W. cor. McBey Ave. & Kirkfield St., t/bt. on top of 0.05m dia. x 2.4m iron pipe, 5.4m N. of C.L. conc. pav't of McBey Ave. & 9.2m W. of C.L. conc. pav't of Kirkfield St., or 13.1m N. of S. L. McBey Ave. & on W.L. of Kirkfield St.

**APEGM**  
Certificate of Authorization  
Stantec Consulting Ltd.  
No. 1301 Expiry: April 30, 2009

BID OPPORTUNITY 391-2008

**LOCATION APPROVED UNDERGROUND STRUCTURES**

SUPV. U/G STRUCTURES COMMITTEE	DATE

**NOTE:**  
LOCATION OF UNDERGROUND STRUCTURES AS SHOWN ARE BASED ON THE BEST INFORMATION AVAILABLE BUT NO GUARANTEE IS GIVEN THAT ALL EXISTING UTILITIES ARE SHOWN OR THAT THE GIVEN LOCATIONS ARE EXACT. CONFIRMATION OF EXISTENCE AND EXACT LOCATION OF ALL SERVICES MUST BE OBTAINED FROM THE INDIVIDUAL UTILITIES BEFORE PROCEEDING WITH CONSTRUCTION.

B.M. 41-037  
ELEV. 235.955m

NO.	REVISIONS	DATE	BY

**Stantec Consulting Ltd.**  
905 Waverley Street, Winnipeg, Manitoba  
Tel 204-489-5900 Fax 204-453-9012

DESIGNED BY J.K.H.	CHECKED BY W.A.B.
DRAWN BY W.B.G.	APPROVED BY H.A.K.
HOR. SCALE: VERTICAL: 1:500 N/A	RELEASED FOR CONSTRUCTION: DATE

ENGINEER'S SEAL

CONSULTANT DRAWING NO.  
C-225

**THE CITY OF WINNIPEG**  
WATER AND WASTE DEPARTMENT

**2008 WATERMAIN RENEWALS, SEWER RENEWALS, AND EXTERNAL POINT REPAIRS - CONTRACT 7**  
KIRKFIELD STREET  
MH @ MCBEY AVE. TO 1ST MH S. OF MCBEY AVE.  
200 WWS POINT REPAIR

SHEET	OF
25	26
CAD FILE DRAWING NUMBER 10340c-225-702.dwg	
CITY DRAWING NUMBER 08528	

V:\112\active\11210340\drawing\402\_design\sheet\_files\10340c-225-702.dwg  
2008-05-08 10:36AM By: wjutttek