

NOTES:
 1. STATIONING ALONG NORTH BACK OF CURB OF NESS AVENUE.
 2. STREETLIGHT BASE ADJUSTMENT (BY OTHERS) (TYPICAL).
 3. INSTALLATION OF WATERMAIN BY OTHERS.

WARNING

IF POWER EQUIPMENT OR EXPLOSIVES ARE TO BE USED FOR EXCAVATION ON THIS PROJECT THE CONTRACTOR MUST:
 1) NOTIFY THE GAS COMPANY OF THE PROPOSED LOCATION OF EXCAVATION.
 2) TAKE PRECAUTION TO AVOID DAMAGE TO GAS COMPANY INSTALLATIONS.
 SEE PROVINCIAL REGULATION 140/92 FOR DETAILS.

METRIC

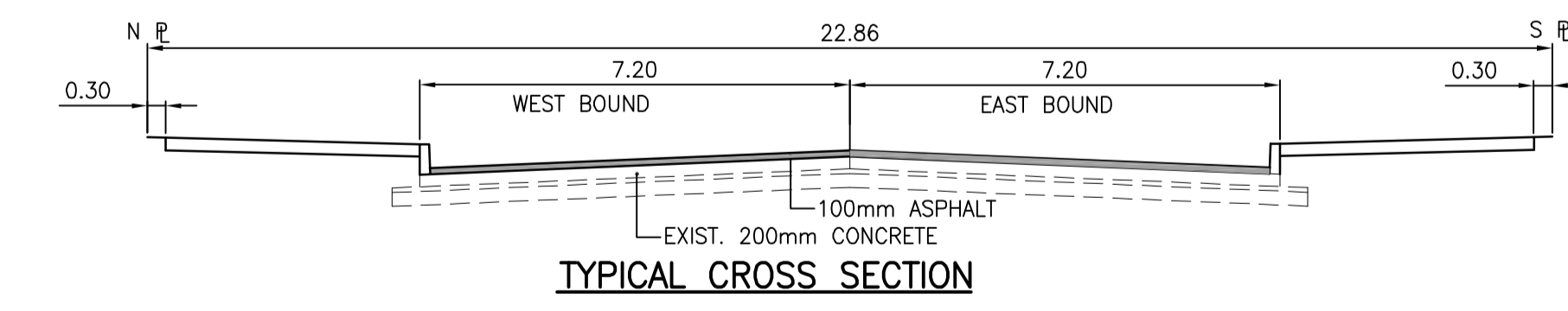
WHOLE NUMBERS INDICATE MILLIMETRES
 DECIMALIZED NUMBERS INDICATE METRES

EXISTING	LEGEND-PLAN	PROPOSED	EXISTING	LEGEND-PLAN	PROPOSED	EXISTING	LEGEND-PROFILE	PROPOSED
150 WM	WATERMAIN	150 WM	HYDRO	HYDRO	HYDRO	150 WM	WATERMAIN	150 WM
Hydrant symbol	HYDRANT	Hydrant symbol	M.T.S.	M.T.S.	M.T.S.	Hydrant symbol	HYDRANT, VALVE	Hydrant symbol
Valve symbol	VALVE	Valve symbol	Concrete	CONCRETE	Concrete	300 LDS	LAND DRAINAGE SEWER	300 LDS
300 LDS	LAND DRAINAGE SEWER	300 LDS	Asphalt	ASPHALT	Asphalt	250 WWS	WASTE WATER SEWER	250 WWS
250 WWS	WASTE WATER SEWER	250 WWS	Sidewalk	SIDEWALK	Sidewalk	C	PROFILE	C
Manhole symbol	MANHOLE	Manhole symbol	Property Line	PROPERTY LINE	Property Line	North or West	GUTTER	North or West
Catch Basin symbol	CATCH BASIN	Catch Basin symbol	Survey Bar	SURVEY BAR	Survey Bar	South or East	GUTTER	South or East
Curb Inlet symbol	CURB INLET	Curb Inlet symbol	Ditch	DITCH	Ditch	North or West	DITCH	North or West
Junctions symbol	JUNCTIONS	Junctions symbol	Elevation	ELEVATION	Elevation	South or East	DITCH	South or East
Culvert symbol	CULVERT	Culvert symbol	Sidewalk Ramp	SIDEWALK RAMP	Sidewalk Ramp	North or West	DITCH	North or West
Gas symbol	GAS	Gas symbol				South or East	DITCH	South or East

LOCATION APPROVED UNDERGROUND STRUCTURES

SUPV. U/G STRUCTURES COMMITTEE DATE
 NOTE: LOCATION OF UNDERGROUND STRUCTURES AS SHOWN ARE BASED ON THE BEST INFORMATION AVAILABLE BUT NO GUARANTEE IS GIVEN THAT THE GIVEN LOCATIONS ARE EXACT. CONFIRMATION OF EXISTENCE AND EXACT LOCATION OF ALL SERVICES MUST BE OBTAINED FROM THE INDIVIDUAL UTILITIES BEFORE PROCEEDING WITH CONSTRUCTION.

BENCH MARK: 83r621 - N.E. cor. Ness Ave. & Woodlawn St., Tbit. on top of 0.05m dia. x 2.4m iron pipe, on N.L. of Ness Ave. & 1.2m W. of E.L. of Woodlawn St.



Stantec Consulting Ltd.
 905 Waverley Street, Winnipeg, Manitoba
 Tel 204-489-5900 Fax 204-453-9012

DESIGNED BY	V.M.M.	CHECKED BY	K.A.R.
DRAWN BY	J.M.B.	APPROVED BY	K.A.R.
HOR. SCALE:	1:250	RELEASED FOR CONSTRUCTION:	F. COREY
VERTICAL:	1:10	DATE	MAY 29, 2008

ENGINEER'S SEAL
 ORIGINAL SEALED BY
 K.A. ROSIN
 P. ENG.
 08.05.29
 CONSULTANT DRAWING NO.
 C-202

THE CITY OF WINNIPEG
 TRANSPORTATION ENGINEERING DIVISION

NESS AVENUE (WESTBOUND)
 150m W OF CONWAY ST. TO BELVIDERE ST.
 STA. 3+50 TO STA. 4+80
 CONCRETE REPAIRS AND ASPHALT RESURFACING

SHEET 3 OF 7
 CAD FILE DRAWING NUMBER
 04560c-201-675.dwg
 CITY DRAWING NUMBER
 P-3277-03