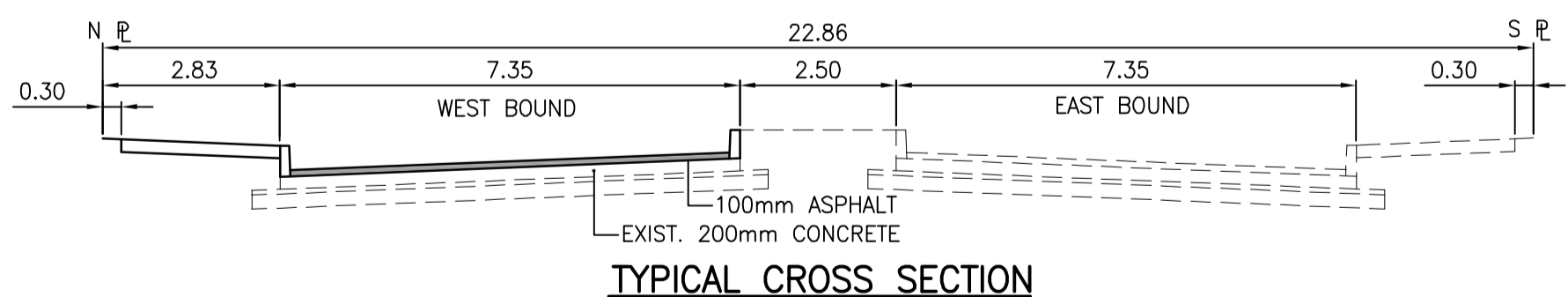
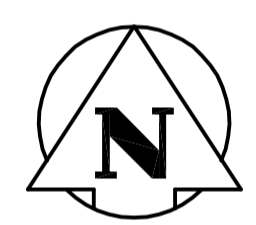
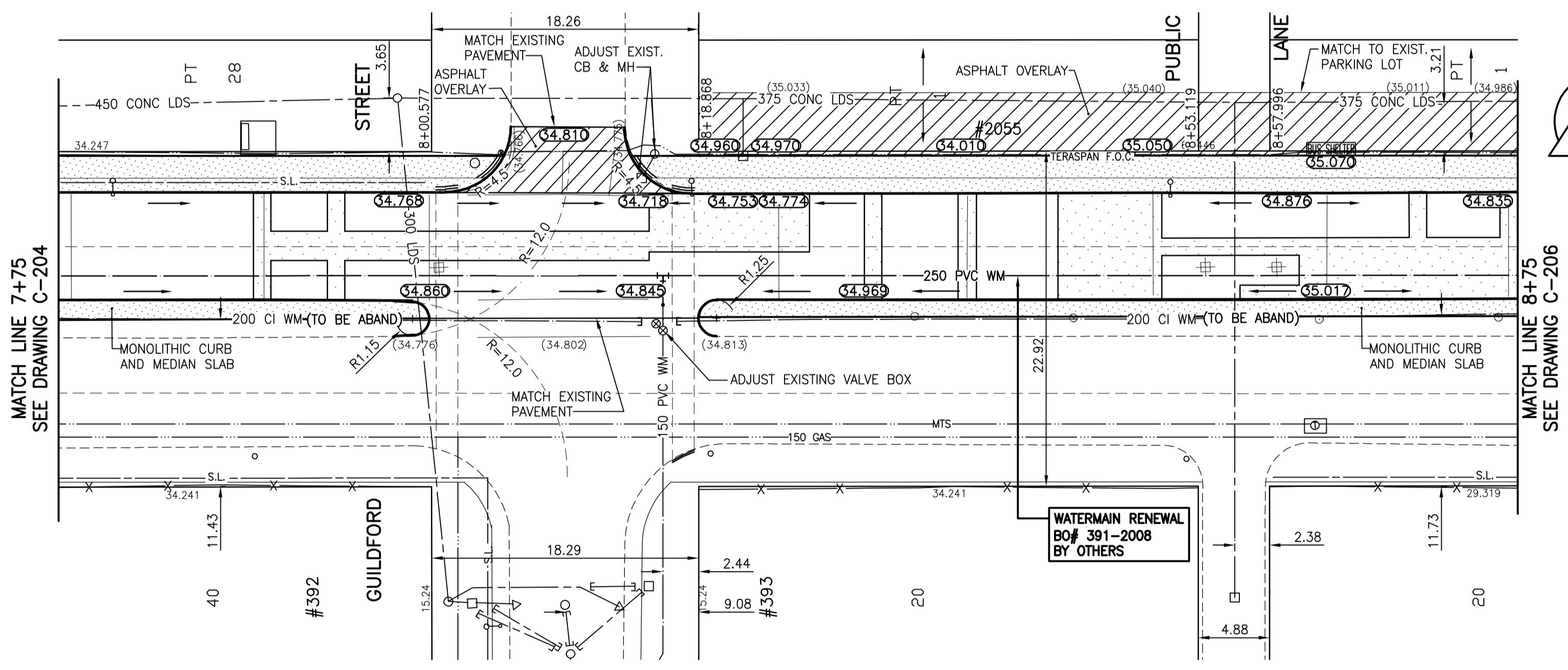


NESS AVENUE



APEGM
Certificate of Authorization
Stantec Consulting Ltd.
No. 1301 Expiry: April 30, 2009

WARNING

IF POWER EQUIPMENT OR EXPLOSIVES ARE TO BE USED FOR EXCAVATION ON THIS PROJECT THE CONTRACTOR MUST:
1) NOTIFY THE GAS COMPANY OF THE PROPOSED LOCATION OF EXCAVATION.
2) TAKE PRECAUTION TO AVOID DAMAGE TO GAS COMPANY INSTALLATIONS.
SEE PROVINCIAL REGULATION 140/92 FOR DETAILS

METRIC

WHOLE NUMBERS INDICATE MILLIMETRES
DECIMALIZED NUMBERS INDICATE METRES

- NOTES:**
- STATIONING ALONG NORTH BACK OF CURB OF NESS AVENUE
 - STREETLIGHT BASE ADJUSTMENT (BY OTHERS) (TYPICAL)
 - INSTALLATION OF WATERMAIN BY OTHERS.

BENCH MARK: 83r621 - N.E. cor. Ness Ave. & Woodlawn St., Tbt. on top of 0.05m dia. x 2.4m iron pipe, on N.L. of Ness Ave. & 1.2m W. of E.L. of Woodlawn St.

| EXISTING | LEGEND-PLAN | PROPOSED | EXISTING | LEGEND-PLAN | PROPOSED | EXISTING | LEGEND-PROFILE | PROPOSED |
|-------------|---------------------|-------------|---------------|---------------|----------------------|----------------------|----------------------|----------------------|
| 150 WM | WATERMAIN | 150 WM | HYDRO | HYDRO | 150 WM | WATERMAIN | 150 WM | WATERMAIN |
| HYDRANT | HYDRANT | HYDRANT | M.T.S. | M.T.S. | HYDRANT, VALVE | HYDRANT, VALVE | HYDRANT, VALVE | HYDRANT, VALVE |
| VALVE | VALVE | VALVE | CONCRETE | CONCRETE | LAND DRAINAGE SEWER | LAND DRAINAGE SEWER | LAND DRAINAGE SEWER | LAND DRAINAGE SEWER |
| 300 LDS | LAND DRAINAGE SEWER | 300 LDS | ASPHALT | ASPHALT | 250 WWS | WASTE WATER SEWER | 250 WWS | WASTE WATER SEWER |
| 250 WWS | WASTE WATER SEWER | 250 WWS | SIDEWALK | SIDEWALK | C PROFILE | C PROFILE | C PROFILE | C PROFILE |
| MANHOLE | MANHOLE | MANHOLE | PROPERTY LINE | PROPERTY LINE | NORTH OR WEST GUTTER | NORTH OR WEST GUTTER | NORTH OR WEST GUTTER | NORTH OR WEST GUTTER |
| CATCH BASIN | CATCH BASIN | CATCH BASIN | SURVEY BAR | SURVEY BAR | SOUTH OR EAST GUTTER | SOUTH OR EAST GUTTER | SOUTH OR EAST GUTTER | SOUTH OR EAST GUTTER |
| CURB INLET | CURB INLET | CURB INLET | DITCH | DITCH | NORTH OR WEST P | NORTH OR WEST P | NORTH OR WEST P | NORTH OR WEST P |
| JUNCTIONS | JUNCTIONS | JUNCTIONS | ELEVATION | ELEVATION | SOUTH OR EAST P | SOUTH OR EAST P | SOUTH OR EAST P | SOUTH OR EAST P |
| CULVERT | CULVERT | CULVERT | SIDEWALK RAMP | SIDEWALK RAMP | NORTH OR WEST DITCH | NORTH OR WEST DITCH | NORTH OR WEST DITCH | NORTH OR WEST DITCH |
| GAS | GAS | GAS | | | SOUTH OR EAST DITCH | SOUTH OR EAST DITCH | SOUTH OR EAST DITCH | SOUTH OR EAST DITCH |

LOCATION APPROVED UNDERGROUND STRUCTURES

SUPV. U/G STRUCTURES COMMITTEE DATE
NOTE: LOCATION OF UNDERGROUND STRUCTURES AS SHOWN ARE BASED ON THE BEST INFORMATION AVAILABLE BUT NO GUARANTEE IS GIVEN THAT THE GIVEN LOCATIONS ARE EXACT. CONFIRMATION OF EXISTENCE AND EXACT LOCATION OF ALL SERVICES MUST BE OBTAINED FROM THE INDIVIDUAL UTILITIES BEFORE PROCEEDING WITH CONSTRUCTION.

| NO. | REVISIONS | DATE | BY |
|-----|----------------------------|----------|--------|
| 3 | ISSUED FOR TENDER | 08.05.29 | K.A.R. |
| 2 | REISSUED FOR CLIENT REVIEW | 08.01.27 | T.G. |
| 1 | ISSUED FOR CLIENT REVIEW | 07.03.07 | J.M.B. |

Stantec Consulting Ltd.
905 Waverley Street, Winnipeg, Manitoba
Tel 204-489-5900 Fax 204-453-9012

DESIGNED BY: V.M.M. CHECKED BY: K.A.R.
DRAWN BY: J.M.B. APPROVED BY: K.A.R.

HOR. SCALE: 1:250
VERTICAL: 1:10

RELEASED FOR CONSTRUCTION: F. COREY
DATE: MAY 29, 2008

ENGINEER'S SEAL
ORIGINAL SEALED BY: K.A. ROSIN
P. ENG. 08.05.29
CONSULTANT DRAWING NO. C-205

THE CITY OF WINNIPEG
Winnipeg TRANSPORTATION ENGINEERING DIVISION

NESS AVENUE (WESTBOUND)
150m W OF CONWAY ST. TO BELVIDERE ST.
STA. 7+75 TO STA. 8+75
CONCRETE REPAIRS AND ASPHALT RESURFACING

SHEET 6 OF 7
CAD FILE DRAWING NUMBER: 04560c-201-675.dwg
CITY DRAWING NUMBER: P-3277-06