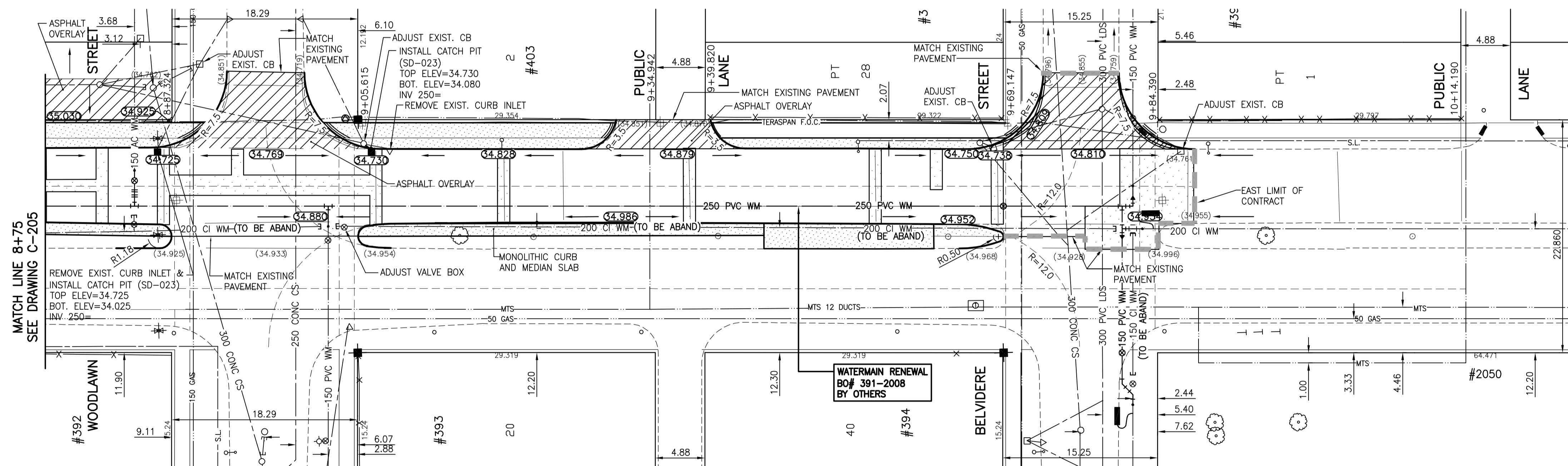


MATCH LINE 8+75

8+75 9+00 9+25 9+50 9+75 10+00

NESS AVENUE



WARNING

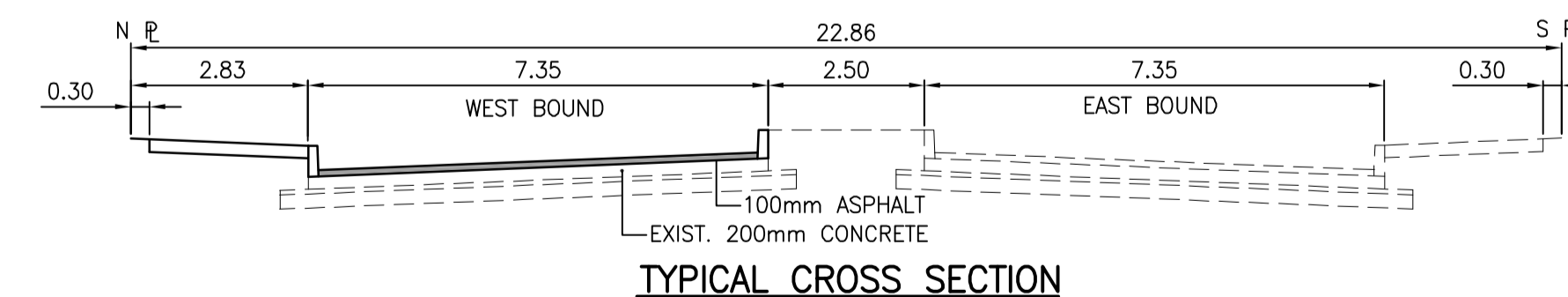
IF POWER EQUIPMENT OR EXPLOSIVES ARE TO BE USED FOR EXCAVATION ON THIS PROJECT THE CONTRACTOR MUST:
 1) NOTIFY THE GAS COMPANY OF THE PROPOSED LOCATION OF EXCAVATION.
 2) TAKE PRECAUTION TO AVOID DAMAGE TO GAS COMPANY INSTALLATIONS.
 SEE PROVINCIAL REGULATION 140/92 FOR DETAILS

METRIC

WHOLE NUMBERS INDICATE MILLIMETRES
 DECIMALIZED NUMBERS INDICATE METRES

- NOTES:
- STATIONING ALONG NORTH BACK OF CURB OF NESS AVENUE
 - STREETLIGHT BASE ADJUSTMENT (BY OTHERS) (TYPICAL)
 - INSTALLATION OF WATERMAIN BY OTHERS.

BENCH MARK: 83r621 - N.E. cor. Ness Ave. & Woodlawn St., Tbit. on top of 0.05m dia. x 2.4m iron pipe, on N.L. of Ness Ave. & 1.2m W. of E.L. of Woodlawn St.



TYPICAL CROSS SECTION

APEGM
 Certificate of Authorization
 Stantec Consulting Ltd.
 No. 1301 Expiry: April 30, 2009

EXISTING	LEGEND-PLAN	PROPOSED	EXISTING	LEGEND-PLAN	PROPOSED	EXISTING	LEGEND-PROFILE	PROPOSED
150 WM	WATERMAIN	150 WM	HYDRO	HYDRO	HYDRO	150 WM	WATERMAIN	150 WM
Hydrant	HYDRANT	Hydrant	M.T.S.	M.T.S.	M.T.S.	Hydrant	HYDRANT, VALVE	Hydrant
Valve	VALVE	Valve	CONCRETE	CONCRETE	CONCRETE	300 LDS	LAND DRAINAGE SEWER	300 LDS
300 LDS	LAND DRAINAGE SEWER	300 LDS	ASPHALT	ASPHALT	ASPHALT	250 WWS	WASTE WATER SEWER	250 WWS
250 WWS	WASTE WATER SEWER	250 WWS	SIDEWALK	SIDEWALK	SIDEWALK	C	PROFILE	C
Manhole	MANHOLE	Manhole	PROPERTY LINE	PROPERTY LINE	PROPERTY LINE	North or West Gutter	NORTH OR WEST GUTTER	North or West Gutter
Catch Basin	CATCH BASIN	Catch Basin	Survey Bar	SURVEY BAR	Survey Bar	South or East Gutter	SOUTH OR EAST GUTTER	South or East Gutter
Curb Inlet	CURB INLET	Curb Inlet	Ditch	DITCH	Ditch	North or West P	NORTH OR WEST P	North or West P
Junctions	JUNCTIONS	Junctions	Elevation	ELEVATION	Elevation	South or East P	SOUTH OR EAST P	South or East P
Culvert	CULVERT	Culvert	Sidewalk Ramp	SIDEWALK RAMP	Sidewalk Ramp	North or West Ditch	NORTH OR WEST DITCH	North or West Ditch
Gas	GAS	Gas				South or East Ditch	SOUTH OR EAST DITCH	South or East Ditch

LOCATION APPROVED UNDERGROUND STRUCTURES

SUPV. U/G STRUCTURES COMMITTEE DATE

NOTE:
 LOCATION OF UNDERGROUND STRUCTURES AS SHOWN ARE BASED ON THE BEST INFORMATION AVAILABLE BUT NO GUARANTEE IS GIVEN THAT THE GIVEN LOCATIONS ARE EXACT. CONFIRMATION OF EXISTENCE AND EXACT LOCATION OF ALL SERVICES MUST BE OBTAINED FROM THE INDIVIDUAL UTILITIES BEFORE PROCEEDING WITH CONSTRUCTION.

NO.	REVISIONS	DATE	BY
3	ISSUED FOR TENDER	08.05.29	K.A.R.
2	REISSUED FOR CLIENT REVIEW	08.01.27	T.G.
1	ISSUED FOR CLIENT REVIEW	07.03.07	J.M.B.

Stantec Consulting Ltd.
 905 Waverley Street, Winnipeg, Manitoba
 Tel 204-489-5900 Fax 204-453-9012

DESIGNED BY: V.M.M. CHECKED BY: K.A.R.
 DRAWN BY: J.M.B. APPROVED BY: K.A.R.

HOR. SCALE: 1:250
 VERTICAL: 1:10

RELEASED FOR CONSTRUCTION: F. COREY
 DATE: MAY 29, 2008

ENGINEER'S SEAL
 ORIGINAL SEALED BY: K.A. ROSIN
 P. ENG. 08.05.29
 CONSULTANT DRAWING NO. C-206

THE CITY OF WINNIPEG
 TRANSPORTATION ENGINEERING DIVISION

NESS AVENUE (WESTBOUND)
 150m W OF CONWAY ST. TO BELVIDERE ST.
 CONCRETE REPAIRS AND ASPHALT RESURFACING

SHEET 7 OF 7
 CAD FILE DRAWING NUMBER: 04560c-201-675.dwg
 CITY DRAWING NUMBER: P-3277-07