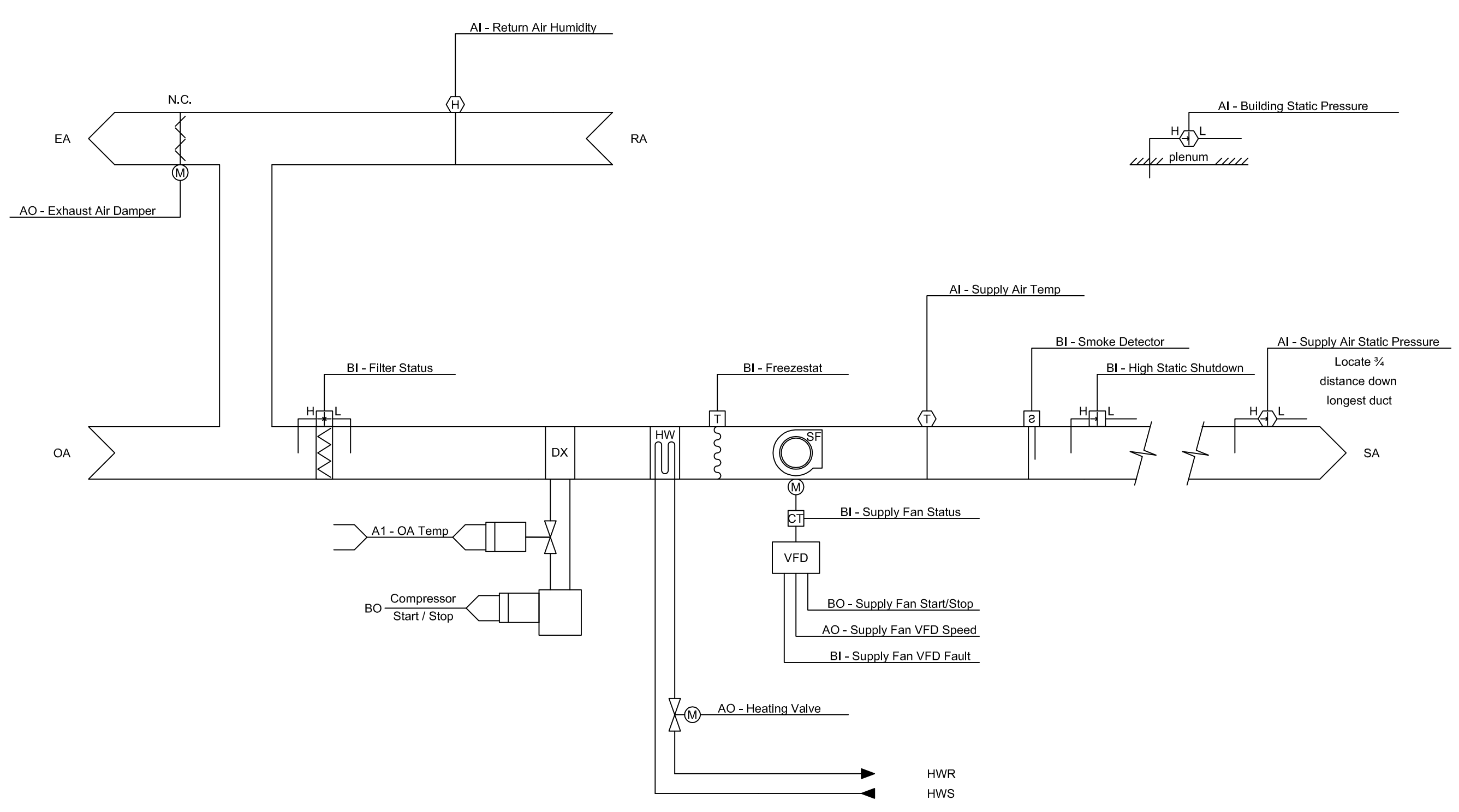
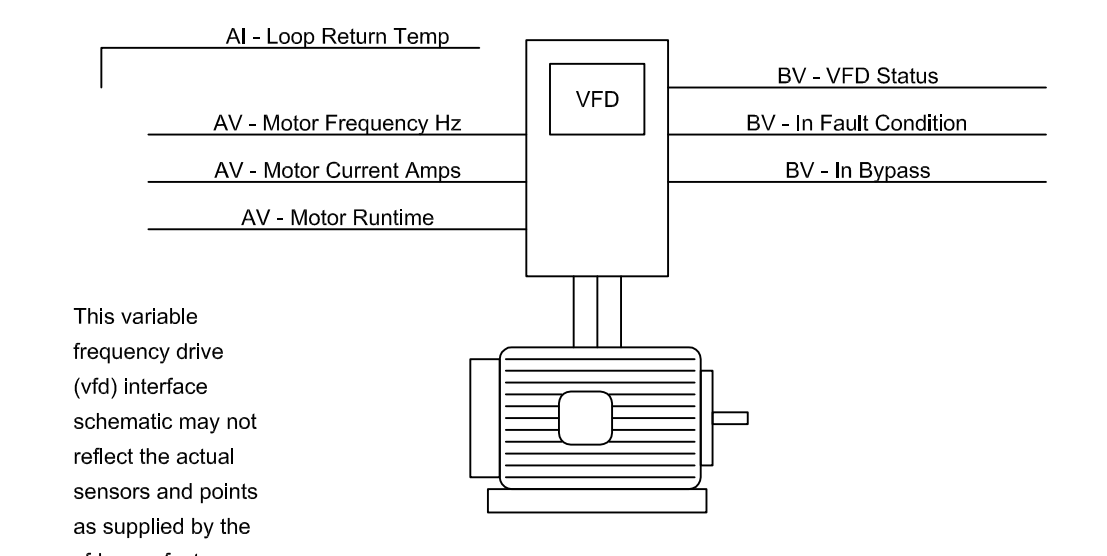


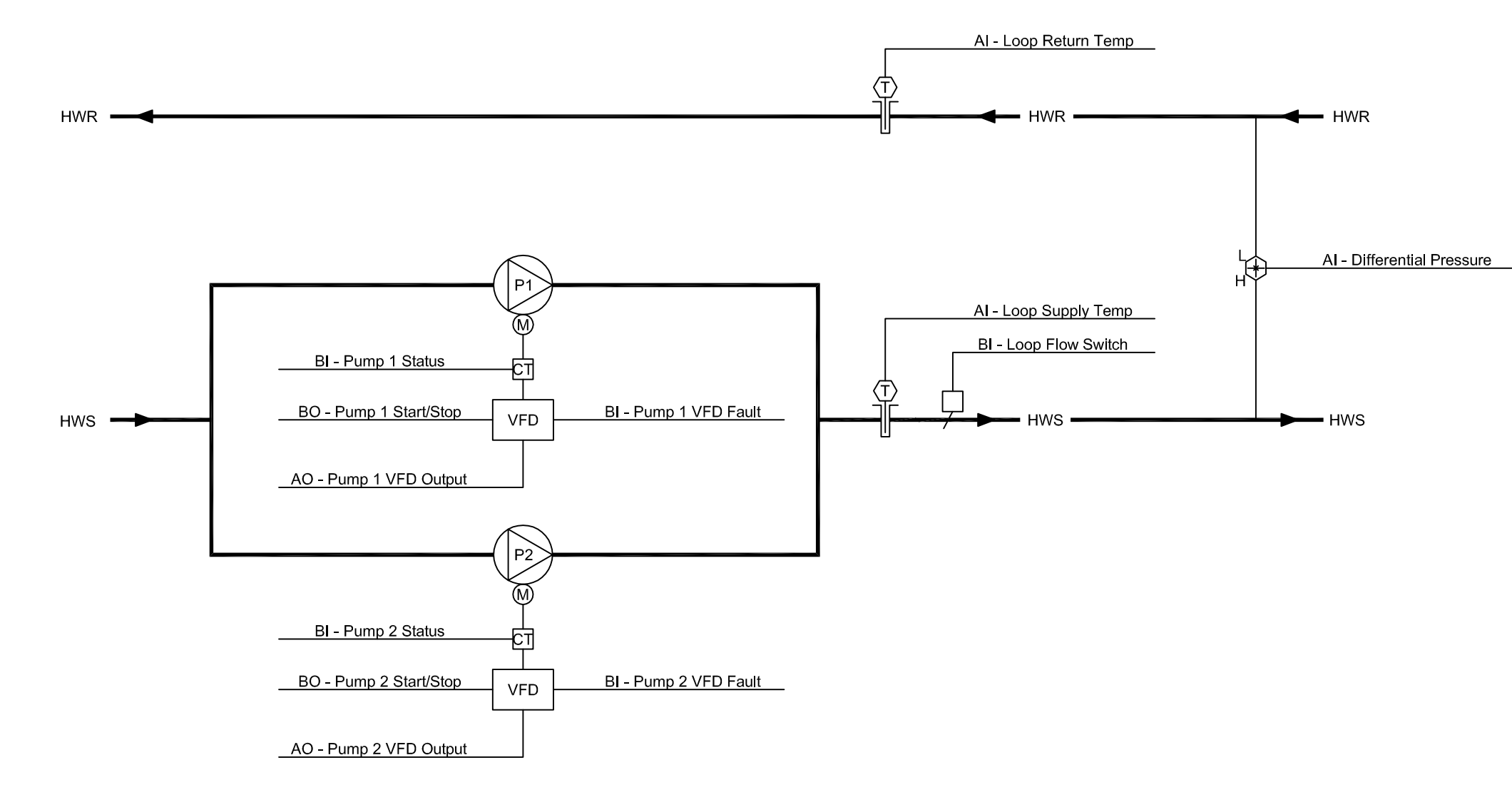
**HEATING SYSTEM SCHEMATIC**  
 NTS.



**VARIABLE VOLUME AIR HANDLING UNIT CONTROL**  
 NTS.

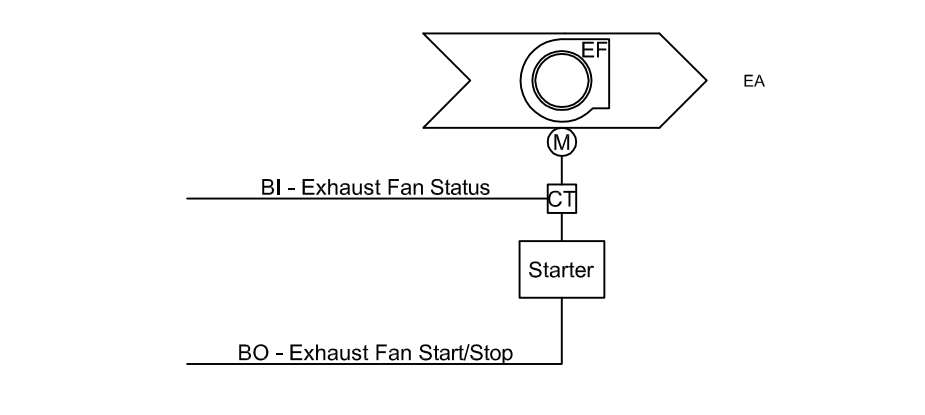


**TYPICAL VFD/MOTOR CONTROL INTERFACE**  
 NTS.



**VFD PUMP CONTROL**  
 NTS.

• TYPICAL FOR BOTH HOT WATER AND GLYCOL HEATING SYSTEMS



**TYPICAL EXHAUST FAN CONTROL**  
 NTS.

**SMS ENGINEERING**

SMS Engineering Ltd. Consulting Engineers  
 770 Turner Street Winnipeg R3C 0K6  
 Telephone: 204.775.0291 Fax: 204.772.2150  
 smsengineering.com

02-019-01

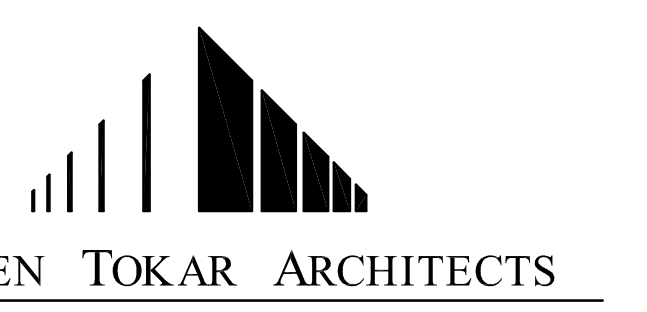
ORIGINAL CONTRACT DRAWING  
 SIGNED AND SEALED BY  
 V.S. WALACE, P. ENG.  
 MAY 14, 2004

**APECM**  
 Certificate of Authorization  
 SMS Engineering Ltd.  
 No. 166 Expiry: April 30, 2006

Drawings and specifications, as instruments of service are the property of the architect. The copyright in the same being reserved to him. No reproduction may be made without the permission of the architect and when made, shall bear his name. All rights are reserved to the architect. The contractor shall verify dimensions and data noted herein with conditions on the site and is held responsible for reporting any discrepancy to the architect for adjustment. This drawing shall not be used for building purposes until countersigned by:

THE CITY OF WINNIPEG

OFFICE ADDITION AND RENOVATION  
 1155 PACIFIC AVENUE  
 WINNIPEG, MANITOBA



CONTRACTOR: M2.6A B  
 H.V.A.C.

**RECORD DRAWING**  
 CONTRACTOR: MANTEC MECHANICAL CONTRACTORS AND AIR CONDITIONING LTD.  
 1344 SPRUCE STREET  
 WINNIPEG, MANITOBA  
 R3E 2V7  
 PH: 783-2234 FAX: 783-2235  
 DATE COMPLETED: MARCH 14, 2007  
 SIGNED BY: BLUD MELNYK  
 NOTICE: THIS RECORD DRAWING HAS BEEN PREPARED, BASED UPON INFORMATION FURNISHED BY OTHERS. WHILE THIS INFORMATION IS BELIEVED TO BE RELIABLE, THE CONSULTANT CANNOT ASSURE ITS ACCURACY, AND THIS IS NOT RESPONSIBLE FOR ANY ERRORS OR OMISSIONS WHICH MAY HAVE BEEN INCORPORATED INTO IT AS A RESULT.