

Silencer Tag: **SA-5**
 System: -
 Model: **PREL**
 System Type: **Supply**
 Flow: **13500 cfm**
 Face Velocity: **1500 fpm**
 Pressure Drop: **0.15 in WG**

Frequency (Hz)	63	125	250	500	1000	2000	4000	8000
IL @ 0 fpm	4	5	8	12	17	17	18	10
DIL @1500 fpm	3	4	7	11	16	16	17	9
GN @1500 fpm	59	51	44	41	40	42	40	37

Construction: **HTL-1**
 Casing: **Galv Sht 16 GA**
 Perf: **Galv Perf 22 ga**
 Media: **Acoustic Media**
 Media Protection: **Fiberglass Cloth**
 Inlet Connection: **2in Slip**
 Outlet Connection: **2in Slip**

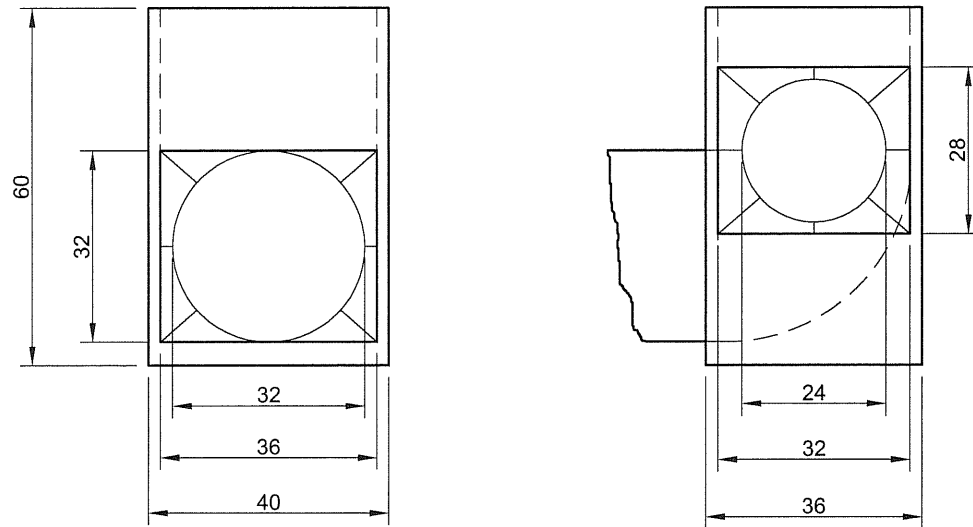
Qty	Item	Unit Wt.	Total Wt.
1	PREL Silencer	205 lbs	205 lbs

Submitted for Approval

Notes:

Contractor to install square to round transitions as required

Contractor to confirm all dimensions prior to release for fabrication



Silencer Performance is derived from in-house and independent testing performed in accordance with ASTM Testing Methods for Prefabricated Silencers.

					This document contains material and/or information which is the property of VAW Systems Ltd. and is supplied only on a confidential basis. No reproduction, transmittal, or disclosure shall be made by any person, firm, or corporation without the prior written approval of VAW Systems Ltd.	Unless Otherwise Specified: -Dimensions are in inches. -Dimensions shown are nominal. For information on manufacturing tolerances contact VAW Systems Ltd.		VAW Systems NOISE CONTROL		
						1300 Inkster Blvd., Winnipeg, Manitoba, Canada www.vawsystems.com		CUSTOMER Midwest Engineering Ltd.		
						SCALE NTS		PROJECT Winnipeg Waste / Water Office - Pacific Ave		
						DATE 28-JUN-07		DWG TITLE PREL Silencer		
						DWN BY BCN		GENERAL Arrangement		
					MODEL No. PREL		SIZE A DWG No. SA-1_2_5		REV A	SHT 1 of 1
A	FIRST ISSUE	29-JUN-07	BCN							
REV	DESCRIPTION	DATE ISSUED	BY	APR. BY						
REVISIONS										