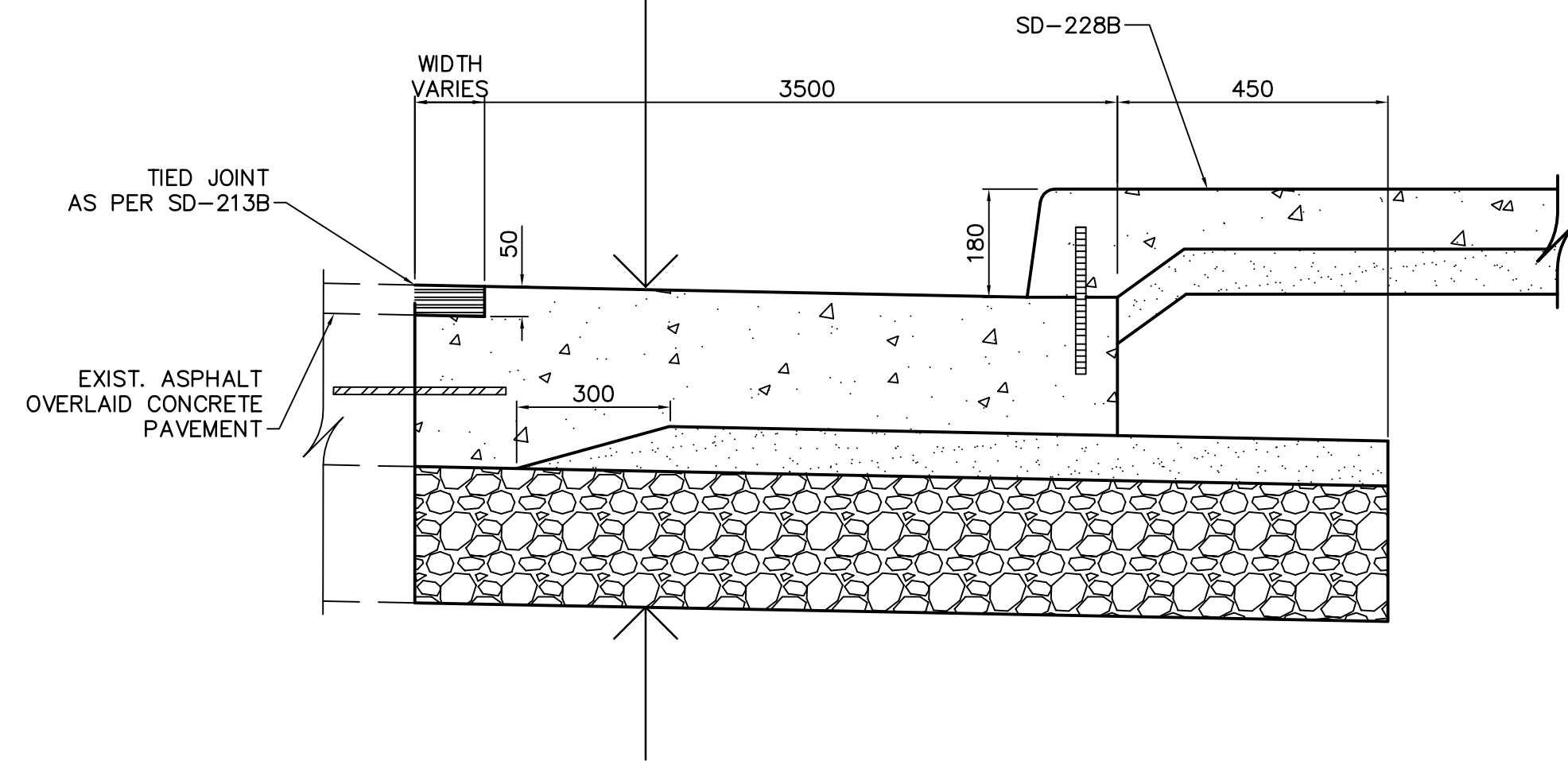
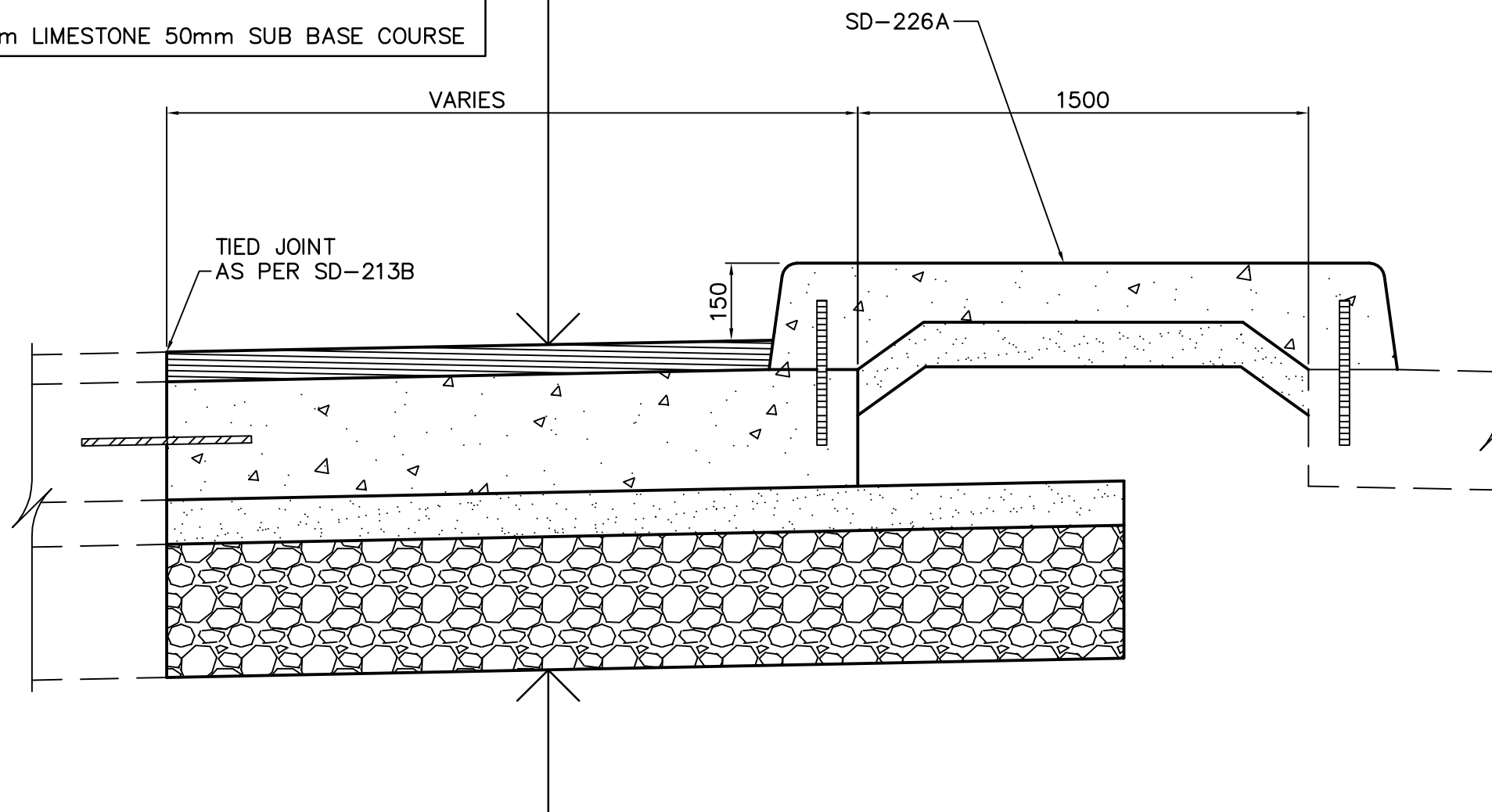


TYPICAL PAVEMENT SECTION
 230mm PLAIN DOWELLED TINTED CONCRETE
 75mm CRUSHED LIMESTONE BASE COURSE
 225mm LIMESTONE 50mm SUB BASE COURSE



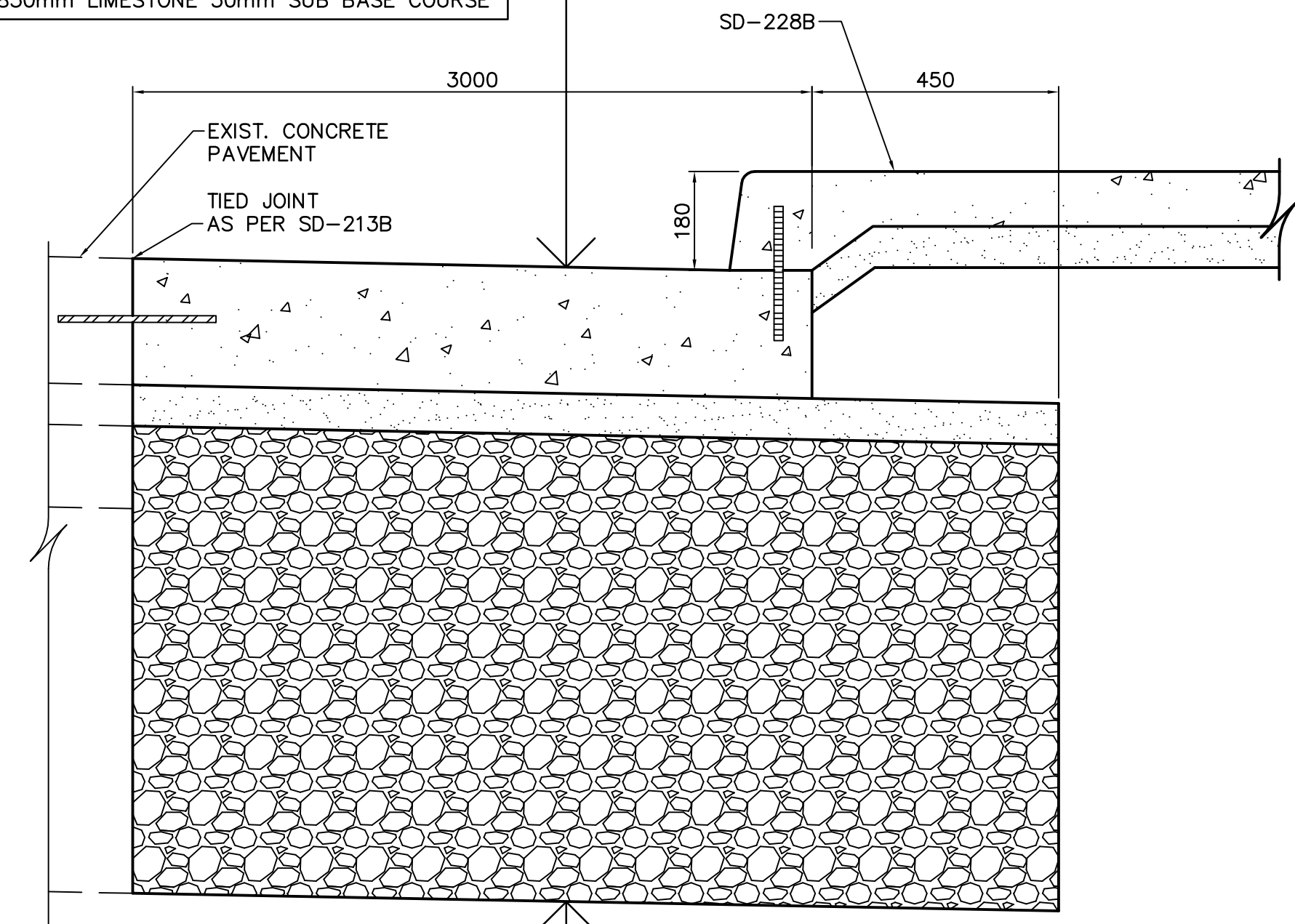
SECTION 1
 SCALE 1:10

TYPICAL PAVEMENT SECTION
 50mm ASPHALT OVERLAY
 200mm PLAIN DOWELLED TINTED CONCRETE
 75mm CRUSHED LIMESTONE BASE COURSE
 225mm LIMESTONE 50mm SUB BASE COURSE



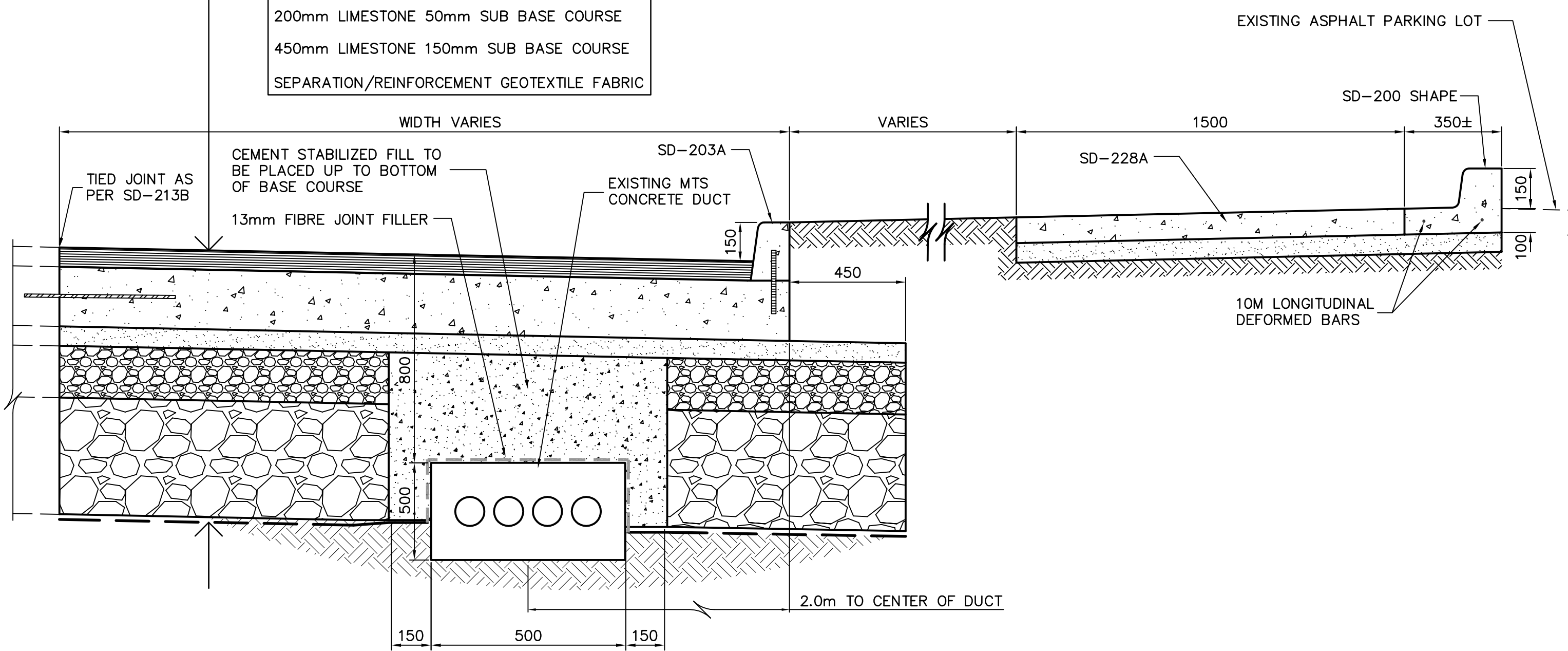
SECTION 4
 SCALE 1:10

TYPICAL PAVEMENT SECTION
 230mm PLAIN DOWELLED TINTED CONCRETE
 75mm CRUSHED LIMESTONE BASE COURSE
 850mm LIMESTONE 50mm SUB BASE COURSE



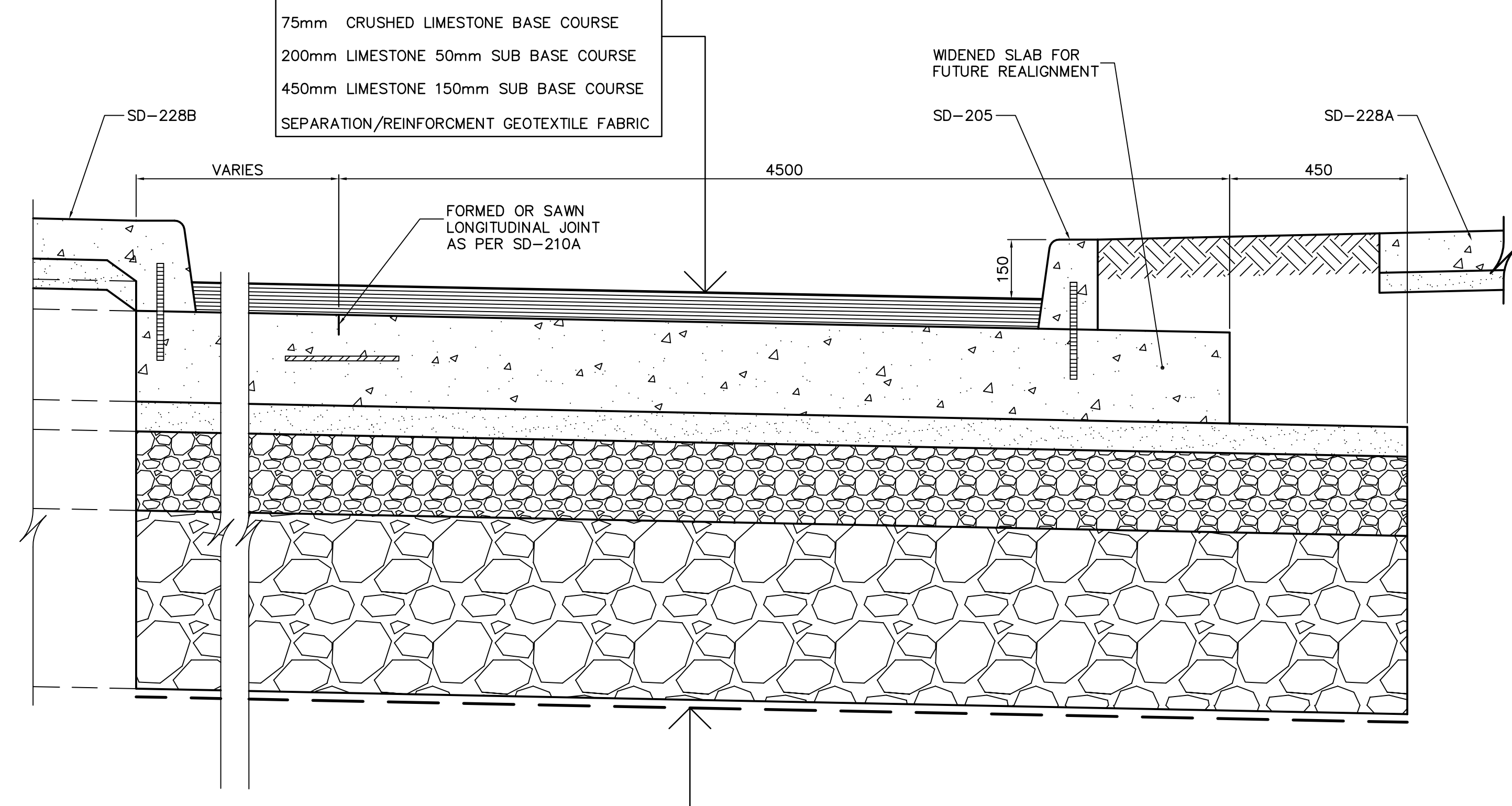
SECTION 2
 SCALE 1:10

TYPICAL PAVEMENT SECTION
 75mm ASPHALT OVERLAY
 230mm PLAIN DOWELLED CONCRETE
 75mm CRUSHED LIMESTONE BASE COURSE
 200mm LIMESTONE 50mm SUB BASE COURSE
 450mm LIMESTONE 150mm SUB BASE COURSE
 SEPARATION/REINFORCEMENT GEOTEXTILE FABRIC



SECTION 3
 SCALE 1:15

TYPICAL PAVEMENT SECTION
 75mm ASPHALT OVERLAY
 230mm PLAIN DOWELLED TINTED CONCRETE
 75mm CRUSHED LIMESTONE BASE COURSE
 200mm LIMESTONE 50mm SUB BASE COURSE
 450mm LIMESTONE 150mm SUB BASE COURSE
 SEPARATION/REINFORCEMENT GEOTEXTILE FABRIC



SECTION 5
 SCALE 1:10

WARNING

IF POWER EQUIPMENT OR EXPLOSIVES ARE TO BE USED FOR EXCAVATION ON THIS PROJECT THE CONTRACTOR MUST:

1. NOTIFY THE GAS COMPANY OF THE PROPOSED LOCATION OF EXCAVATION.
2. TAKE PRECAUTION TO AVOID DAMAGE TO GAS COMPANY INSTALLATIONS SEE PROVINCIAL REGULATION 210/72 FOR DETAILS

METRIC

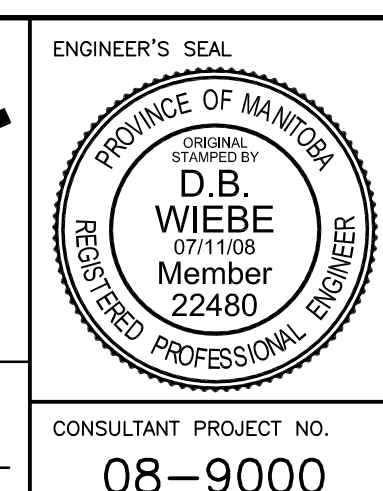
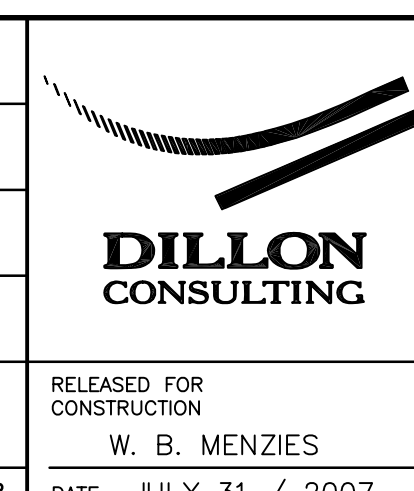
WHOLE NUMBERS INDICATE MILLIMETRES
 DECIMALIZED NUMBERS INDICATE METRES

UNDERGROUND STRUCTURES
 ORIGINAL SIGNED BY:
 JIM HORNE AUG 27/07 FOR
 SUPV. U/G STRUCTURES DATE
 COMMITTEE

NOTE:
 LOCATION OF UNDERGROUND STRUCTURES AS SHOWN ARE BASED ON THE BEST INFORMATION AVAILABLE, BUT NO GUARANTEE IS GIVEN THAT ALL EXISTING UTILITIES ARE SHOWN OR THAT THE GIVEN LOCATIONS ARE EXACT. CONFIRMATION OF EXISTENCE AND EXACT LOCATION OF ALL SERVICES MUST BE OBTAINED FROM THE INDIVIDUAL UTILITIES BEFORE PROCEEDING WITH CONSTRUCTION.

B.M. ELEV.				
DESIGNED BY	S.P.C.			
DRAWN BY	A.J.P.			
CHECKED BY	D.B.W.			
APPROVED BY				
HOR. SCALE	AS SHOWN			
VERTICAL				
NO.	REVISIONS	DATE	BY	DATE
2	ISSUED FOR TENDER	07-11-08	D.B.W.	
1	ISSUED FOR REVIEW	05-23-08	D.B.W.	

RELEASED FOR CONSTRUCTION
 W. B. MENZIES
 DATE MARCH 28, 2008



THE CITY OF WINNIPEG
 TRANSIT DEPARTMENT

ON STREET TRANSIT
 PRIORITY IMPROVEMENTS - PHASE 2

SECTIONS AND DETAILS

CITY DRAWING NUMBER
 SHEET 5 OF 6

CONSULTANT PROJECT NO.
 08-9000

RELEASED FOR CONSTRUCTION
 W. B. MENZIES
 DATE JULY 31 / 2007