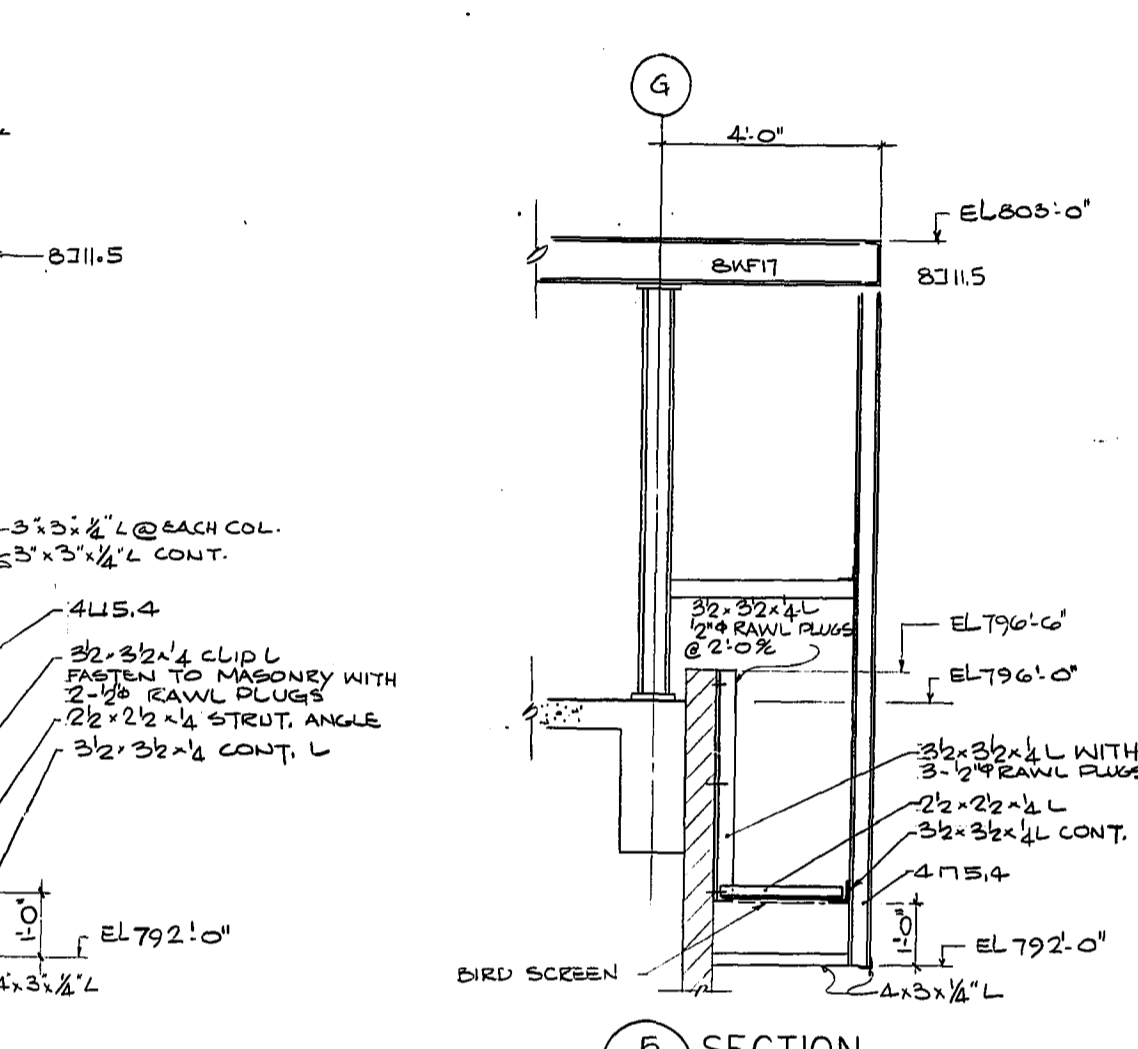
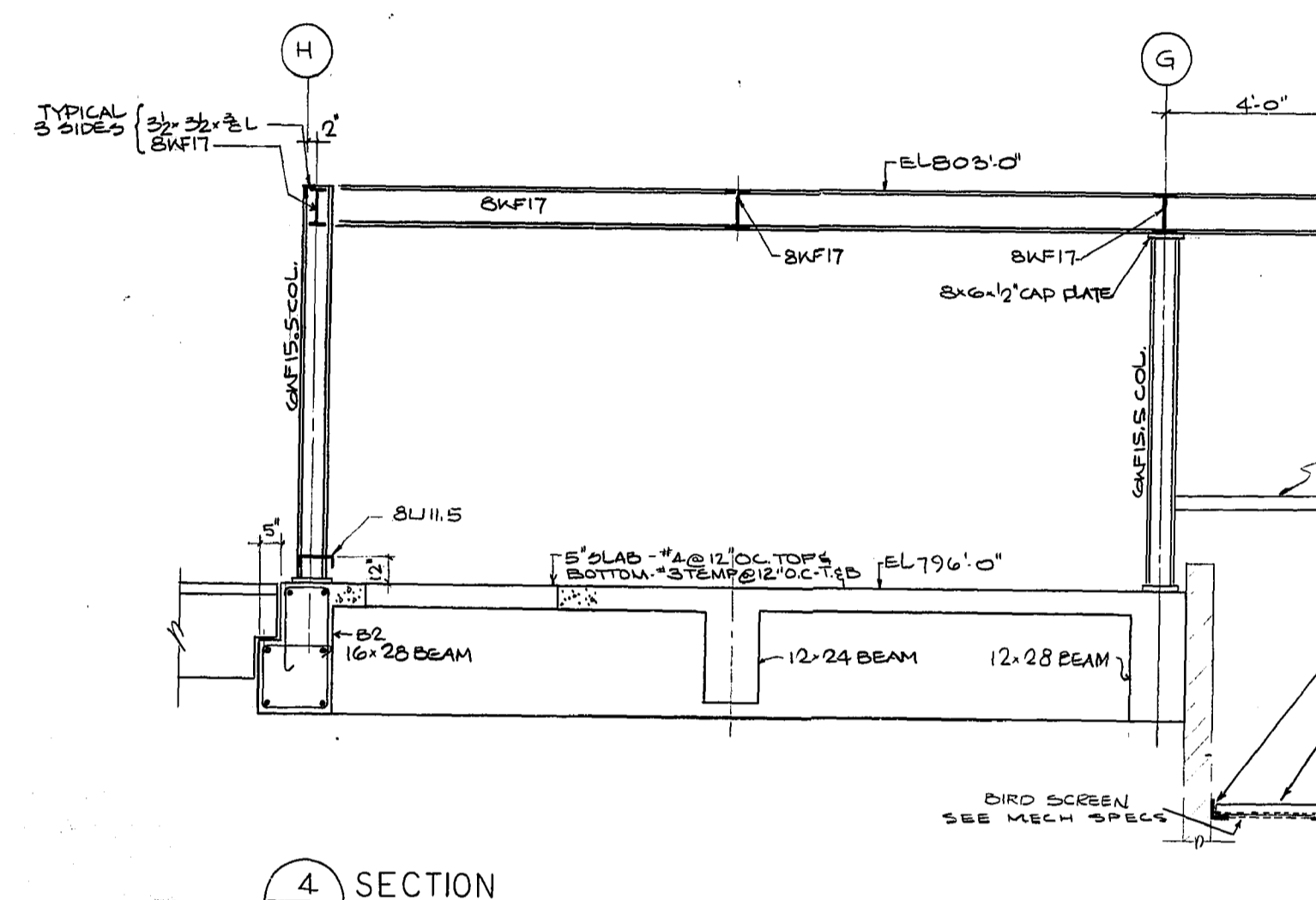
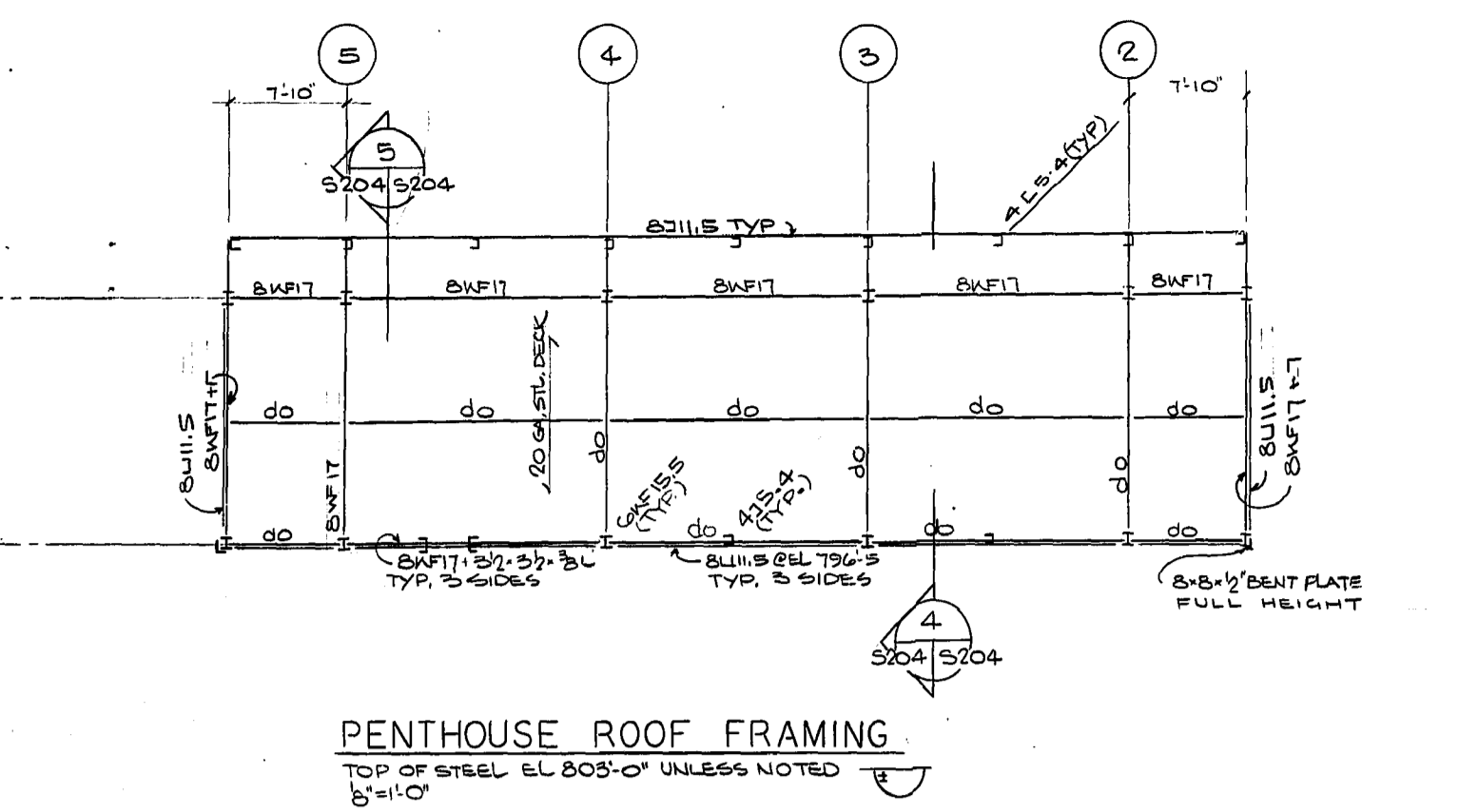
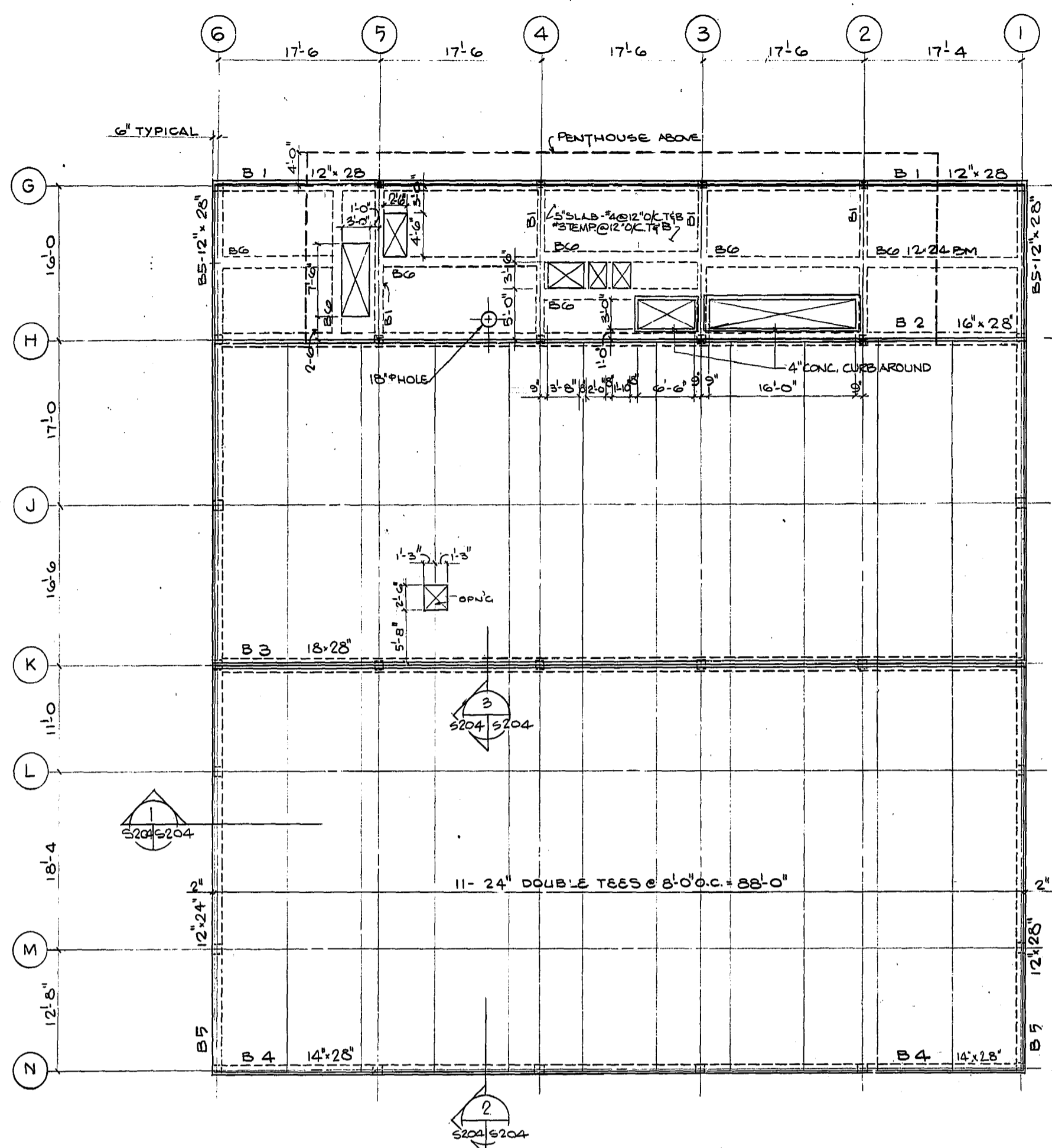
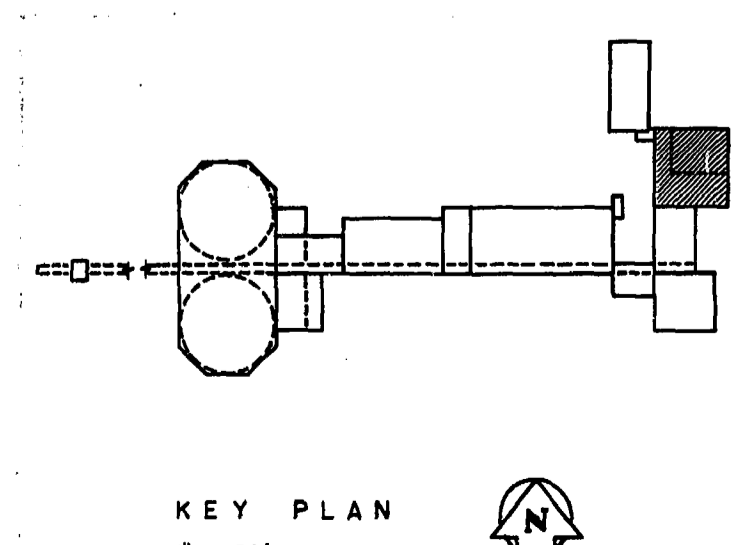
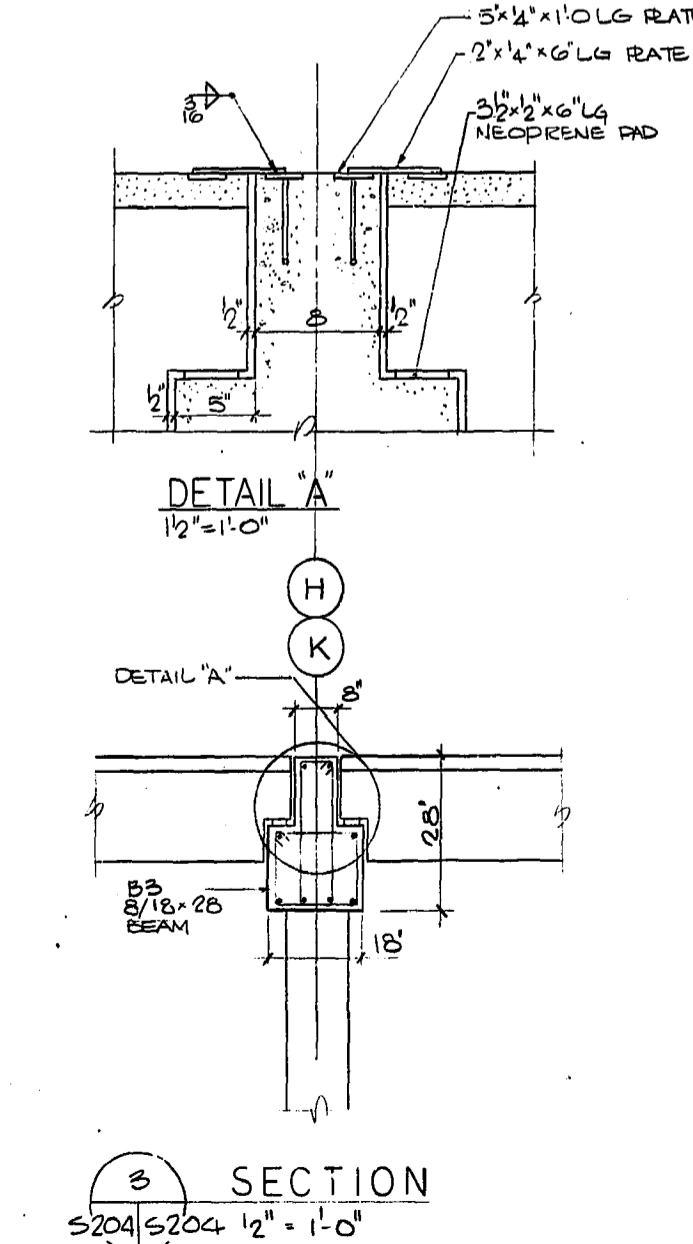
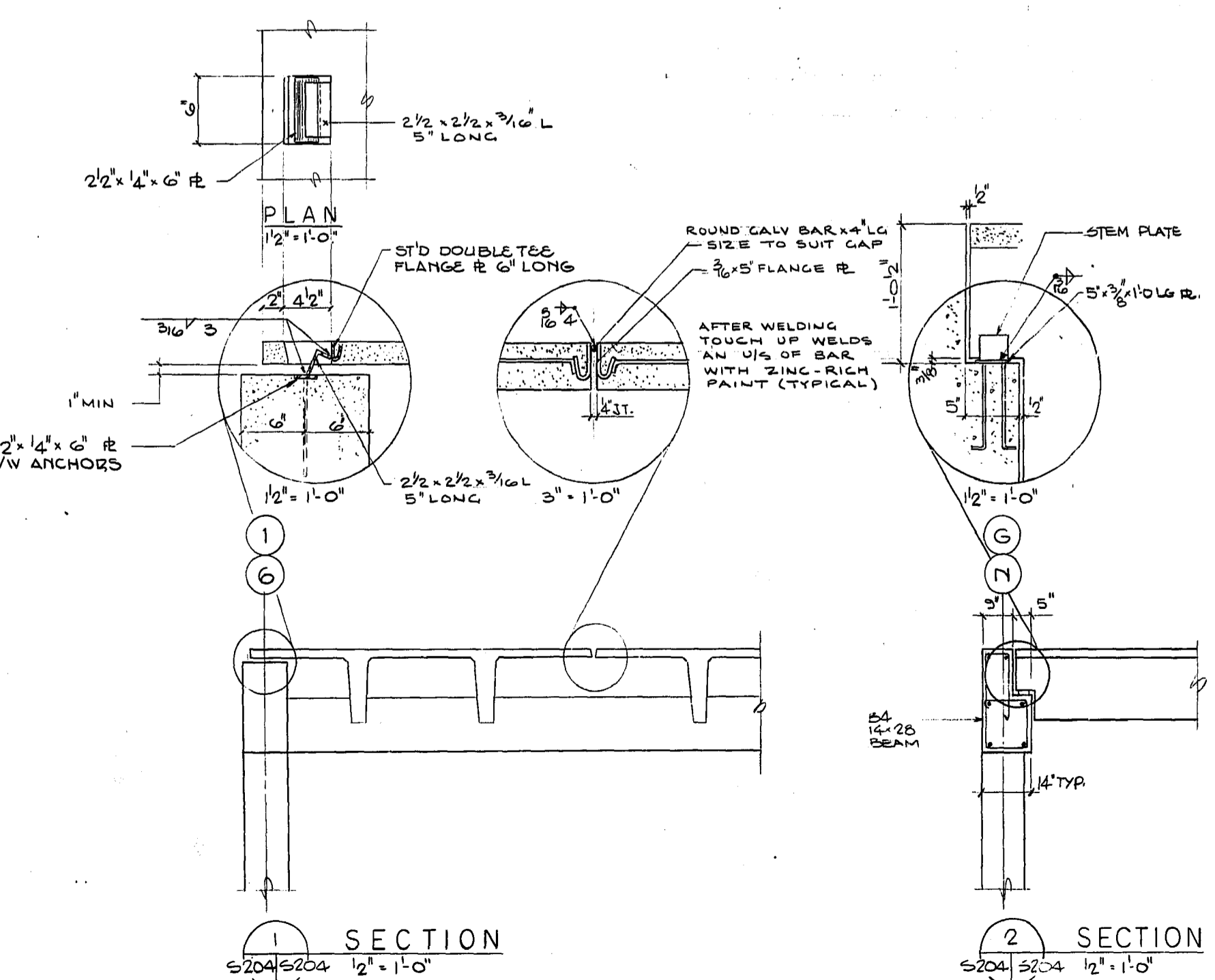
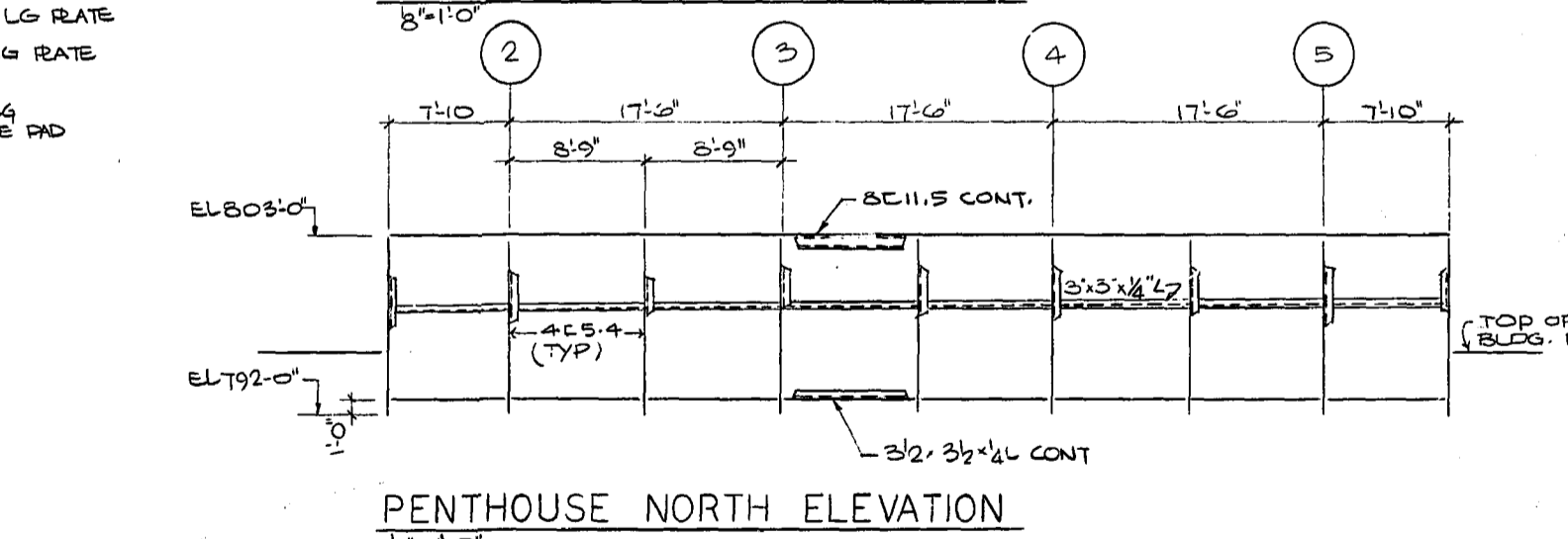
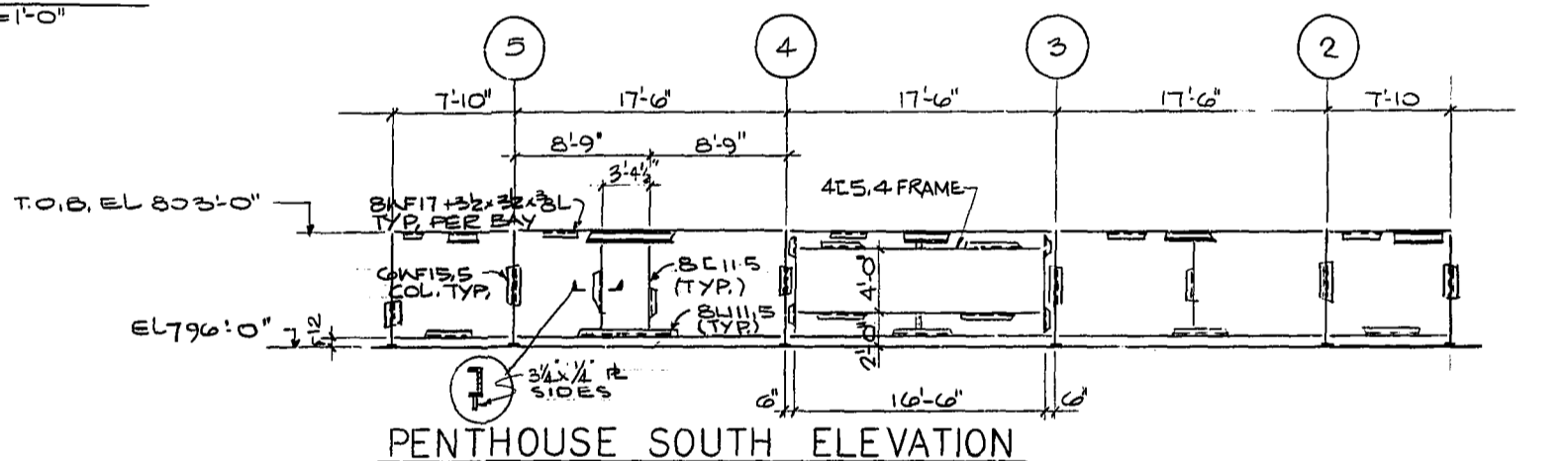


BEAM SCHEDULE		
MARK	B & D	REINFORCING
B1	12x28	3-#8 TOP & BTM, #3@12" STIRRUPS
B2	16x28	2-#9 TOP, 2-#7 MIDDLE, 3-#8 BTM #3@18" STIRRUPS, 1#4" REST@24"
B3	8/18x28	2-#9 TOP, 2-#7 MIDDLE, 4-#8 BTM #3@9" STIRRUPS, 1#4" REST@12"
B4	14x28	2-#9 TOP, 2-#7 MIDDLE, 3-#8 BTM #3@18" STIRRUPS, 1#4" REST@24"
B5	12x24	2-#8 TOP & BTM, #3@12" STIRRUPS
B6	12x24	2-#8 TOP & BTM, #3@12" STIRRUPS



ROOF FRAMING PLAN TOP OF FT. EL. 796'-0"
1/2" = 1'-0"



AS - BUILT
DATE: FEB. NO. PAGE
20-7-74

REVISIONS

No.	DATE	DESCRIPTION

THE METROPOLITAN CORPORATION OF GREATER WINNIPEG
WATERWORKS & WASTE DISPOSAL DIVISION
A. PENMAN - DIRECTOR

W. L. WARDROP & ASSOCIATES LTD.
ENGINEERING CONSULTANTS
WINNIPEG - THUNDER BAY - REGINA - TORONTO

SOUTH END WATER POLLUTION CONTROL CENTRE
PUMP & SCREEN BLDG. - STRUCTURAL
ROOF & PENTHOUSE DETAILS

SCALE: AS SHOWN
DATE: OCTOBER 1971
APPROVED (W.L.W.)
W.L.W. FILE NO. 70012-01-S204

ENGINEER OF DESIGN
ENGINEER OF OPERATIONS
APPROVED (METRO)
DRAWING NO. S.E.P. - 28