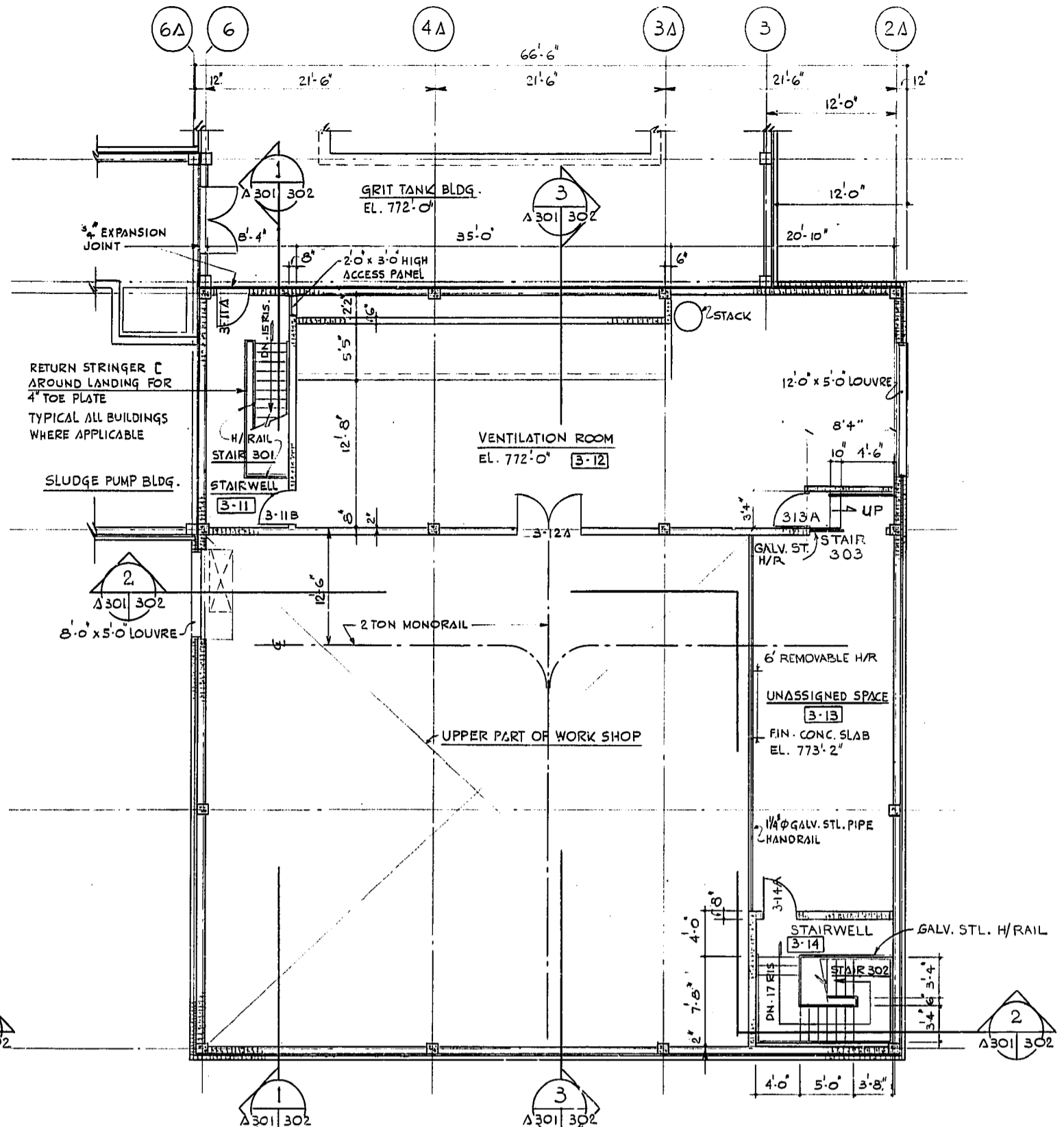
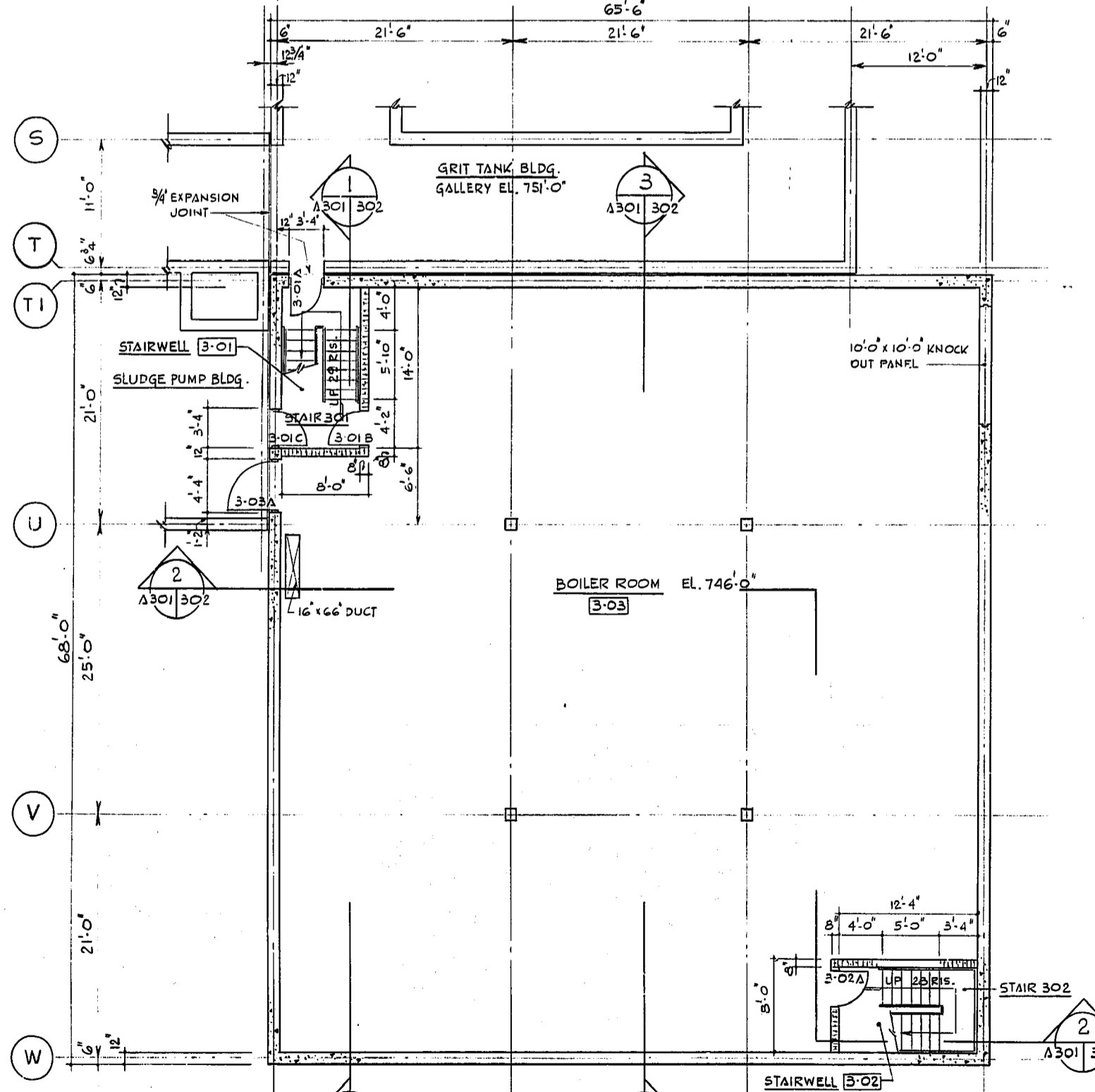


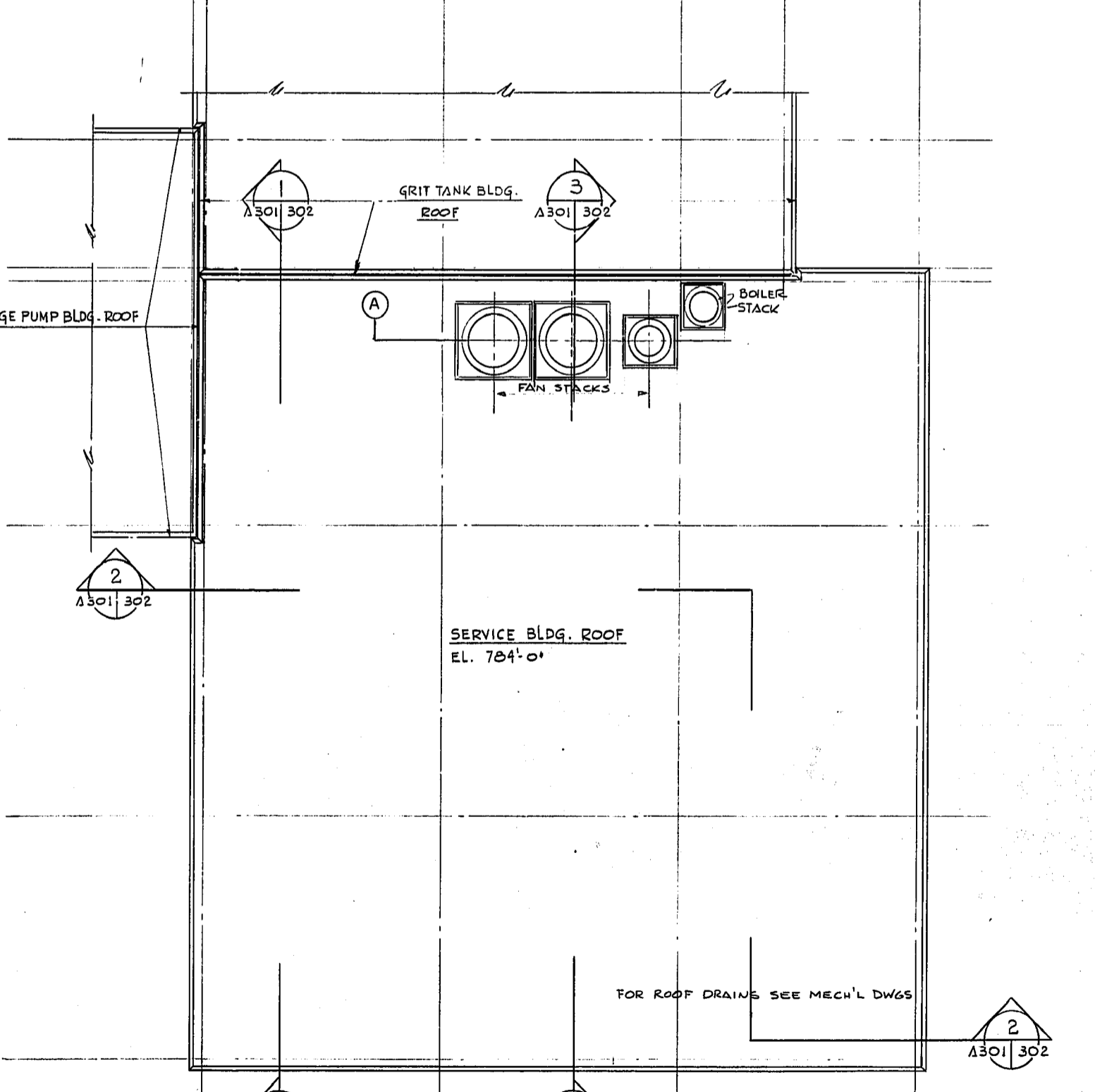
PLAN AT ELEVATION 763'-0"  
1/8" = 1'-0"



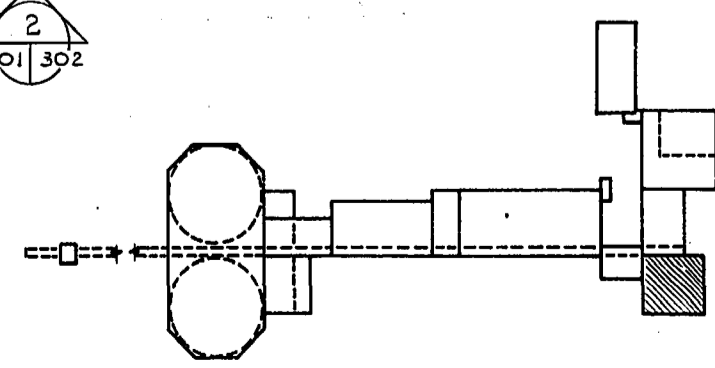
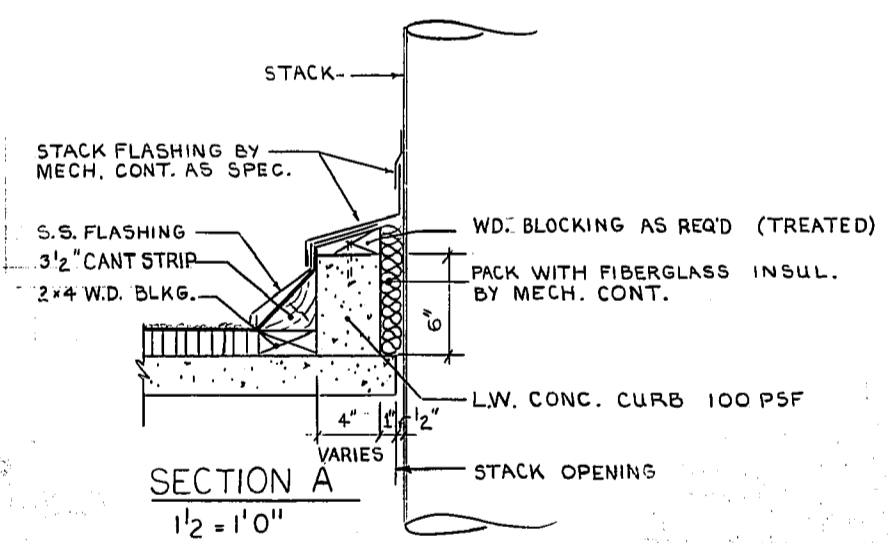
PLAN AT ELEVATION 772'-0"  
1/8" = 1'-0"



PLAN AT ELEVATION 746'-0"  
1/8" = 1'-0"



ROOF PLAN  
1/8" = 1'-0"



KEY PLAN  
1" = 150'

AS - BUILT  
DATE: MAY 1974  
FB. NO.:  
PAGE:

REVISIONS			THE METROPOLITAN CORPORATION OF GREATER WINNIPEG WATERWORKS & WASTE DISPOSAL DIVISION A. PENMAN - DIRECTOR	
NO.	DATE	DESCRIPTION		

<b>W. L. WARDROP &amp; ASSOCIATES LTD.</b> ENGINEERING CONSULTANTS WINNIPEG - THUNDER BAY - REGINA - TORONTO	
<b>SOUTH END WATER POLLUTION CONTROL CENTRE</b> SERVICE BUILDING ARCHITECTURAL FLOOR & ROOF PLANS	
SCALE: AS SHOWN DATE: OCTOBER 1971 APPROVED (W.L.W.): W.L.W. FILE NO.: 70012-01-A301	ENGINEER OF DESIGN: L. J. EIBNER REGISTERED ENGINEER ENGINEER OF OPERATIONS: S. E. P.

